



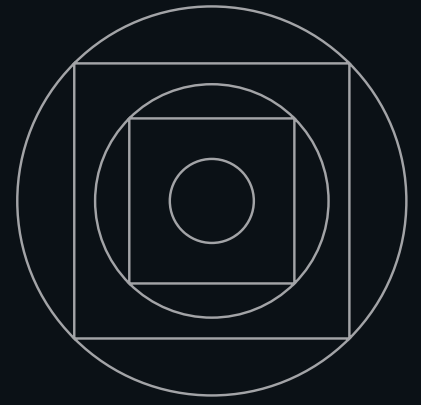
Professional
Lighting

Product
Catalogue

2024

Current

CONTENTS



01



Industrial
Lighting

KNIGHT	13
LINEAR G4	23
KLEAN	26
LuminFrite	30
LuminLite	35
WAP G2	38
LuminWok	40
PROCLEAN	43
PROCLEAN Teardrop	46
ARES Linear	49
ARES Round	54
VELA	59
HID Retrofit LED Lamp	62

02



City/Urban
Lighting

R Series	72
GRM	76
ePower	87
ePG	94
HarLite	103
Scalable G2	106
Area Lighter XL	110
Area Lighter	113
Bekon	116
Teson	120

03



Commerical/Indoor
Lighting

I-Light	130
Hemisphere	133
Byline Pro	137
Byline ECO	142
YeL	144

04



Disinfection for
Occupied Spaces

UKK	156
UKF	159
UKT	162

05



LED Tube

covRguard T8	166
NANO/SG	168
VG	169
TOP	170
BET/TOP T5	171
PG/DG/MWT	172
GLD	173

06



Wireless Controls

Daintree®

175

Advanced Lighting, Inspired by You.



At Current, inspiration flows both ways. In providing the lighting and controls solutions that help create beautiful, functional and safe environments, we're inspired by the people who live, work and play in those spaces.

We're also passionate about helping our customers solve complex challenges and see results, with reliable performance, responsive service, and the uncompromising quality you expect from an industry leader.

Our Purpose

To make a sustainable difference for the planet and people's lives with advanced lighting and intelligent controls.

Our Mission

Meet our customers' varied needs with smart sustainable lighting solutions that create safer, efficient, inspiring environments.

Current's Commitment to You

Bold in Action

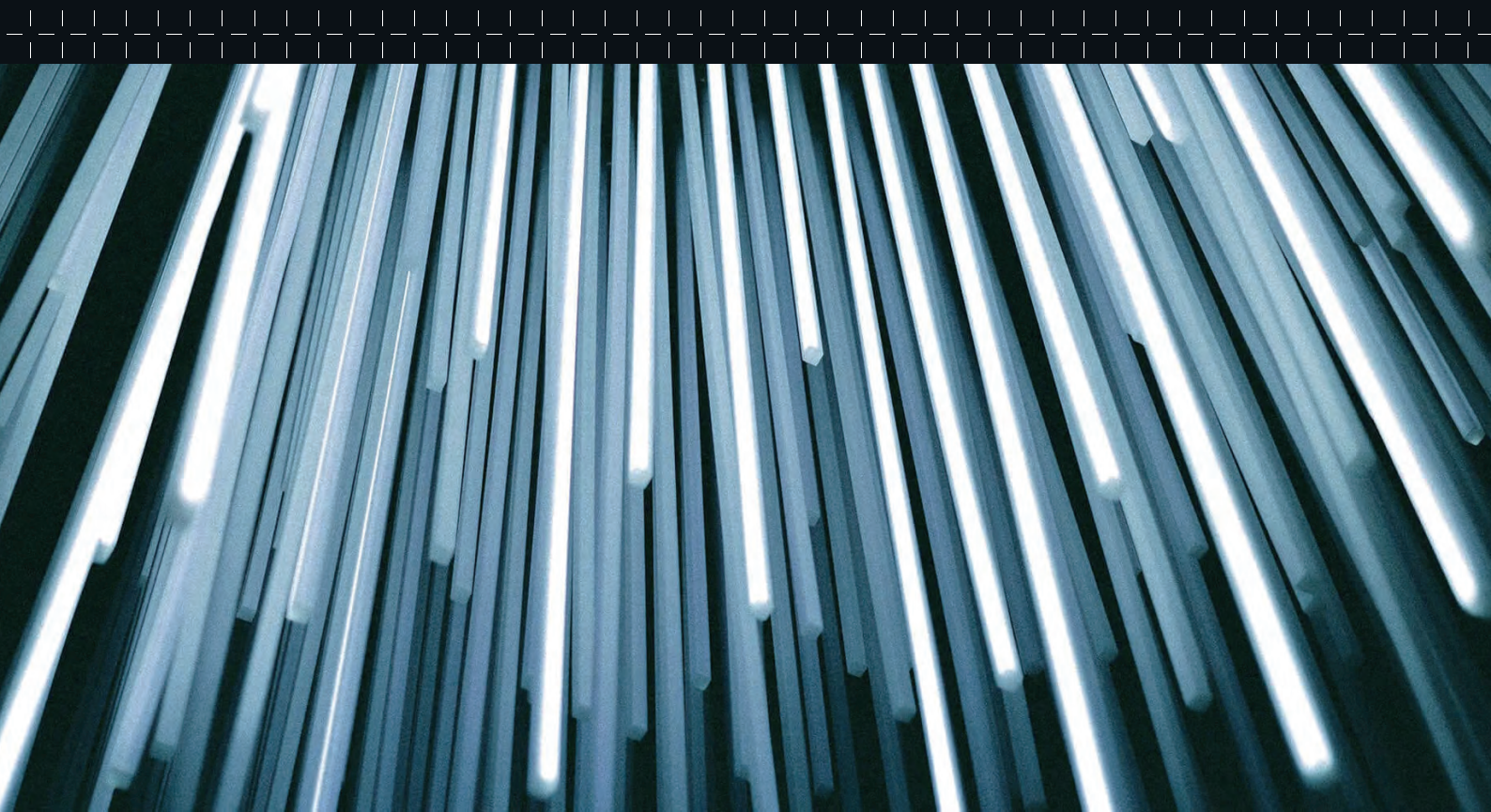
We embrace change and take risks to bring solutions that meet the challenge, move us forward, and make our customers successful.

Outcome Driven

We deliver on our promises, predicting and removing obstacles to create a clear path to visible results.

Doing Right

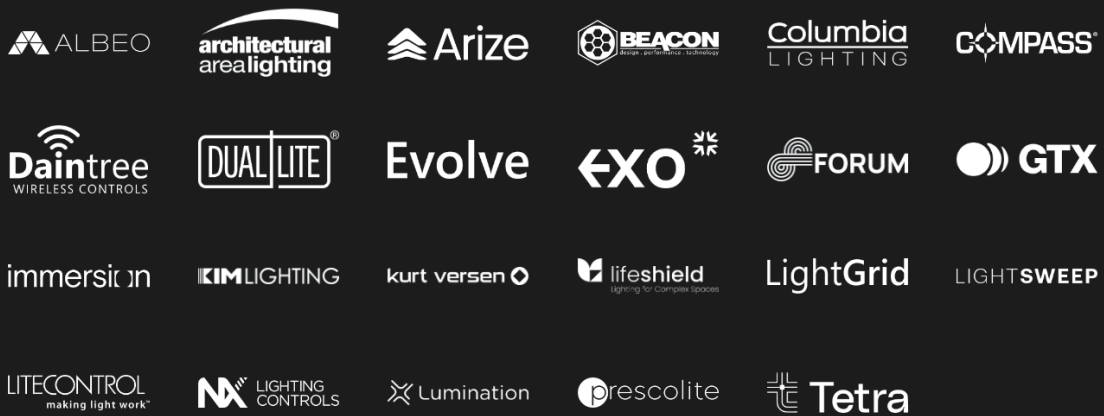
We never compromise when it comes to quality or reliability, and take our responsibilities to our customers, people and the planet seriously.



Sustainability

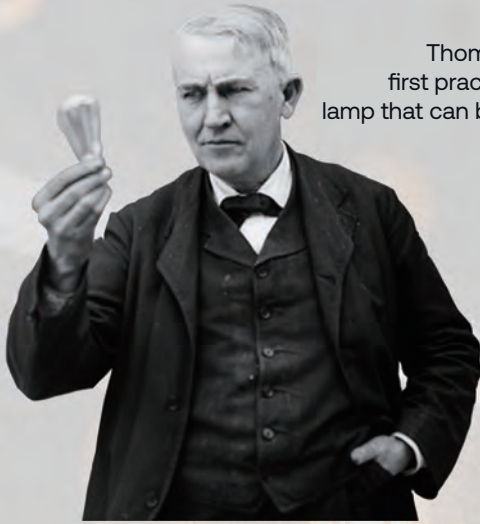
We are committed to environmental sustainability and social responsibility.
It's rooted in our Values and woven into our global operation.

Current's Brand Portfolio



Proud Members of





1879

Thomas Edison creates first practical incandescent lamp that can be mass produced

1892

General Electric was formed



1962

First LED that emits "RED" light in the visible spectrum

1998

Launched commercial LED lighting business

2006

Invests 100M into LED business, forms GELcore

2012

Acquired Albeo high bay fixtures

2016

Daintree Acquisition

current
powered by GE

2019

American Industrial Partners completes acquisition of Current, powered by GE

GE current
a Daintree company

2020

Disinfection for occupied spaces



2021

Acquired Forum & Hubbell Commercial and Industrial Lighting

Current

2022

NEW Logo



Industrial
Lighting



Industrial

Lighting Solutions

Current 



Industrial

Lighting Solutions



Automotive Plants



Storage Areas



Gymnasiums



Industrial Parking Lots



Loading Docks



Parking Garage

Commercial-Indoor

In industrial and warehouse settings, lighting must be energy efficient, promote the safety and productivity of workers, be easy to maintain, and comply with a variety of building codes depending on the environment. That's why Current offers a line of innovative indoor LED fixtures for use in a variety of operating conditions.

Commercial-Outdoor

Choose Current outdoor commercial luminaires for roadway lighting, area lighting, flood lighting, tunnel lighting and other commercial outdoor lighting applications.

Current®
Industrial Portfolio

NSF Rated Applications

Our LED fixtures offer NSF and IP rating for a variety of demanding environments. Ideal for areas that may include wet and/or corrosive environments where sealed fixtures are required due to the levels of splash zone.

Hazardous Locations

Our LED fixtures offer hazardous location lighting rated for Class 1, Division 2, Groups A, B and C. Suitable for new construction and perfect for high ambient temperatures and wet rated locations. Ideal for areas where explosive vapors and/or fumes are present and Class/Division rated fixtures are required.



Food Processing



Cafeterias/Kitchens



Cold Storage



Oil Refineries



Petro Chemical Plants



Nuclear Power Plants



Daintree



IP Rating



QuickStock

HIGH BAYS

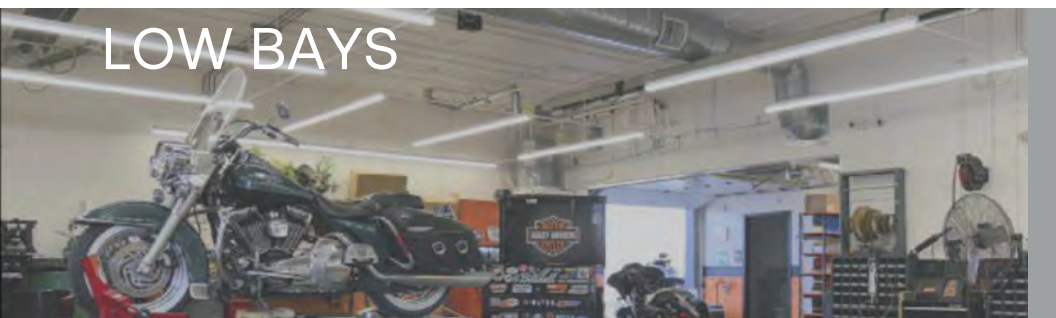
Current's LED industrial portfolio offers a wide variety of **Commercial Albeo® indoor high bay** lighting fixtures to meet all application needs, including warehouse lighting, recreation center lighting, hangar lighting and storage lighting. Current's LED indoor lighting fixtures provide industrial and commercial lighting to help improve safety and energy efficiency while enhancing productivity. Designed for applications of 20 feet (6 meters) or more.



KNIGHT G4

KNIGHT HT

LINEAR G4



Daintree



IP Rating



QuickStock

LOW BAYS

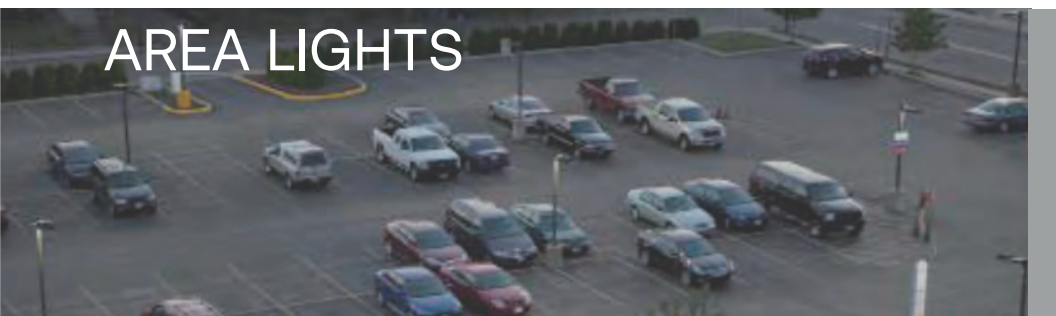
Current's LED industrial portfolio offers a wide variety of **Commercial Albeo® indoor low bay** lighting fixtures to meet all application needs, including warehouse lighting, recreation center lighting, hangar lighting and storage lighting. Current's LED indoor lighting fixtures provide industrial and commercial lighting to help improve safety and energy efficiency while enhancing productivity. Designed for low mounting heights of 20 feet (6 meters) or less.



LuminFrite

LuminLite

WAP G2



Daintree



IP Rating



QuickStock

AREA LIGHTS

Current's LED industrial portfolio offers a wide variety of **Commercial Evolve® outdoor area lights** providing reduced offsite visibility as well as effective security light levels. They can yield a significant reduction in system energy and virtually eliminate ongoing maintenance expenses.



Scalable G2

Area Lighter

Area Lighter XL



COMMERCIAL

What are IP Definitions?

The IP Code, International Protection Marking, IEC standard 60529, sometimes interpreted as Ingress Protection Marking, classifies and rates the degree of protection provided by mechanical casings and electrical enclosures against intrusion, dust, accidental contact, and water.

Solid Level of Ingress Protection		Water Level of Ingress Protection	
1	Protected against a solid object greater than 50mm, such as a hand.	1	Protected against vertical dripping water. Limited liquid entry.
2	Protected against a solid object greater than 12mm, such as a finger.	2	Protected against vertical dripping water when tilted up 15°. Limited liquid entry.
3	Protected against a solid object greater than 2.5mm, such as a screwdriver.	3	Protected against vertical spraying water at an angle up to 60°. Limited liquid entry.
4	Protected against a solid object greater than 1mm, such as most screws and wires.	4	Protected against Water splashing against any directions with no harmful effect. Limited liquid entry.
5	Dust protected. Prevents ingress of dust sufficient to cause harm.	5	Protected against jets of water from all directions. Limited liquid entry.
6	Dust tight. No ingress of dust.	6	Protected against strong jets of water from all directions. Limited liquid entry.
Examples: IP55: Standard protection, able to protect against ingress of dust and powerful water jets. IP67: A NSF level rating, able to protect against Immersion up to 1m.		7	Protected against the effects of water immersion between 15cm & 1m.
		8	Protected against the effects of water immersion between 15cm & 1m.
		9	Protected against against high temperature, high pressure water and stream.

DEMANDING NSF Rated LED Solutions

Understanding National Sanitation Foundation (NSF) Zonal Definitions

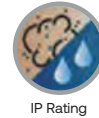
In General Lighting, equipment falls under the Special Equipment/Devices, NSF C-2 listing procedure. This C-2 procedure requires a thorough analysis of the physical design, the distinct properties used by the manufacturer and production of the fixture. Lastly, NSF also investigates the dependability of the manufacturer and its assembly process as it pertains to the listed fixtures.

Below are the NSF certifiable areas where LED tubes play in: **NON-FOOD ZONE, SPLASH ZONE, and FOOD ZONE.**

NSF Certification	Location Descriptions	Typical Lighting Applications
NON-FOOD ZONE	<p>Examples:</p> <ul style="list-style-type: none"> • No direct contact with food products • Cleaning solvents <p>Design considerations:</p> <ul style="list-style-type: none"> • Resistance to cleaning solvents (on lens, housing, etc.) • Glass breakage (prevent contaminating food products) 	<ul style="list-style-type: none"> • Kitchens • Food Storage • Dry process areas • Damp process areas - no drip possibility
SPLASH ZONE	<p>Examples:</p> <ul style="list-style-type: none"> • No direct contact with food products • High-pressure wash-downs <p>Design considerations:</p> <ul style="list-style-type: none"> • Durable and water-shedding • Resistance to harsh cleaning solvents • Glass breakage (prevent contaminating food products) 	<ul style="list-style-type: none"> • Wet or damp process areas • High pressure purging or decontamination used • Areas using hose -washdown
FOOD ZONE	<p>For areas where direct contact with food products is expected and surfaces from which the food may drip, drain, or splash back onto areas normally in contact with food</p>	<ul style="list-style-type: none"> • Food Processing • Industrial



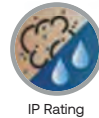
NSF LOW BAYS



LuminFrite

Current's LED industrial portfolio offers a wide variety of **Albeo® Demanding indoor low bay** lighting fixtures to meet all application needs, including food processing plants and packaging areas. Current's LED indoor lighting fixtures provide industrial and commercial lighting to help improve safety and energy efficiency while enhancing productivity. Designed for low mounting heights of 20 feet (6 meters) or less.

NSF HIGH BAYS



KLEAN

Current's LED industrial portfolio offers a number of **Albeo® Demanding NSF Splash Zone, Food Zone, and Non-Food Zone Rated high bay luminaires** to meet demanding applications such as processing plants, packaging areas, washdown and food processing spaces. Current's LED indoor lighting fixtures help improve safety and energy efficiency while enhancing productivity. Designed for applications of 20 feet (6 meters) or more.

NSF TUBES



covRguard

Current's LED industrial portfolio offers **Demanding NSF Splash Zone and Food Zone Rated indoor LED Tube lighting solutions** to meet all application needs, including food processing plants and packaging areas. It provides a value-focused LED solution to help improve safety and energy efficiency while enhancing productivity. Current offers both shatter containment (PET Coated Glass) and shatter resistance and certified drop test containment (covRguard® Heat-sealed polycarbonate sleeved Glass) tubes that are NSF rated. PET Glass is NSF Splash Zone Rated, whereas covRguard® tubes are NSF Food Zone rated.

HAZARDOUS LED Solutions

What's Considered a Hazardous Location?

Hazardous ratings are critical for the following applications: refineries, drilling rigs, petrochemical facilities, food & beverage facilities, and other heavy industrial areas where flammable vapors, gases, ignitable dusts, fibers or flyings are present:

- **Class I:** Natural gas, petroleum and chemicals
- **Class II:** Combustible dusts that can be found inside plastic, coal, pharmaceutical and flour processing locations
- **Class III:** Flammable fibers produced in wood, cotton and textile industries

NEC Class	Division	Typical Atmosphere and Auto Ignition Temperatures	
I GASES, VAPORS	1 Normally hazardous	A	Acetylene (305°C, 581°F)
		B	Hydrogen (502°C, 986°F) manufactured gases containing more than 30% hydrogen (by volume)
		C	ethylene (450°C, 842°F) cyclopropane (503°C, 938°F)
		D	hexanes (225°C, 437 °F) butane (288°C, 550°F) propane (450°C, 842°F) acetone (465°C, 869°F)
	2** Not Normally Hazardous	AB CD	Same as Division 1
II COMBUSTIBLE DUSTS	1 Normally hazardous	E	Metal Dust, including aluminum, magnesium, and their commercial alloys, and other metals of similar hazardous characteristics
		F	Carbon black, coal, coke dust
		G	Flour, starch, grain dusts
	2** Not Normally Hazardous	G	Same as Division 1
III EASILY IGNITABLE FIBERS & FLYINGS	1, 2		Same as Class II, Division 2



ARES EXPLOSION-PROOF LIGHTING FIXTURES



IP Rating

Hazardous Class



ARES Round



ARES Linear

Current's LED industrial portfolio offers **ARES Explosion-proof Light** to meet all application needs, including oil refineries, petrochemical facilities, and other heavy industrial areas where flammable vapors, gases are present. Current's LED indoor lighting fixtures improve safety and energy efficiency while enhancing productivity.

VELA EXPLOSION-PROOF LIGHTING FIXTURES



IP Rating

Hazardous Class



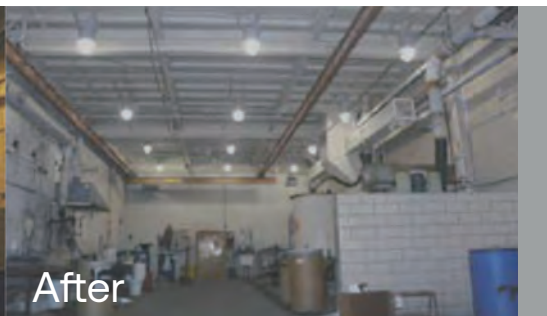
VELA Series

Current's LED industrial portfolio offers **VELA Explosion-proof Lighting Fixture** lighting fixtures to meet all application needs, including oil refineries, petrochemical facilities, food & beverage facilities, and other heavy industrial areas where flammable vapors, gases, ignitable dusts, fibers or flyings are present. Current's LED indoor lighting fixtures improve safety and energy efficiency while enhancing productivity.

HAZARDOUS LAMPS



Before



After



Modular



IP Rating



Hazardous Class



HID Retrofit Lamp

Current's LED industrial portfolio offers a wide variety of **Hazardous indoor LED HID** lamps to meet certain heavy industrial applications where flammable vapors, gases, ignitable dusts, fibers or flyings are present. Current's LED HID Lamps improve safety and energy efficiency while enhancing productivity.

KNIGHT G4



 ALBEO High Bay



Current 



Product Features

Reliable Electrical Performance

- Wide range input voltage workable for heavy industrial applications
- 6KV/10KV surge protection

Superior Light Output

- Up to 210 LPW efficacy, can greatly save electrical cost.
- 60/90/120° light distribution is optional, satisfying all kinds of industrial applications.

Durable Structure

- Die-casting housing, Self-clean appearance
- IP65 & IK10 rating, with respirator suitable for applications where ambient temperature is -40°C to +45°C.



Multiple Options

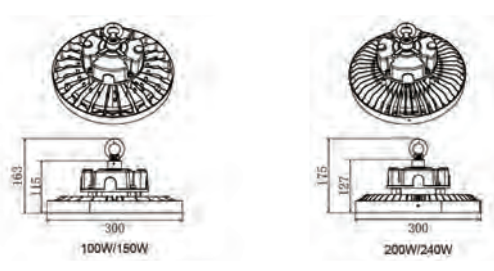
- Motion Sensor:
 - Factory Setting: 100%+ 10-50% standby
 - Remote controller: (on/off, standby light setting, Day Threshold setting)
- Emergency: 90/180 mins
- DALI Dimming



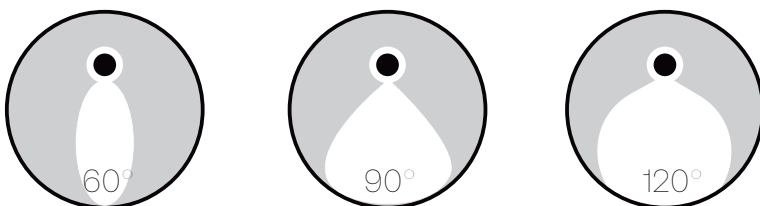
Typical Specifications

System Power	100W	150W	200W	240W
Lumens	16500/18000/21000	24750/27000/31500 lm	33000/36000/42000 lm	38400/42000/46800
System Efficacy	165/180/210 LPW			160/175/195 LPW
CCT	4000/5000/6500K			
CRI	Ra≥70/Ra≥80/Ra≥90			
SDCM	≤5			
Beam Angle	60°/90°/120°			
Input Voltage	110-277V			
Power Factor	≥0.95			
THD	≤15%			
Surge Protection	L-N 6KV,L/N-G 10KV			
Ripple Current Ratio	≤10%			
Dimming	0-10V/DALI			
Control	On-off / Microwave Motion Sensor			
Emergency	Optional			
Protection	IP65/IK10			
Safety Class	Class I			
Housing Material	Die-casting Aluminum			
Anti-condensation	With Respirator			
Working Temperature	-40~+45°C			
Rated Lifetime	50,000hrs			
Mounting	Hook /Chain/Rod/Bracket Mount			

Dimension

	Power	D	H	N.W.
	100W	300 mm	115 mm	2.8 Kg
	150W	300 mm	115 mm	3.2 Kg
	200W	300 mm	127 mm	4.2 Kg
	240W	300 mm	127mm	4.2 Kg

Photometric





Order Logic

KPHBOG 60W J H S W D GEN4

PROD. ID	Power	Efficacy	Mounting	Beam Angle	CCT	Dimming	Generation	Options
KPHBOG: Knight Highbay	100W	T: TriGain	H: Suspension	S: 60°	W: 4000K	D: 0-10V dimming	GEN4:	MS: Motion Sensor
	150W	J: High	M: Barcket	M: 90°	N: 5000K	DA: DALI Dimming	Generation IV	EM: Emergency
	200W	I: Normal		W: 120°	C: 6500K			
	240W							

Order Description

Description	Power	Lumens	Efficacy	CCT	CRI	Beam Angle	Dimming	Control	QTY/CTN
KPHBOG100WIH-SW-D-GEN4	100W	18000 lm	180 LPW	4000K	Ra≥80	60°	0-10V	On/Off	1 pc
KPHBOG100WIH-MW-D-GEN4	100W	18000 lm	180 LPW	4000K	Ra≥80	90°	0-10V	On/Off	1 pc
KPHBOG100WIH-VW-D-GEN4	100W	18000 lm	180 LPW	4000K	Ra≥80	120°	0-10V	On/Off	1 pc
KPHBOG150WIH-SW-D-GEN4	150W	27000 lm	180 LPW	4000K	Ra≥80	60°	0-10V	On/Off	1 pc
KPHBOG150WIH-MW-D-GEN4	150W	27000 lm	180 LPW	4000K	Ra≥80	90°	0-10V	On/Off	1 pc
KPHBOG150WIH-VW-D-GEN4	150W	27000 lm	180 LPW	4000K	Ra≥80	120°	0-10V	On/Off	1 pc
KPHBOG200WIH-SW-D-GEN4	200W	36000 lm	180 LPW	4000K	Ra≥80	60°	0-10V	On/Off	1 pc
KPHBOG200WIH-MW-D-GEN4	200W	36000 lm	180 LPW	4000K	Ra≥80	90°	0-10V	On/Off	1 pc
KPHBOG200WIH-VW-D-GEN4	200W	36000 lm	180 LPW	4000K	Ra≥80	120°	0-10V	On/Off	1 pc
KPHBOG240WIH-SW-D-GEN4	240W	42000 lm	175 LPW	4000K	Ra≥80	60°	0-10V	On/Off	1 pc
KPHBOG240WIH-MW-D-GEN4	240W	42000 lm	175 LPW	4000K	Ra≥80	90°	0-10V	On/Off	1 pc
KPHBOG240WIH-VW-D-GEN4	240W	42000 lm	175 LPW	4000K	Ra≥80	120°	0-10V	On/Off	1 pc
KPHBOG100WJH-SW-D-GEN4	100W	21000 lm	210 LPW	4000K	Ra≥70	60°	0-10V	On/Off	1 pc
KPHBOG100WJH-MW-D-GEN4	100W	21000 lm	210 LPW	4000K	Ra≥70	90°	0-10V	On/Off	1 pc
KPHBOG100WJH-VW-D-GEN4	100W	21000 lm	210 LPW	4000K	Ra≥70	120°	0-10V	On/Off	1 pc
KPHBOG150WJH-SW-D-GEN4	150W	31500 lm	210 LPW	4000K	Ra≥70	60°	0-10V	On/Off	1 pc
KPHBOG150WJH-MW-D-GEN4	150W	31500 lm	210 LPW	4000K	Ra≥70	90°	0-10V	On/Off	1 pc
KPHBOG150WJH-VW-D-GEN4	150W	31500 lm	210 LPW	4000K	Ra≥70	120°	0-10V	On/Off	1 pc
KPHBOG200WJH-SW-D-GEN4	200W	42000 lm	210 LPW	4000K	Ra≥70	60°	0-10V	On/Off	1 pc
KPHBOG200WJH-MW-D-GEN4	200W	42000 lm	210 LPW	4000K	Ra≥70	90°	0-10V	On/Off	1 pc
KPHBOG200WJH-VW-D-GEN4	200W	42000 lm	210 LPW	4000K	Ra≥70	120°	0-10V	On/Off	1 pc
KPHBOG240WJH-SW-D-GEN4	240W	46800 lm	195 LPW	4000K	Ra≥70	60°	0-10V	On/Off	1 pc
KPHBOG240WJH-MW-D-GEN4	240W	46800 lm	195 LPW	4000K	Ra≥70	90°	0-10V	On/Off	1 pc
KPHBOG240WJH-VW-D-GEN4	240W	46800 lm	195 LPW	4000K	Ra≥70	120°	0-10V	On/Off	1 pc
KPHBOG100WTH-SW-D-GEN4	100W	16000 lm	165 LPW	4000K	Ra≥90	60°	0-10V	On/Off	1 pc
KPHBOG100WTH-MW-D-GEN4	100W	16000 lm	165 LPW	4000K	Ra≥90	90°	0-10V	On/Off	1 pc
KPHBOG100WTH-VW-D-GEN4	100W	16000 lm	165 LPW	4000K	Ra≥90	120°	0-10V	On/Off	1 pc
KPHBOG150WTH-SW-D-GEN4	150W	24000 lm	165 LPW	4000K	Ra≥90	60°	0-10V	On/Off	1 pc
KPHBOG150WTH-MW-D-GEN4	150W	24000 lm	165 LPW	4000K	Ra≥90	90°	0-10V	On/Off	1 pc
KPHBOG150WTH-VW-D-GEN4	150W	24000 lm	165 LPW	4000K	Ra≥90	120°	0-10V	On/Off	1 pc
KPHBOG200WTH-SW-D-GEN4	200W	32000 lm	165 LPW	4000K	Ra≥90	60°	0-10V	On/Off	1 pc
KPHBOG200WTH-MW-D-GEN4	200W	32000 lm	165 LPW	4000K	Ra≥90	90°	0-10V	On/Off	1 pc
KPHBOG200WTH-VW-D-GEN4	200W	32000 lm	165 LPW	4000K	Ra≥90	120°	0-10V	On/Off	1 pc
KPHBOG240WTH-SW-D-GEN4	240W	38400 lm	160 LPW	4000K	Ra≥90	60°	0-10V	On/Off	1 pc
KPHBOG240WTH-MW-D-GEN4	240W	38400 lm	160 LPW	4000K	Ra≥90	90°	0-10V	On/Off	1 pc
KPHBOG240WTH-VW-D-GEN4	240W	38400 lm	160 LPW	4000K	Ra≥90	120°	0-10V	On/Off	1 pc



The above is only including a part of product info. Please consult us if any further product info is needed.

KNIGHT G3



 ALBEO High Bay



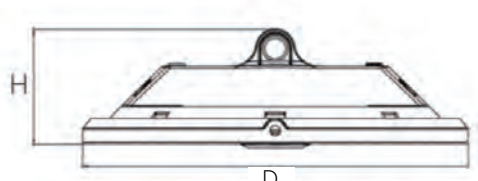
Current 



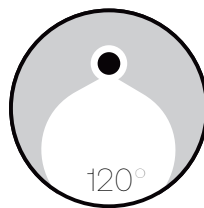
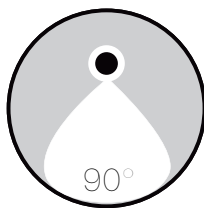
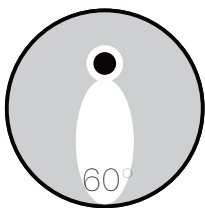
Typical Specifications

System Power	60W	100W	150W	200W
Lumens	8400/9600/11400 lm	14000/16000/19000 lm	21000/24000/28500 lm	28000/32000/38000 lm
System Efficacy	140/160/190 LPW			
CCT	4000/5000/6500K			
CRI	Ra≥70/Ra≥80/Ra≥90			
SDCM	≤5			
Beam Angle	90°/120°	60°/90°/120°		
Input Voltage	110-277V			
Power Factor	≥0.95			
THD	<20%			
Surge Protection	L-N 4KV,L/N-G 6KV			
Ripple Current Ratio	≤10%			
Dimming	N/A	3 in 1 dimming (PWM, 1-10V, Resistor)		
Control	On/Off / Microwave Motion Sensor			
Protection	IP65/IK08			
Safety Class	Class I			
Housing Material	Die-casting Aluminum			
Working Temperature	-40~+45°C			
Rated Lifetime	50,000 hrs			
Mounting	Hook /Chain/Rod/Bracket Mount			

Dimension

	Power	D	H	N.W.
	60W	192mm	81 mm	1.1 Kg
	100W	262mm	104 mm	2.1 Kg
	150W	300mm	102 mm	2.8 Kg
	200W	336mm	102 mm	3.1 Kg

Photometric



Order Logic

PROD. ID	Power	Efficacy	Mounting	Beam Angle	CCT	Dimming	Generation	Control
KPHBOG: Knight Highbay	60W	T:TriGain	H: Suspension	S: 60°	W: 4000K	ND: Non-dimming	GEN3:	Default: On/Off
	100W	J: High	M: Barcket	M: 90°	N: 5000K	D: Dimming	Generation III	MS: Motion Sensor
	150W	I: Normal		W: 120°	C: 6500K			
	200W							

Order Description

Description	Power	Lumens	Efficacy	CCT	CRI	Beam Angle	Dimming	Control	QTY/CTN
KPHBOG60WIH-MW-ND-GEN3	60W	8400 lm	140 LPW	4000K	Ra≥80	90°	N	On/Off	1 pc
KPHBOG60WIH-WW-ND-GEN3	60W	8400 lm	140 LPW	4000K	Ra≥80	120°	N	On/Off	1 pc
KPHBOG100WIH-SW-D-GEN3	100W	14000 lm	140 LPW	4000K	Ra≥80	60°	Y	On/Off	1 pc
KPHBOG100WIH-MW-D-GEN3	100W	14000 lm	140 LPW	4000K	Ra≥80	90°	Y	On/Off	1 pc
KPHBOG100WIH-WW-D-GEN3	100W	14000 lm	140 LPW	4000K	Ra≥80	120°	Y	On/Off	1 pc
KPHBOG150WIH-SW-D-GEN3	150W	21000 lm	140 LPW	4000K	Ra≥80	60°	Y	On/Off	1 pc
KPHBOG150WIH-MW-D-GEN3	150W	21000 lm	140 LPW	4000K	Ra≥80	90°	Y	On/Off	1 pc
KPHBOG150WIH-WW-D-GEN3	150W	21000 lm	140 LPW	4000K	Ra≥80	120°	Y	On/Off	1 pc
KPHBOG200WIH-SW-D-GEN3	200W	28000 lm	140 LPW	4000K	Ra≥80	60°	Y	On/Off	1 pc
KPHBOG200WIH-MW-D-GEN3	200W	28000 lm	140 LPW	4000K	Ra≥80	90°	Y	On/Off	1 pc
KPHBOG200WIH-WW-D-GEN3	200W	28000 lm	140 LPW	4000K	Ra≥80	120°	Y	On/Off	1 pc
KPHBOG60WJH-MW-ND-GEN3	60W	11400 lm	190 LPW	4000K	Ra≥70	90°	N	On/Off	1 pc
KPHBOG60WJH-WW-ND-GEN3	60W	11400 lm	190 LPW	4000K	Ra≥70	120°	N	On/Off	1 pc
KPHBOG100WJH-SW-D-GEN3	100W	19000 lm	190 LPW	4000K	Ra≥70	60°	Y	On/Off	1 pc
KPHBOG100WJH-MW-D-GEN3	100W	19000 lm	190 LPW	4000K	Ra≥70	90°	Y	On/Off	1 pc
KPHBOG100WJH-WW-D-GEN3	100W	19000 lm	190 LPW	4000K	Ra≥70	120°	Y	On/Off	1 pc
KPHBOG150WJH-SW-D-GEN3	150W	28500 lm	190 LPW	4000K	Ra≥70	60°	Y	On/Off	1 pc
KPHBOG150WJH-MW-D-GEN3	150W	28500 lm	190 LPW	4000K	Ra≥70	90°	Y	On/Off	1 pc
KPHBOG150WJH-WW-D-GEN3	150W	28500 lm	190 LPW	4000K	Ra≥70	120°	Y	On/Off	1 pc
KPHBOG200WJH-SW-D-GEN3	200W	38000 lm	190 LPW	4000K	Ra≥70	60°	Y	On/Off	1 pc
KPHBOG200WJH-MW-D-GEN3	200W	38000 lm	190 LPW	4000K	Ra≥70	90°	Y	On/Off	1 pc
KPHBOG200WJH-WW-D-GEN3	200W	38000 lm	190 LPW	4000K	Ra≥70	120°	Y	On/Off	1 pc
KPHBOG60WTH-MW-ND-GEN3	60W	9600 lm	160 LPW	4000K	Ra≥90	90°	N	On/Off	1 pc
KPHBOG60WTH-WW-ND-GEN3	60W	9600 lm	160 LPW	4000K	Ra≥90	120°	N	On/Off	1 pc
KPHBOG100WTH-SW-D-GEN3	100W	16000 lm	160 LPW	4000K	Ra≥90	60°	Y	On/Off	1 pc
KPHBOG100WTH-MW-D-GEN3	100W	16000 lm	160 LPW	4000K	Ra≥90	90°	Y	On/Off	1 pc
KPHBOG100WTH-WW-D-GEN3	100W	16000 lm	160 LPW	4000K	Ra≥90	120°	Y	On/Off	1 pc
KPHBOG150WTH-SW-D-GEN3	150W	24000 lm	160 LPW	4000K	Ra≥90	60°	Y	On/Off	1 pc
KPHBOG150WTH-MW-D-GEN3	150W	24000 lm	160 LPW	4000K	Ra≥90	90°	Y	On/Off	1 pc
KPHBOG150WTH-WW-D-GEN3	150W	24000 lm	160 LPW	4000K	Ra≥90	120°	Y	On/Off	1 pc
KPHBOG200WTH-SW-D-GEN3	200W	32000 lm	160 LPW	4000K	Ra≥90	60°	Y	On/Off	1 pc
KPHBOG200WTH-MW-D-GEN3	200W	32000 lm	160 LPW	4000K	Ra≥90	90°	Y	On/Off	1 pc
KPHBOG200WTH-WW-D-GEN3	200W	32000 lm	160 LPW	4000K	Ra≥90	120°	Y	On/Off	1 pc

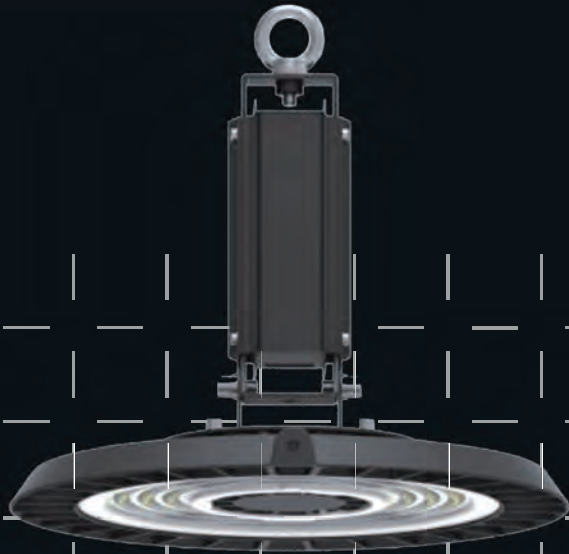


The above is only including a part of product info. Please consult us if any further product info is needed.

KNIGHT HT



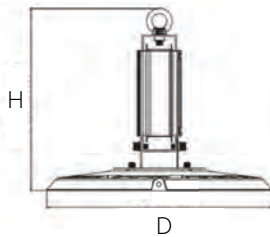
 ALBEO High Bay



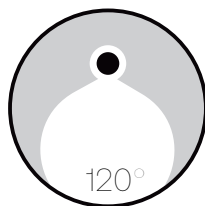
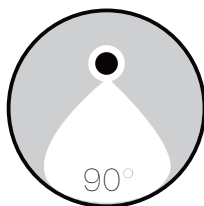
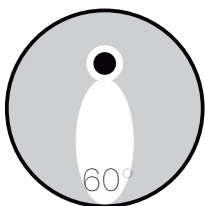
Typical Specifications

System Power	100W	150W
Lumens	16000 lm	24000 lm
System Efficacy	160 LPW	
CCT	4000/6500K	
CRI	Ra≥70	
SDCM	≤5	
Beam Angle	60°/90°/120°	
Input Voltage	220-240V	
Power Factor	0.9	
THD	≤20%	
Surge Protection	L-N:4KV L/N-G: 6KV	
Ripple Current Ratio	≤10%	
Dimming	3 in 1 dimming (PWM, 1-10V, Resistor)	
Control	On-Off	
Protection	IP65/IK08	
Safety Class	Class I	
Housing Material	Die-casting Aluminum	
Working Temperature	-40~+ 65°C	
Rated Lifetime	50,000 hrs	
Mounting	Hook/String Suspension	

Dimension

	Power	D	H	N.W.
	100W	342 mm	308 mm	3.4 Kg
	150W	381 mm	308 mm	3.7 Kg

Photometric





Order Logic

PROD. ID	Power	Efficacy	Mounting	Beam Angle	CCT	Dimming	Generation	Version
KPHBOG: Knight Highbay	100W	J: High	H: Suspension	S: 60°	W: 4000K	ND: Non-dimming D: Dimming	GEN2:	HT: High Temperature
	150W	I: Normal		M: 90°	N: 5000K			
				W: 120°	CR: 5700K			
				C: 6500K				

Order Description

Description	Power	Lumens	Efficacy	CCT	Beam Angle	Dimming	QTY/CTN
KPHBOG100WIH-SW-D-GEN2-HT	100W	16000 lm	160 LPW	4000K	60°	Y	1 pc
KPHBOG100WIH-MW-D-GEN2-HT	100W	16000 lm	160 LPW	4000K	90°	Y	1 pc
KPHBOG100WIH-WW-D-GEN2-HT	100W	16000 lm	160 LPW	4000K	120°	Y	1 pc
KPHBOG150WIH-SW-D-GEN2-HT	150W	24000 lm	160 LPW	4000K	60°	Y	1 pc
KPHBOG150WIH-MW-D-GEN2-HT	150W	24000 lm	160 LPW	4000K	90°	Y	1 pc
KPHBOG150WIH-WW-D-GEN2-HT	150W	24000 lm	160 LPW	4000K	120°	Y	1 pc
KPHBOG100WIH-SN-D-GEN2-HT	100W	16000 lm	160 LPW	5000K	60°	Y	1 pc
KPHBOG100WIH-MN-D-GEN2-HT	100W	16000 lm	160 LPW	5000K	90°	Y	1 pc
KPHBOG100WIH-WN-D-GEN2-HT	100W	16000 lm	160 LPW	5000K	120°	Y	1 pc
KPHBOG150WIH-SN-D-GEN2-HT	150W	24000 lm	160 LPW	5000K	60°	Y	1 pc
KPHBOG150WIH-MN-D-GEN2-HT	150W	24000 lm	160 LPW	5000K	90°	Y	1 pc
KPHBOG150WIH-WN-D-GEN2-HT	150W	24000 lm	160 LPW	5000K	120°	Y	1 pc
KPHBOG100WIH-SCR-D-GEN2-HT	100W	16000 lm	160 LPW	5700K	60°	Y	1 pc
KPHBOG100WIH-MCR-D-GEN2-HT	100W	16000 lm	160 LPW	5700K	90°	Y	1 pc
KPHBOG100WIH-WCR-D-GEN2-HT	100W	16000 lm	160 LPW	5700K	120°	Y	1 pc
KPHBOG150WIH-SCR-D-GEN2-HT	150W	24000 lm	160 LPW	5700K	60°	Y	1 pc
KPHBOG150WIH-MCR-D-GEN2-HT	150W	24000 lm	160 LPW	5700K	90°	Y	1 pc
KPHBOG150WIH-WCR-D-GEN2-HT	150W	24000 lm	160 LPW	5700K	120°	Y	1 pc
KPHBOG100WIH-SC-D-GEN2-HT	100W	16000 lm	160 LPW	6500K	60°	Y	1 pc
KPHBOG100WIH-MC-D-GEN2-HT	100W	16000 lm	160 LPW	6500K	90°	Y	1 pc
KPHBOG100WIH-WC-D-GEN2-HT	100W	16000 lm	160 LPW	6500K	120°	Y	1 pc
KPHBOG150WIH-SC-D-GEN2-HT	150W	24000 lm	160 LPW	6500K	60°	Y	1 pc
KPHBOG150WIH-MC-D-GEN2-HT	150W	24000 lm	160 LPW	6500K	90°	Y	1 pc
KPHBOG150WIH-WC-D-GEN2-HT	150W	24000 lm	160 LPW	6500K	120°	Y	1 pc

The above is only including a part of product info. Please consult us if any further product info is needed.

LINEAR G4



 ALBEO High Bay



Current 



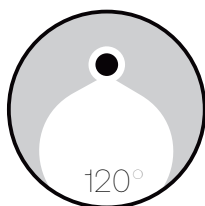
Typical Specifications

Size	1 x 2 ft	2 x 2 ft	1 x 4 ft	2 x 4 ft
System Power	80W-150W	200W	150W-200W	250W
Lumens	25500 lm Max.	34000 lm Max.	34000 lm Max.	42500 lm Max.
System Efficacy		170 LPW Max.		
CCT		4000/6500K		
CRI		Ra≥70		
SDCM		≤5		
Beam Angle		120°/40°x100°		
Input Voltage		100-277V		
Power Factor		≥0.95		
THD		≤20%		
Surge Protection		L-N 6KV,L/N-G 10KV		
Ripple Current Ratio		≤10%		
Dimming		1-10V		
Control		On-Off / Microwave motion sensor		
Emergency		25W 90/180 mins optional		
Protection		IP40/IK04		
Safety Class		Class I		
Housing Material		SPCC		
Working Temperature		-20~+45°C		
Rated Lifetime		50,000hrs		
Mounting		Rod/String Suspension		

Dimension

	Size	L	W	H	N.W.
	1 x 2 ft	614 mm	306 mm	48 mm	2.7 Kg
	2 x 2 ft	614 mm	502 mm	48 mm	3.5 Kg
	1 x 4 ft	1230 mm	306 mm	48 mm	5.0 Kg
	2 x 4 ft	1230 mm	502 mm	48 mm	6.0 Kg

Photometric



Order Logic

PROD. ID	Size	Power	Beam Angle	CCT	Generation	OPTION
LHB: Linear Highbay	2FTS: 1 x 2 ft	80W	W: 120°	N = 4000K	GEN 4:	MS – Motion Sensor
	2FTN: 2 x 2 ft	100W	A: 40°x100°	C = 6500K	Generation IV	BP – Battery Pack
	4FTS: 1 x 4 ft	150W				
	4FTN: 2 x 4 ft	200W				
		250W				

Order Description

Description	Power	Size	Lumens	Efficacy	CCT	Beam Angle	Control	Emergency	QTY/CTN
LHB2FTS80WWNGEN4	80W	1 x 2 ft	13600 lm	170 LPW	4000K	120°	On-Off	N	2 pcs
LHB2FTS100WWNGEN4	100W	1 x 2 ft	17000 lm	170 LPW	4000K	120°	On-Off	N	2 pcs
LHB2FTS150WWNGEN4	150W	1 x 2 ft	25500 lm	170 LPW	4000K	120°	On-Off	N	2 pcs
LHB2FTN200WWNGEN4	200W	2 x 2 ft	34000 lm	170 LPW	4000K	120°	On-Off	N	2 pcs
LHB4FTS150WWNGEN4	150W	1 x 4 ft	25500 lm	170 LPW	4000K	120°	On-Off	N	2 pcs
LHB4FTS200WWNGEN4	200W	1 x 4 ft	34000 lm	170 LPW	4000K	120°	On-Off	N	2 pcs
LHB4FTN250WWNGEN4	250W	2 x 4 ft	42500 lm	170 LPW	4000K	120°	On-Off	N	2 pcs
LHB2FTS80WANGEN4	80W	1 x 2 ft	13600 lm	170 LPW	4000K	40°x100°	On-Off	N	2 pcs
LHB2FTS100WANGEN4	100W	1 x 2 ft	17000 lm	170 LPW	4000K	40°x100°	On-Off	N	2 pcs
LHB2FTS150WANGEN4	150W	1 x 2 ft	25500 lm	170 LPW	4000K	40°x100°	On-Off	N	2 pcs
LHB2FTN200WANGEN4	200W	2 x 2 ft	34000 lm	170 LPW	4000K	40°x100°	On-Off	N	2 pcs
LHB4FTS150WANGEN4	150W	1 x 4 ft	25500 lm	170 LPW	4000K	40°x100°	On-Off	N	2 pcs
LHB4FTS200WANGEN4	200W	1 x 4 ft	34000 lm	170 LPW	4000K	40°x100°	On-Off	N	2 pcs
LHB4FTN250WANGEN4	250W	2 x 4 ft	42500 lm	170 LPW	4000K	40°x100°	On-Off	N	2 pcs
LHB2FTS80WWCGEN4	80W	1 x 2 ft	13600 lm	170 LPW	6500K	120°	On-Off	N	2 pcs
LHB2FTS100WWCGEN4	100W	1 x 2 ft	17000 lm	170 LPW	6500K	120°	On-Off	N	2 pcs
LHB2FTS150WWCGEN4	150W	1 x 2 ft	25500 lm	170 LPW	6500K	120°	On-Off	N	2 pcs
LHB2FTN200WWCGEN4	200W	2 x 2 ft	34000 lm	170 LPW	6500K	120°	On-Off	N	2 pcs
LHB4FTS150WWCGEN4	150W	1 x 4 ft	25500 lm	170 LPW	6500K	120°	On-Off	N	2 pcs
LHB4FTS200WWCGEN4	200W	1 x 4 ft	34000 lm	170 LPW	6500K	120°	On-Off	N	2 pcs
LHB4FTN250WWCGEN4	250W	2 x 4 ft	42500 lm	170 LPW	6500K	120°	On-Off	N	2 pcs
LHB2FTS80WACGEN4	80W	1 x 2 ft	13600 lm	170 LPW	6500K	40°x100°	On-Off	N	2 pcs
LHB2FTS100WACGEN4	100W	1 x 2 ft	17000 lm	170 LPW	6500K	40°x100°	On-Off	N	2 pcs
LHB2FTS150WACGEN4	150W	1 x 2 ft	25500 lm	170 LPW	6500K	40°x100°	On-Off	N	2 pcs
LHB2FTN200WACGEN4	200W	2 x 2 ft	34000 lm	170 LPW	6500K	40°x100°	On-Off	N	2 pcs
LHB4FTS150WACGEN4	150W	1 x 4 ft	25500 lm	170 LPW	6500K	40°x100°	On-Off	N	2 pcs
LHB4FTS200WACGEN4	200W	1 x 4 ft	34000 lm	170 LPW	6500K	40°x100°	On-Off	N	2 pcs
LHB4FTN250WACGEN4	250W	2 x 4 ft	42500 lm	170 LPW	6500K	40°x100°	On-Off	N	2 pcs

The above is only including a part of product info. Please consult us if any further product info is needed.

KLEAN Food Grade



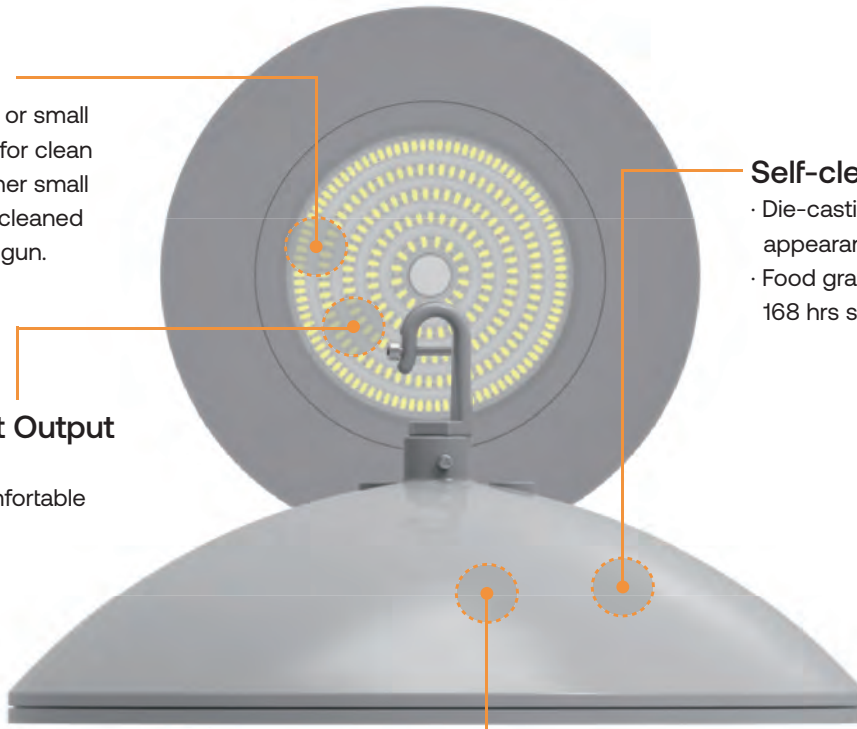
 ALBEO High Bay



Product Features

NSF Requirement

- IP69K & IK08, no screw or small parts on the front, easy for clean and no screw or any other small part will drop when it is cleaned by high-pressure water gun.



Self-clean Appearance

- Die-casting housing, Self-clean appearance
- Food grade powder finish, can pass 168 hrs salt spray test.

High Efficient Light Output

- Up to 150LPW efficacy
- No flicker, the most comfortable lighting.

Reliable Electrical Parameters

- 4KV/6KV surge protection
- Over temperature protection

Applications



Cold Storage



Milk Processing Plant



Meat Processing Plant



Bread Factory



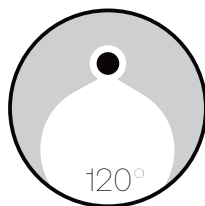
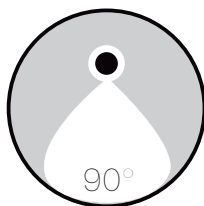
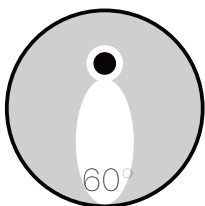
Typical Specifications

Food Grade Zone	NSF Non-food & Splash Zone		
System Power	100W	120W	150W
Lumens	15000 lm Max.	18000 lm Max	22500 lm Max.
System Efficiency	150 LPW Max.		
CCT	3000/4000/5000/5700K		
CRI	Ra≥70/80/90		
SDCM	≤5		
Beam Angle	60°/90°/120°		
Input Voltage	100-240V		
Power Factor	≥0.95		
THD	<20%		
Surge Protection	L-N 4KV,L/N-G 6KV		
Ripple Current Ratio	≤5%		
Dimming	2 in 1 (PWM, 0-10V)/3 in 1 (PWM, 1-10V, Resistor)/ DALI optional		
Control	On-Off /Microwave Motion Sensor		
Protection	IP69K/IK08		
Safety Class	Class I		
Housing Material	Die-casting Aluminum		
Working Temperature	-40~+45°C		
Rated Lifetime	50,000 hrs		
Mounting	Hook/String Suspension		

Dimension

	Power	D	H	N.W.
	100W	400 mm	197 mm	5.8 Kg
	120W	278 mm	167 mm	5.8 Kg
	150W	345 mm	170 mm	5.8 Kg

Photometric



Order Logic

PROD. ID	Power	Beam Angle	CRI	CCT	Dimming	Control
KFC: KLEAN Highbay	100W	60D: 60°	7: Ra≥70	30: 3000K	D2: 2 in 1	Default: On/Off
	120W	90D: 90°	8: Ra≥80	40: 4000K	D3: 3 in 1	MS: Motion Sensor
	150W	120D: 120°	9: Ra≥90	50: 5000K	DA: DALI	
				57: 5700K		

Order Description

Description	Power	Lumens	Efficacy	CCT	CRI	Angle	Dimming	Control	QTY/CTN
KFC100W90D730D2	100W	13500 lm	135 LPW	3000K	Ra≥70	90°	2 in 1	On/Off	1 pc
KFC100W90D740D2	100W	15000 lm	150 LPW	4000K	Ra≥70	90°	2 in 1	On/Off	1 pc
KFC100W90D750D2	100W	15000 lm	150 LPW	5000K	Ra≥70	90°	2 in 1	On/Off	1 pc
KFC100W90D757D2	100W	15000 lm	150 LPW	5700K	Ra≥70	90°	2 in 1	On/Off	1 pc
KFC150W90D730D2	120W	16200 lm	135 LPW	3000K	Ra≥70	90°	2 in 1	On/Off	1 pc
KFC150W90D740D2	120W	18000 lm	150 LPW	4000K	Ra≥70	90°	2 in 1	On/Off	1 pc
KFC150W90D750D2	120W	18000 lm	150 LPW	5000K	Ra≥70	90°	2 in 1	On/Off	1 pc
KFC150W90D757D2	120W	18000 lm	150 LPW	5700K	Ra≥70	90°	2 in 1	On/Off	1 pc
KFC200W90D730D2	150W	20250 lm	135 LPW	3000K	Ra≥70	90°	2 in 1	On/Off	1 pc
KFC200W90D740D2	150W	22500 lm	150 LPW	4000K	Ra≥70	90°	2 in 1	On/Off	1 pc
KFC200W90D750D2	150W	22500 lm	150 LPW	5000K	Ra≥70	90°	2 in 1	On/Off	1 pc
KFC200W90D757D2	150W	22500 lm	150 LPW	5700K	Ra≥70	90°	2 in 1	On/Off	1 pc
KFC100W90D830D2	100W	12600 lm	126 LPW	3000K	Ra≥80	90°	2 in 1	On/Off	1 pc
KFC100W90D840D2	100W	14000 lm	140 LPW	4000K	Ra≥80	90°	2 in 1	On/Off	1 pc
KFC100W90D850D2	100W	14000 lm	140 LPW	5000K	Ra≥80	90°	2 in 1	On/Off	1 pc
KFC100W90D857D2	100W	14000 lm	140 LPW	5700K	Ra≥80	90°	2 in 1	On/Off	1 pc
KFC150W90D830D2	120W	15120 lm	126 LPW	3000K	Ra≥80	90°	2 in 1	On/Off	1 pc
KFC150W90D840D2	120W	16800 lm	140 LPW	4000K	Ra≥80	90°	2 in 1	On/Off	1 pc
KFC150W90D850D2	120W	16800 lm	140 LPW	5000K	Ra≥80	90°	2 in 1	On/Off	1 pc
KFC150W90D857D2	120W	16800 lm	140 LPW	5700K	Ra≥80	90°	2 in 1	On/Off	1 pc
KFC200W90D830D2	150W	18900 lm	126 LPW	3000K	Ra≥80	90°	2 in 1	On/Off	1 pc
KFC200W90D840D2	150W	21000 lm	140 LPW	4000K	Ra≥80	90°	2 in 1	On/Off	1 pc
KFC200W90D850D2	150W	21000 lm	140 LPW	5000K	Ra≥80	90°	2 in 1	On/Off	1 pc
KFC200W90D857D2	150W	21000 lm	140 LPW	5700K	Ra≥80	90°	2 in 1	On/Off	1 pc

The above is only including a part of product info. Please consult us if any further product info is needed.

LuminFrite



 ALBEO Weatherproof





Product Features

Fiberglass Housing

- Press- casting fiberglass housing, tough & robust.
- Excellent environment adaptability, perfectly suitable for applications in -40°C to +50°C
- Almost fully resistant to acids & alkalis

PC/PMMA Diffuser

- PC diffuser with anti-UV & flame resistant is the standard, suitable for most of corrosive environment, while PMMA is optional specially for alkalis corrosion locations.



Hassle-free Protection

- IP66 & IP69K can meet the requirement of NSF
- Anti-UV, suitable for outdoor applications
- V0 Flame retardant rating

Versatile Functions

- Motion sensor optional
- 0-10V dimming optional
- Dali dimming optional
- Emergency battery pack optional
- EPS Enabled optional



Food Processing Plant



Animal Husbandry




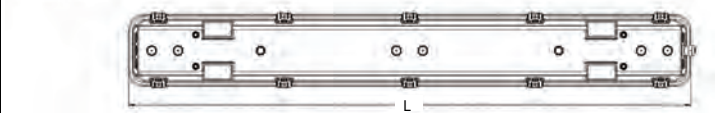
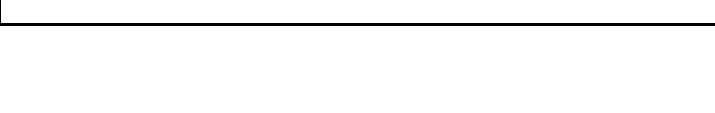
Outdoor Lighting



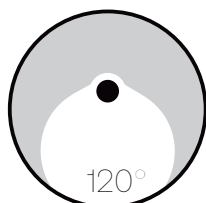
Typical Specifications

Size	2 ft	4 ft	5 ft
System Power	20W	40W	56W
Lumens	2700 lm	5500 lm	9700 lm
System Efficacy	135 LPW	138 LPW	134 LPW
CCT	4000/6500K		
CRI	Ra≥80/90		
SDCM	≤5		
Beam Angle	120°		
Input Voltage	220-240V		
Power Factor	≥0.95		
THD	≤15%		
Surge Protection	L-N 1KV, L/N-G 2KV		
Ripple Current Ratio	≤5%		
Dimming	0-10V/DALI Optional		
Control	On-Off / Microwave Motion Sensor		
Emergency	3W 180 mins/EPS Enabled Optional		
Protection	IP66/IP69K/IK08		
Anti-Corrosion	Acid & Alkali-resistance		
Anti-UV	UV-resistance Suitable for Outdoor Use		
Safety Class	Class I		
Material	Fiberglass Housing and PMMA/PC Diffuser		
Working Temperature	-40~+50°C		
Rated Lifetime	50,000 hrs		
Wiring	Fly Wires/Through-wiring		
Mounting	Surface/Suspension		

Dimension

	Size	L	W	H	N.W
	2 ft	672mm	158mm	100mm	1.8 Kg
	4 ft	1272mm	158mm	100mm	2.8 Kg
	5 ft	1572mm	158mm	100mm	3.4 Kg

Photometric





Order Logic

WLF 120W 2FT -- 8 40 -- --

PROD. ID	Power	Size	Diffuser	CRI	CCT	Dimming	Option
WLF: LuminFrite Weatherproof	20W	2FT: 2ft	Default: PC	8: Ra≥80	40: 4000K	Default: Non-dimming	E: Emergency
	40W	4FT: 4ft	P: PMMA	9: Ra≥90	65: 6500K	AD: 0-10V	MS: Motion sensor
	56W	5FT: 5ft				DA: DALI	S: EPS Enabled
	72W						

Order Description

Description	Size	Power	Lumens	CCT	CRI	Diffuser	Dimming	Option	QTY/CTN
WLF20W2FT840	2 ft	20W	2700 lm	4000K	Ra≥80	PC	N	N	12 pcs
WLF40W4FT840	4 ft	40W	5500 lm	4000K	Ra≥80	PC	N	N	12 pcs
WLF40W4FTP840	4 ft	40W	7500 lm	4000K	Ra≥80	PMMA	N	N	12 pcs
WLF56W4FT840	4 ft	56W	5500 lm	4000K	Ra≥80	PC	N	N	12 pcs
WLF56W4FTP840	4 ft	56W	7500 lm	4000K	Ra≥80	PMMA	N	N	12 pcs
WLF72W5FT840	5 ft	72W	9700 lm	4000K	Ra≥80	PC	N	N	12 pcs
WLF20W2FT840AD	2 ft	20W	2700 lm	4000K	Ra≥80	PC	0-10V	N	12 pcs
WLF40W4FT840AD	4 ft	40W	5500 lm	4000K	Ra≥80	PC	0-10V	N	12 pcs
WLF40W4FTP840AD	4 ft	40W	7500 lm	4000K	Ra≥80	PMMA	0-10V	N	12 pcs
WLF56W4FT840AD	4 ft	56W	5500 lm	4000K	Ra≥80	PC	0-10V	N	12 pcs
WLF56W4FTP840AD	4 ft	56W	7500 lm	4000K	Ra≥80	PMMA	0-10V	N	12 pcs
WLF72W5FT840AD	5 ft	72W	9700 lm	4000K	Ra≥80	PC	0-10V	N	12 pcs
WLF20W2FT840DA	2 ft	20W	2700 lm	4000K	Ra≥80	PC	DALI	N	12 pcs
WLF40W4FT840DA	4 ft	40W	5500 lm	4000K	Ra≥80	PC	DALI	N	12 pcs
WLF40W4FTP840DA	4 ft	40W	7500 lm	4000K	Ra≥80	PMMA	DALI	N	12 pcs
WLF56W4FT840DA	4 ft	56W	5500 lm	4000K	Ra≥80	PC	DALI	N	12 pcs
WLF56W4FTP840DA	4 ft	56W	7500 lm	4000K	Ra≥80	PMMA	DALI	N	12 pcs
WLF72W5FT840DA	5 ft	72W	9700 lm	4000K	Ra≥80	PC	DALI	N	12 pcs
WLF20W2FT840MS	2 ft	20W	2700 lm	4000K	Ra≥80	PC	N	Motion Sensor	12 pcs
WLF40W4FT840MS	4 ft	40W	5500 lm	4000K	Ra≥80	PC	N	Motion Sensor	12 pcs
WLF40W4FTP840MS	4 ft	40W	7500 lm	4000K	Ra≥80	PMMA	N	Motion Sensor	12 pcs
WLF56W4FT840MS	4 ft	56W	5500 lm	4000K	Ra≥80	PC	N	Motion Sensor	12 pcs
WLF56W4FTP840MS	4 ft	56W	7500 lm	4000K	Ra≥80	PMMA	N	Motion Sensor	12 pcs
WLF72W5FT840MS	5 ft	72W	9700 lm	4000K	Ra≥80	PC	N	Motion Sensor	12 pcs
WLF20W2FT840E	2 ft	20W	2700 lm	4000K	Ra≥80	PC	N	Emergency	12 pcs
WLF40W4FT840E	4 ft	40W	5500 lm	4000K	Ra≥80	PC	N	Emergency	12 pcs
WLF40W4FTP840E	4 ft	40W	7500 lm	4000K	Ra≥80	PMMA	N	Emergency	12 pcs
WLF56W4FT840E	4 ft	56W	5500 lm	4000K	Ra≥80	PC	N	Emergency	12 pcs
WLF56W4FTP840E	4 ft	56W	7500 lm	4000K	Ra≥80	PMMA	N	Emergency	12 pcs
WLF72W5FT840E	5 ft	72W	9700 lm	4000K	Ra≥80	PC	N	Emergency	12 pcs



Order Description

Description	Length	Power	Lumens	CCT	CRI	Diffuser	Dimming	Option	QTY/CTN
WLF20W2FT840ADE	2 ft	20W	2700 lm	4000K	Ra≥80	PC	0-10V	Emergency	12 pcs
WLF40W4FT840ADE	4 ft	40W	5500 lm	4000K	Ra≥80	PC	0-10V	Emergency	12 pcs
WLF40W4FTP840ADE	4 ft	40W	7500 lm	4000K	Ra≥80	PMMA	0-10V	Emergency	12 pcs
WLF56W4FT840ADE	4 ft	56W	5500 lm	4000K	Ra≥80	PC	0-10V	Emergency	12 pcs
WLF56W4FTP840ADE	4 ft	56W	7500 lm	4000K	Ra≥80	PMMA	0-10V	Emergency	12 pcs
WLF72W5FT840ADE	5 ft	72W	9700 lm	4000K	Ra≥80	PC	0-10V	Emergency	12 pcs
WLF20W2FT840DAE	2 ft	20W	2700 lm	4000K	Ra≥80	PC	DALI	Emergency	12 pcs
WLF40W4FT840DAE	4 ft	40W	5500 lm	4000K	Ra≥80	PC	DALI	Emergency	12 pcs
WLF40W4FTP840DAE	4 ft	40W	7500 lm	4000K	Ra≥80	PMMA	DALI	Emergency	12 pcs
WLF56W4FT840DAE	4 ft	56W	5500 lm	4000K	Ra≥80	PC	DALI	Emergency	12 pcs
WLF56W4FTP840DAE	4 ft	56W	7500 lm	4000K	Ra≥80	PMMA	DALI	Emergency	12 pcs
WLF72W5FT840DAE	5 ft	72W	9700 lm	4000K	Ra≥80	PC	DALI	Emergency	12 pcs
WLF20W2FT840S	2 ft	20W	2700 lm	4000K	Ra≥80	PC	N	EPS Enabled	12 pcs
WLF40W4FT840S	4 ft	40W	5500 lm	4000K	Ra≥80	PC	N	EPS Enabled	12 pcs
WLF40W4FTP840S	4 ft	40W	7500 lm	4000K	Ra≥80	PMMA	N	EPS Enabled	12 pcs
WLF56W4FT840S	4 ft	56W	5500 lm	4000K	Ra≥80	PC	N	EPS Enabled	12 pcs
WLF56W4FTP840S	4 ft	56W	7500 lm	4000K	Ra≥80	PMMA	N	EPS Enabled	12 pcs
WLF72W5FT840S	5 ft	72W	9700 lm	4000K	Ra≥80	PC	N	EPS Enabled	12 pcs
WLF20W2FT840ADS	2 ft	20W	2700 lm	4000K	Ra≥80	PC	0-10V	EPS Enabled	12 pcs
WLF40W4FT840ADS	4 ft	40W	5500 lm	4000K	Ra≥80	PC	0-10V	EPS Enabled	12 pcs
WLF40W4FTP840ADS	4 ft	40W	7500 lm	4000K	Ra≥80	PMMA	0-10V	EPS Enabled	12 pcs
WLF56W4FT840ADS	4 ft	56W	5500 lm	4000K	Ra≥80	PC	0-10V	EPS Enabled	12 pcs
WLF56W4FTP840ADS	4 ft	56W	7500 lm	4000K	Ra≥80	PMMA	0-10V	EPS Enabled	12 pcs
WLF72W5FT840ADS	5 ft	72W	9700 lm	4000K	Ra≥80	PC	0-10V	EPS Enabled	12 pcs
WLF20W2FT840DAS	2 ft	20W	2700 lm	4000K	Ra≥80	PC	DALI	EPS Enabled	12 pcs
WLF40W4FT840DAS	4 ft	40W	5500 lm	4000K	Ra≥80	PC	DALI	EPS Enabled	12 pcs
WLF40W4FTP840DAS	4 ft	40W	7500 lm	4000K	Ra≥80	PMMA	DALI	EPS Enabled	12 pcs
WLF56W4FT840DAS	4 ft	56W	5500 lm	4000K	Ra≥80	PC	DALI	EPS Enabled	12 pcs
WLF56W4FTP840DAS	4 ft	56W	7500 lm	4000K	Ra≥80	PMMA	DALI	EPS Enabled	12 pcs
WLF72W5FT840DAS	5 ft	72W	9700 lm	4000K	Ra≥80	PC	DALI	EPS Enabled	12 pcs

The above is only including a part of product info. Please consult us if any further product info is needed.

LuminLite



ALBEO Weatherproof



Current



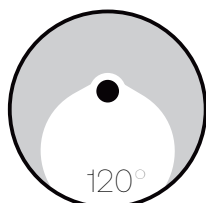
Typical Specifications

Size	2 ft		4 ft		5 ft	
System Power	20W	22W	32W	36W	50W	60W
Lumens	2800 lm	3080 lm	4480 lm	5040 lm	7000 lm	8400 lm
System Efficacy	140 LPW					
CCT	4000/6500K					
CRI	Ra≥80					
SDCM	≤5					
Beam Angle	120°					
Input Voltage	220-240V					
Power Factor	≥0.95					
THD	≤15%					
Surge Protection	L-N 1KV,L/N-G 2KV					
Ripple Current Ratio	≤5%					
Dimming	0-10V/DALI Optional					
Control	On-off / Microwave Motion Sensor					
Emergency	3W 180 mins /EPS Enabled optional					
Protection	IP65/IK08					
Safety Class	Class I					
Anti-condensation	Respirator Optional (Cold Storage Version)					
Material	PC housing and diffuser					
Working Temperature	-20~+40°C (Standard Version)/ -40~+40°C (Cold Storage Version)					
Rated Lifetime	50,000hrs					
Wiring	Terminal block/Flying wires/Through-wiring					
Mounting	Surface/suspension					

Dimension

	Size	L	W	H	N.W.
	2ft	600mm	52mm	48mm	0.8 Kg
	4ft	1200mm	52mm	48mm	1.0 Kg
	5ft	1500mm	52mm	48mm	1.0 Kg
	4ft Emergency	1200mm	52mm	48mm	1.2 Kg
	5ft Emergency	1500mm	52mm	48mm	1.2 Kg

Photometric





Order Logic

PROD. ID	Power	Length	CRI	CCT	Dimming	Option
LHL: LuminLite Weatherproof	20W	2ft	8: Ra≥80	40: 4000K	ND: Non-dimming	E: Emergency
	22W	4ft		65: 6500K	AD:0-10V	MS: Motion sensor
	32W	5ft			DA:DALI	S: EPS Enabled
	36W					C: Cold version
	50W					
	60W					

Order Description

Description	Size	Power	Lumens	CCT	Dimming	Option	QTY/CTN
LHL20W2ft840ND	2 ft	20W	2800 lm	4000K	N	N	12 pcs
LHL22W4ft840ND	4 ft	22W	3080 lm	4000K	N	N	12 pcs
LHL32W4ft840ND	4 ft	32W	4480 lm	4000K	N	N	12 pcs
LHL36W4ft840ND	4 ft	36W	5000 lm	4000K	N	N	12 pcs
LHL50W5ft840ND	5 ft	50W	7000 lm	4000K	N	N	12 pcs
LHL60W5ft840ND	5 ft	60W	8400 lm	4000K	N	N	12 pcs
LHL20W2ft840DA	2 ft	20W	2800 lm	4000K	DALI	N	12 pcs
LHL22W4ft840DA	4 ft	22W	3080 lm	4000K	DALI	N	12 pcs
LHL32W4ft840DA	4 ft	32W	4480 lm	4000K	DALI	N	12 pcs
LHL36W4ft840DA	4 ft	36W	5000 lm	4000K	DALI	N	12 pcs
LHL50W5ft840DA	5 ft	50W	7000 lm	4000K	DALI	N	12 pcs
LHL60W5ft840DA	5 ft	60W	8400 lm	4000K	DALI	N	12 pcs
LHL22W4ft840NDE	4 ft	22W	3080 lm	4000K	N	Emergency	12 pcs
LHL32W4ft840NDE	4 ft	32W	4480 lm	4000K	N	Emergency	12 pcs
LHL36W4ft840NDE	4 ft	36W	5000 lm	4000K	N	Emergency	12 pcs
LHL50W5ft840NDE	5 ft	50W	7000 lm	4000K	N	Emergency	12 pcs
LHL60W5ft840NDE	5 ft	60W	8400 lm	4000K	N	Emergency	12 pcs
LHL22W4ft840NDS	4 ft	22W	3080 lm	4000K	N	EPS Enabled	12 pcs
LHL32W4ft840NDS	4 ft	32W	4480 lm	4000K	N	EPS Enabled	12 pcs
LHL36W4ft840NDS	4 ft	36W	5000 lm	4000K	N	EPS Enabled	12 pcs
LHL50W5ft840NDS	5 ft	50W	7000 lm	4000K	N	EPS Enabled	12 pcs
LHL60W5ft840NDS	5 ft	60W	8400 lm	4000K	N	EPS Enabled	12 pcs

The above is only including a part of product info. Please consult us if any further product info is needed.

WAP G2



 ALBEO Weatherproof





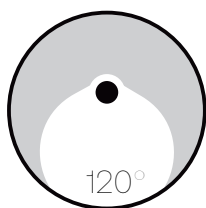
Typical Specifications

Size	1x2 ft	2x2 ft	1x4 ft	2x4 ft	1x5 ft	2x5 ft
Lamp	1xT8	2xT8	1xT8	2xT8	1xT8	2xT8
Beam Angle	120°					
Input Voltage	220-240V					
Input Frequency	50/60Hz					
Protection	IP65/IK08					
Safety Class	Class II					
Material	PC Housing and Diffuser with Stainless Buckles					
Working Temperature	-20~+40°C					
Wiring	Single-end/Double-end					
Mounting	Surface/Suspension					

Dimension

	Size	L	W	H	N.W.
	1X2FT	668 mm	62 mm	58 mm	0.5 Kg
	2X2FT	668 mm	100 mm	55 mm	0.8 Kg
	1X4FT	1272 mm	62 mm	58 mm	0.9 Kg
	2X4FT	1272 mm	100 mm	55 mm	1.4 Kg
	1X5FT	1572 mm	62 mm	58 mm	1.1 Kg
	2X5FT	1572 mm	100 mm	55 mm	1.7 Kg

Photometric



Order Logic

PROD. ID	Size	Wire	Generation
WAP: WAP Weatherproof	1X2FT: 2FT for 1 tube	SE: Single-end wiring	G2: GEN2
	1X2FT: 2FT for 2 tubes	DE: Double-end wiring	
	1X4FT: 4FT for 1 tube		
	2X4FT: 4FT for 2 tubes		
	1X5FT: 5FT for 1 tube		
	2X5FT: 5FT for 2 tubes		

Order Description

Description	Size	Lamp	Wiring	QTY/CTN
WAP1X2FTSE-G2	1x2 ft	1XT8	Single-end	12 pcs
WAP2X2FTSE-G2	2x2 ft	2XT8	Single-end	10 pcs
WAP1X4FTSE-G2	1x4 ft	1XT8	Single-end	12 pcs
WAP2X4FTSE-G2	2x4 ft	2XT8	Single-end	10 pcs
WAP1X5FTSE-G2	1x5 ft	1XT8	Single-end	12 pcs
WAP2X5FTSE-G2	2x5 ft	2XT8	Single-end	10 pcs
WAP1X2FTDE-G2	1x2 ft	1XT8	Double-end	12 pcs
WAP2X2FTDE-G2	2x2 ft	2XT8	Double-end	10 pcs
WAP1X4FTDE-G2	1x4 ft	1XT8	Double-end	12 pcs
WAP2X4FTDE-G2	2x4 ft	2XT8	Double-end	10 pcs
WAP1X5FTDE-G2	1x5 ft	1XT8	Double-end	12 pcs
WAP2X5FTDE-G2	2x5 ft	2XT8	Double-end	10 pcs

The above is only including a part of product info. Please consult us if any further product info is needed.

LuminWok



 ALBEO Worklite

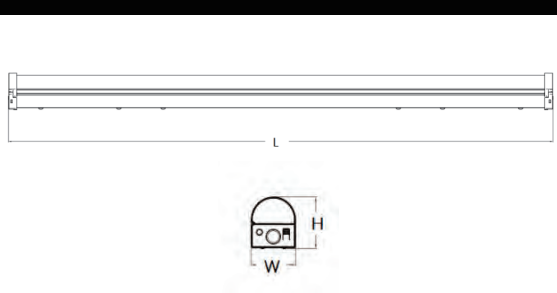




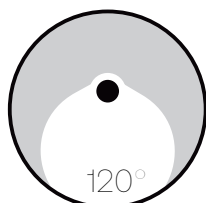
Typical Specifications

Size	2 ft	4 ft	5 ft
System Power	12W/15W/18W/20W Switchable	24/30/35/40W Switchable	38/47/55/60W Switchable
Lumens	2800 lm Max.	5600 lm Max.	8400 lm Max.
System Efficacy	140 LPW		
CCT	4000/6500K or 3000/4000/6500K switchable		
CRI	Ra≥80/90		
SDCM	≤5		
Beam Angle	120°		
Input Voltage	220-240V		
Power Factor	≥0.95		
THD	≤15%		
Surge Protection	L-N 1KV,L/N-G 2KV		
Ripple Current Ratio	≤5%		
Dimming	0-10V/DALI Optional		
Control	On-off / Microwave Motion Sensor optional		
Emergency	3W 180 mins /EPS Enabled optional		
Protection	IP20/IK08		
Safety Class	Class I		
Material	Steel housing and PC diffuser		
Working Temperature	-20~+40°C		
Rated Lifetime	50,000hrs		
Wiring	Side or back flying wiring/Through-wiring		
Mounting	Surface/Suspension		

Dimension

	Size	L	W	H	N.W.
	2ft	600mm	68mm	78mm	0.8 Kg
	4ft	1200mm	68mm	78mm	1.0 Kg
	5ft	1500mm	68mm	78mm	1.1 Kg
	2ft Emergency	600mm	68mm	78mm	1.0 Kg
	4ft Emergency	1200mm	68mm	78mm	1.2 Kg
	5ft Emergency	1500mm	68mm	78mm	1.3 Kg

Photometric





Order Logic

PROD. ID	Power	Size	CRI	CCT	Dimming	Option
WOK: LuminWok Worklite	20W	2ft: 600mm	8: Ra≥80	40: 4000K	Blank: Non-dimming	E: Emergency
	40W	4ft: 1200mm	9: Ra≥90	65:6500K	AD:0-10V	MS: Motion sensor
	60W	5ft: 1500mm		3C: 3 CCT	DA:DALI	S; EPS Enabled

Order Description

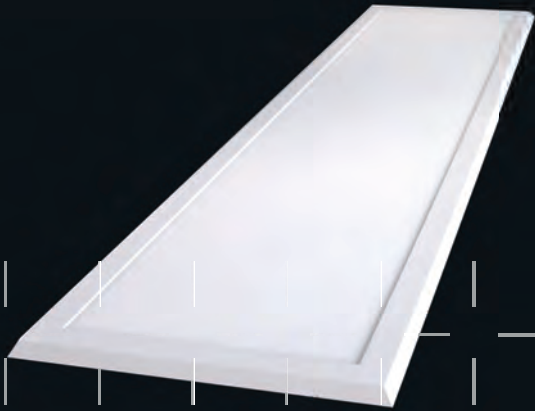
Description	Length	Power	Lumens	CCT	CRI	Dimming	Option	QTY/CTN
WOK20W2FT840	2 ft	20W	2800 lm	4000K	Ra≥80	N	N	9 pcs
WOK40W4FT840	4 ft	40W	5600 lm	4000K	Ra≥80	N	N	9 pcs
WOK60W5FT840	5 ft	60W	8400 lm	4000K	Ra≥80	N	N	9 pcs
WOK20W2FT865	2 ft	20W	2800 lm	6500K	Ra≥80	N	N	9 pcs
WOK40W4FT865	4 ft	40W	5600 lm	6500K	Ra≥80	N	N	9 pcs
WOK60W5FT865	5 ft	60W	8400 lm	6500K	Ra≥80	N	N	9 pcs
WOK20W2FT840MS	2 ft	20W	2800 lm	4000K	Ra≥80	N	Motion Sensor	9 pcs
WOK40W4FT840MS	4 ft	40W	5600 lm	4000K	Ra≥80	N	Motion Sensor	9 pcs
WOK60W5FT840MS	5 ft	60W	8400 lm	4000K	Ra≥80	N	Motion Sensor	9 pcs
WOK20W2FT865MS	2 ft	20W	2800 lm	6500K	Ra≥80	N	Motion Sensor	9 pcs
WOK40W4FT865MS	4 ft	40W	5600 lm	6500K	Ra≥80	N	Motion Sensor	9 pcs
WOK60W5FT865MS	5 ft	60W	8400 lm	6500K	Ra≥80	N	Motion Sensor	9 pcs
WOK20W2FT840E	2 ft	20W	2800 lm	4000K	Ra≥80	N	Emergency	9 pcs
WOK40W4FT840E	4 ft	40W	5600 lm	4000K	Ra≥80	N	Emergency	9 pcs
WOK60W5FT840E	5 ft	60W	8400 lm	4000K	Ra≥80	N	Emergency	9 pcs
WOK20W2FT865E	2 ft	20W	2800 lm	6500K	Ra≥80	N	Emergency	9 pcs
WOK40W4FT865E	4 ft	40W	5600 lm	6500K	Ra≥80	N	Emergency	9 pcs
WOK60W5FT865E	5 ft	60W	8400 lm	6500K	Ra≥80	N	Emergency	9 pcs

The above is only including a part of product info. Please consult us if any further product info is needed.

PROCLEAN



 ALBEO Cleanroom Panel



Current 



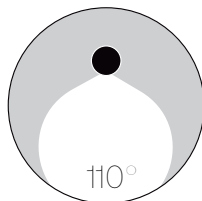
Typical Specifications

Size	1×2 ft	1×3 ft	2×2 ft	2×2 ft	1×4 ft	1×4 ft	2×4 ft
Lumens	2500 lm	3000 lm	4000 lm	6000 lm	4000 lm	6000 lm	7000 lm
System Power	25W	30W	40W	50W	40W	50W	60W
System Efficacy	100 LPW	100 LPW	100 LPW	120 LPW	100 LPW	120 LPW	115 LPW
Cleanroom Class	1000-10,000						
CCT	4000/6500K						
CRI	Ra≥80						
SDCM	≤5						
Beam Angle	110°						
Input Voltage	220-240V						
Power Factor	≥0.9						
THD	<10%						
Surge Protection	L-N 1KV,L/N-G 2KV						
Ripple Current Ratio	≤3%						
IP Rating	IP54(Front) IP40(Back) / IP65						
Safety Class	Class II						
Housing Material	Aluminum						
Working Temperature	-20~+45°C						
Rated Lifetime	50,000hrs						
Mounting	Surface						

Dimension

	Size	L	W	H	N.W.
	1×2 ft	300 mm	600 mm	14 mm	1.2 Kg
	1×3 ft	300 mm	900 mm	14 mm	1.7 Kg
	2×2 ft	600 mm	600 mm	14 mm	2.1 Kg
	1×4 ft	300 mm	1200 mm	14 mm	2.3 Kg
	2×4 ft	600 mm	1200 mm	14 mm	4.4 Kg

Photometric





Order Logic

CRPL	25W	12	--	8	40
PROD. ID	Power	Size	IP Rating	CRI	CCT
CRPL PROCLEAN Cleanroom Panel	25W	12: 300 x 600 mm	Default: IP54/40	8: Ra80	40: 4000K
	30W	13: 300 x 900 mm	IP65: IP65	9: Ra90	65: 6500K
	40W	14: 300 x 1200 mm			
	50W	24: 600 x 1200 mm			
	60W				

Order Description

Description	Size	Power	Lumens	CCT	IP Rating	QTY/CTN
CRPL25W12840	1x2 ft	25W	2500 lm	4000K	IP54/40	4 pcs
CRPL25W12865	1x2 ft	25W	2500 lm	6500K	IP54/40	4 pcs
CRPL30W13840	1x3 ft	30W	3000 lm	4000K	IP54/40	4 pcs
CRPL30W13865	1x3 ft	30W	3000 lm	6500K	IP54/40	4 pcs
CRPL40W22840	2x2 ft	40W	4000 lm	4000K	IP54/40	4 pcs
CRPL40W22865	2x2 ft	40W	4000 lm	6500K	IP54/40	4 pcs
CRPL50W22840	2x2 ft	50W	6000 lm	4000K	IP54/40	4 pcs
CRPL50W22865	2x2 ft	50W	6000 lm	6500K	IP54/40	4 pcs
CRPL40W14840	1x4 ft	40W	4000 lm	4000K	IP54/40	4 pcs
CRPL40W14865	1x4 ft	40W	4000 lm	6500K	IP54/40	4 pcs
CRPL50W14840	1x4 ft	50W	6000 lm	4000K	IP54/40	4 pcs
CRPL50W14865	1x4 ft	50W	6000 lm	6500K	IP54/40	4 pcs
CRPL60W24840	2x4 ft	60W	7000 lm	4000K	IP54/40	2 pcs
CRPL60W24865	2x4 ft	60W	7000 lm	6500K	IP54/40	2 pcs
CRPL50W22IP65840	2x2 ft	50W	6000 lm	4000K	IP65	4 pcs
CRPL50W22IP65865	2x2 ft	50W	6000 lm	6500K	IP65	4 pcs
CRPL50W14IP65840	1x4 ft	50W	6000 lm	4000K	IP65	4 pcs
CRPL50W14IP65865	1x4 ft	50W	6000 lm	4000K	IP65	4 pcs

The above is only including a part of product info. Please consult us if any further product info is needed.

PROCLEAN



ALBEO Cleanroom Teardrop





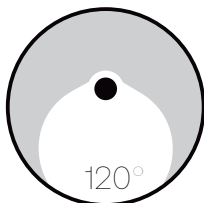
Typical Specifications

Size	2 ft		4 ft			5 ft		4 ft	
Lumens	1300 lm	2600 lm	2800 lm	4200 lm	5600 lm	7000 lm	8400 lm	1900 lm	3800 lm
System Power	10W	20W	20W	30W	40W	50W	60W	20W	40W
System Efficacy	130 LPW	130LPW	140 LPW	140 LPW	140 LPW	140 LPW	140 LPW	95 LPW	95 LPW
Cleanroom Class	ISO 5								
CCT	4000/6500K							Amber	
CRI	Ra>80/Ra>90							-	
SDCM	≤5								
Beam Angle	120°								
Input Voltage	220-240V								
Power Factor	≥0.9								
THD	<20%								
Surge Protection	L-N 1KV,L/N-G 2KV								
Ripple Current Ratio	≤5%								
Dimming	0-10V/DALI Optional								
Control	On-off		On-off / Microwave Motion Sensor						
Emergency	N/A		180 mins						
Protection	IP40/IK06								
Safety Class	Class I								
Housing Material	PC extruding housing								
Working Temperature	-20 - +40°C								
Rated Lifetime	50,000hrs								
Mounting	Surface Mounting/Seamless mounting optional								

Dimension

Description	L	W	H	N.W.
2ft	600 mm	55 mm	89 mm	0.8 kg
4ft	1200 mm	55 mm	89 mm	1.2 kg
5ft	1500 mm	55 mm	89 mm	1.5 kg
4FT Emergency	1200 mm	55 mm	89 mm	1.6 kg
5FT Emergency	1500 mm	55 mm	89 mm	1.9 kg

Photometric



Order Logic

PROD. ID	Power	Size	CRI	CCT	Dimming	Options
CRTL: PROCLEAN Cleanroom Teardrop	10W 20W 30W 40W 50W 60W	2FT: 600mm 4FT: 1200mm 5FT: 1500mm	Blank: Amber 8: Ra80 9: Ra90	40:4000K 65:6500K AMBER: Amber	Blank: Non-dimming AD: 0-10V dimming DA: DALI Dimming	MS: Motion Sensro E: Emergency



Order Description

Description	Power	Lumens	CCT	CRI	Dimming	Options	QTY/CTN
CRTL10W2FT840	10W	1300lm	4000K	Ra≥80	N	N	15 pcs
CRTL20W2FT840	20W	2600lm	4000K	Ra≥80	N	N	15 pcs
CRTL20W4FT840	20W	2800lm	4000K	Ra≥80	N	N	15 pcs
CRTL30W4FT840	30W	4200lm	4000K	Ra≥80	N	N	15 pcs
CRTL40W4FT840	40W	5600lm	4000K	Ra≥80	N	N	15 pcs
CRTL50W5FT840	50W	7000lm	4000K	Ra≥80	N	N	15 pcs
CRTL60W5FT840	60W	8400lm	4000K	Ra≥80	N	N	15 pcs
CRTL10W2FT865	10W	1300lm	6500K	Ra≥80	N	N	15 pcs
CRTL20W2FT865	20W	2600lm	6500K	Ra≥80	N	N	15 pcs
CRTL20W4FT865	20W	2800lm	6500K	Ra≥80	N	N	15 pcs
CRTL30W4FT865	30W	4200lm	6500K	Ra≥80	N	N	15 pcs
CRTL40W4FT865	40W	5600lm	6500K	Ra≥80	N	N	15 pcs
CRTL50W5FT865	50W	7000lm	6500K	Ra≥80	N	N	15 pcs
CRTL60W5FT865	60W	8400lm	6500K	Ra≥80	N	N	15 pcs
CRTL20W4FTAMBER	20W	1900lm	Amber	-	N	N	15 pcs
CRTL40W4FTAMBER	40W	3800lm	Amber	-	N	N	15 pcs
CRTL20W4FT840E	20W	2800lm	4000K	Ra≥80	N	Emergency	15 pcs
CRTL30W4FT840E	30W	4200lm	4000K	Ra≥80	N	Emergency	15 pcs
CRTL40W4FT840E	40W	5600lm	4000K	Ra≥80	N	Emergency	15 pcs
CRTL50W5FT840E	50W	7000lm	4000K	Ra≥80	N	Emergency	15 pcs
CRTL60W5FT840E	60W	8400lm	4000K	Ra≥80	N	Emergency	15 pcs
CRTL20W4FT865E	20W	2800lm	6500K	Ra≥80	N	Emergency	15 pcs
CRTL30W4FT865E	30W	4200lm	6500K	Ra≥80	N	Emergency	15 pcs
CRTL40W4FT865E	40W	5600lm	6500K	Ra≥80	N	Emergency	15 pcs
CRTL50W5FT865E	50W	7000lm	6500K	Ra≥80	N	Emergency	15 pcs
CRTL60W5FT865E	60W	8400lm	6500K	Ra≥80	N	Emergency	15 pcs
CRTL20W4FTAMBERE	20W	1900lm	Amber	-	N	Emergency	15 pcs
CRTL40W4FTAMBERE	40W	3800lm	Amber	-	N	Emergency	15 pcs

The above is only including a part of product info. Please consult us if any further product info is needed.

ARES Linear



 ALBEO Explosion-proof



Current 



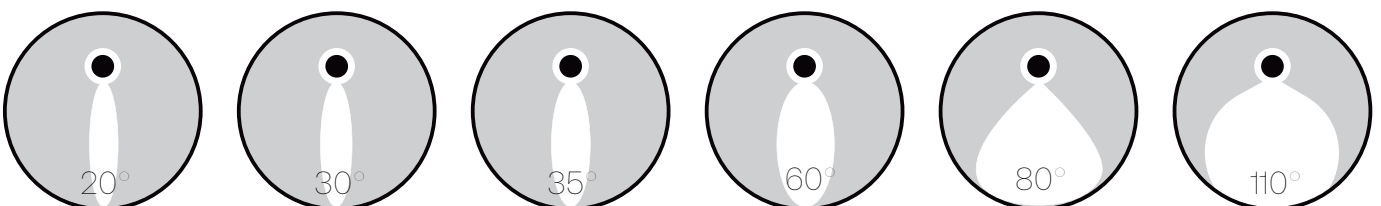
Typical Specifications

Hazardous Environment	Suitable for Zone 1 & 2 Gas Atmospheres		
Ex Marking	Ex II 2G Ex db IIC T6 Gb		
System Power	40W	80W	120W
Lumens	5600 lm Max.	11200 lm Max.	16800 lm Max.
System Efficacy	140 LPW Max.		
CCT	3000/4000K/5000/6500K		
CRI	Ra≥70		
SDCM	≤5		
Beam Angle	20°/30°/35°/60°/80°/110°×100°		
Input Voltage	100-240V		
Power Factor	≥0.9		
THD	<20%		
Surge Protection	L-N 6KV,L/N-G 10KV		
Ripple Current Ratio	≤10%		
Dimming	1-10V/PMW/Triac optional		
Protection	IP66/IK07		
Safety Class	Class I		
Housing Material	Die-casting Aluminum		
Working Temperature	-40~+65°C		
Rated Lifetime	50,000 hrs		
Mounting	Surface/Bracket/Rod/Chain		
Safety Rope	Y		

Dimension

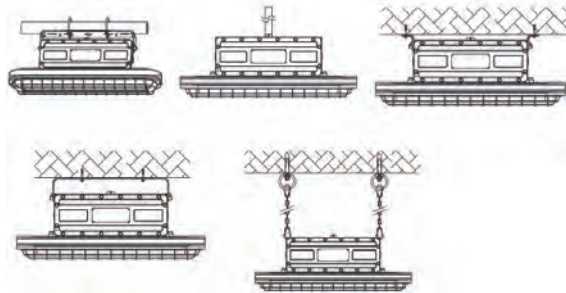
	Model	L	W	H1	H2	N.W.
	XAL40W	649mm	130mm	-	251mm	10.7Kg
	XAL40W with guard	649mm	130mm	266mm	251mm	11.7Kg
	XAL80W	1299mm	130mm	-	250mm	16.7Kg
	XAL80W with guard	1299mm	130mm	266mm	250mm	17.7Kg
	XAL120W	1299mm	130mm	-	250mm	16.7Kg
	XAL120W with guard	1299mm	130mm	266mm	250mm	17.7Kg

Photometric

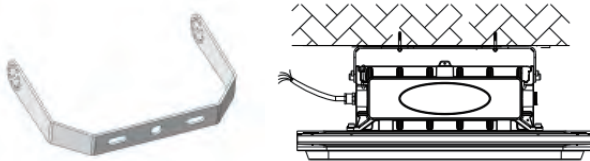




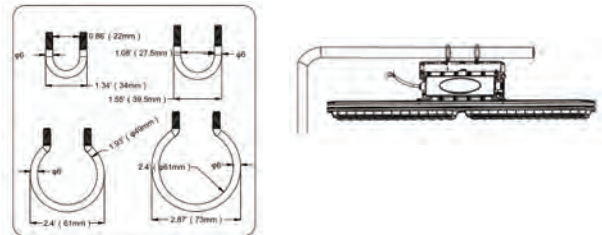
Mounting



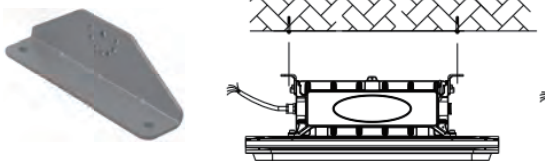
Mounting Accessories



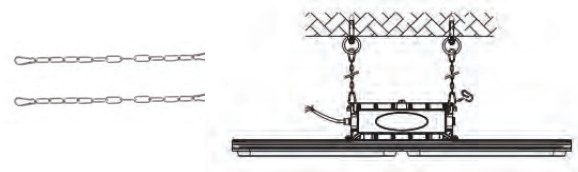
U Bracket Mounting



Pole Mounting



Ceiling Surface Mounting



Hanging Chain Mounting

Wiring

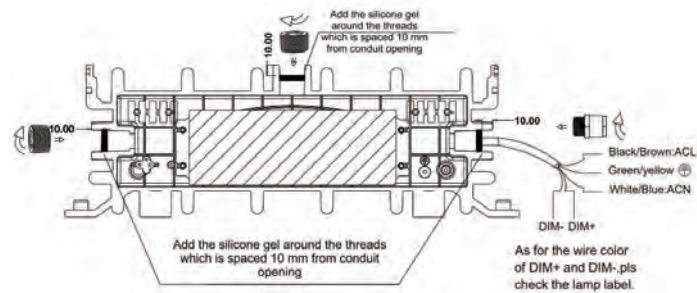


Figure 1

Wiring Accessories



Cable Fixing Joint: Stainless Steel, IP66



Rod: Galvanized steel with paint, M25*1.5 male thread at two ends 30/45/90/180°elbow is optional 30-50cm length IP66



Adaptor: Stainless steel, M25*1.5 male-male or male-female IP66



Flexible Pipe: Stainless steel, M25*1.5 thread male-male or male-female IP66

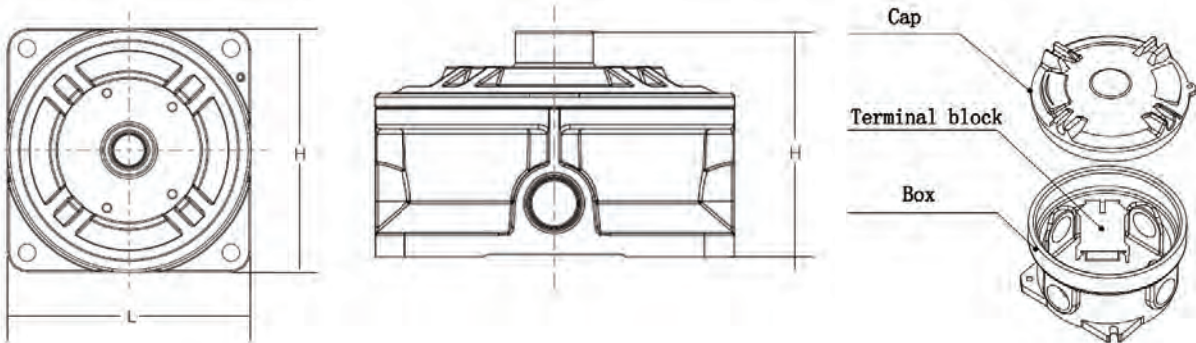


Explosion-proof Junction Box

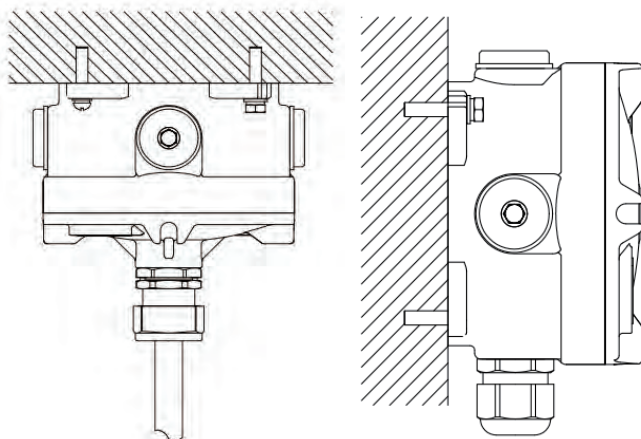


Material: Die-casting Aluminum & stainless steel
 Rated Voltage: 600V
 Ta: -55 - +55°C
 IP66 WF2
 Suitable for Zone 1, 2, 21&22, hazardous locations

Dimensions (mm)



Mounting



NO	Entry size	Tighten toque
1	M20x1.5	20Nm
2	NPT 1/2	
3	M25x1.5	30Nm
4	NPT 1/2	



Order Logic

XAL 40W 2FT 80D 7 30 -- AD B --

PROD. ID	Power	Size	Beam Angle	CRI	CCT	Color	Dimming	Mounting	Wire Guard
XAL: ARES Linear Explosion-proof	40W	2FT	20D: 20°	7: Ra≥70	30: 3000K	Default: Gray	Default: Non-dimming	B: Bracket	Default: Without Wire Guard
	80W	4FT	30D: 30°	8: Ra≥80	40: 4000K	Y: Yellow	AD: 1-10V Dimming	C: Chain	W: With Wire Guard
	120W		35D: 35°		50: 5000K		TD: Triac Dimming	P: Pole	
			60D: 60°		65: 6500K		PM: PWM Dimming	S: Surface	
			80D: 80°						
		110D:110°*100°							

Order Description

Description	Power	Lumens	Efficacy	CCT	Beam Angle	Dimming	Wire Guard	QTY/CTN
XAL40W2FT20D765B	40W	5600 lm	140 LPW	6500K	20°	N	N	1 pc
XAL40W2FT30D765B	40W	5600 lm	140 LPW	6500K	30°	N	N	1 pc
XAL40W2FT35D765B	40W	5600 lm	140 LPW	6500K	35°	N	N	1 pc
XAL40W2FT60D765B	40W	5400 lm	135 LPW	6500K	60°	N	N	1 pc
XAL40W2FT80D765B	40W	5400 lm	135 LPW	6500K	80°	N	N	1 pc
XAL40W2FT110D765B	40W	5600 lm	140 LPW	6500K	110*100°	N	N	1 pc
XAL80W4FT20D765B	80W	11200 lm	140 LPW	6500K	20°	N	N	1 pc
XAL80W4FT30D765B	80W	11200 lm	140 LPW	6500K	30°	N	N	1 pc
XAL80W4FT35D765B	80W	11200 lm	140 LPW	6500K	35°	N	N	1 pc
XAL80W4FT60D765B	80W	10800 lm	135 LPW	6500K	60°	N	N	1 pc
XAL80W4FT80D765B	80W	10800 lm	135 LPW	6500K	80°	N	N	1 pc
XAL80W4FT110D765B	80W	11200 lm	140 LPW	6500K	110*100°	N	N	1 pc
XAL120W4FT20D765B	120W	16800 lm	140 LPW	6500K	20°	N	N	1 pc
XAL120W4FT30D765B	120W	16800 lm	140 LPW	6500K	30°	N	N	1 pc
XAL120W4FT35D765B	120W	16800 lm	140 LPW	6500K	35°	N	N	1 pc
XAL120W4FT60D765B	120W	15600 lm	130 LPW	6500K	60°	N	N	1 pc
XAL120W4FT80D765B	120W	15600 lm	130 LPW	6500K	80°	N	N	1 pc
XAL120W4FT110D765B	120W	16800 lm	140 LPW	6500K	110*100°	N	N	1 pc

The above is only including a part of product info. Please consult us if any further product info is needed.

ARES Round



 ALBEO Explosion-proof

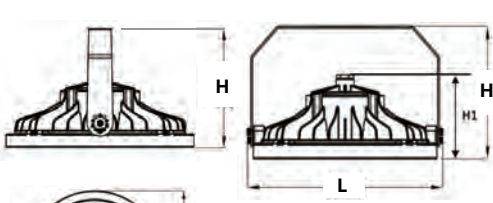
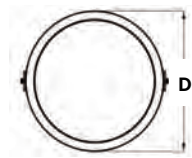




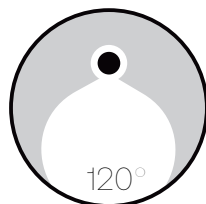
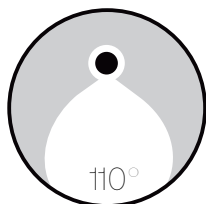
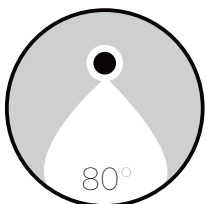
Typical Specifications

Hazardous Environment	Suitable for Zone 1 & 2 Gas Atmospheres			
Ex Marking	Ex II 2G Ex mb e IIB T4 Gb			
System Power	30W	60W	100W	150W
Lumens	4063 lm Max.	7800 lm Max.	14000 lm Max.	22950lm Max.
System Efficacy	140 LPW Max.			
CCT	3000/4000K/5000/6500K			
CRI	Ra≥80			
SDCM	≤5			
Beam Angle	80°/110°/120°		110°/120°	
Input Voltage	110-240V			
Power Factor	≥0.95			
THD	<20%			
Surge Protection	L-N 6KV,L/N-G 10KV			
Ripple Current Ratio	≤10%			
Protection	IP66/IK09			
Safety Class	Class I			
Housing Material	Die-casting Aluminum			
Working Temperature	-40~+55°C			
Rated Lifetime	50,000 hrs			
Mounting	Bracket/Rod/Pole			
Safety Rope	N/A		With	

Dimension

	Power	L	D	H (With Bracket)	H1 (W/O Bracket)	N.W.
	30W	210mm	195mm	148mm	126 mm	3.9Kg
	60W	210mm	195mm	148mm	126 mm	3.9Kg
	100W	351mm	206mm	330mm	159 mm	10.9Kg
	150W	351mm	206mm	330mm	159mm	11.2Kg

Photometric





Glass & Wire Guard Options



Clear glass



Clear striped spherical glass



Wire guard



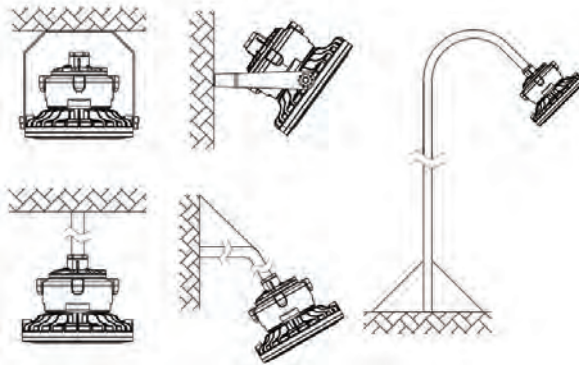
U-shaped glass



U-shaped wire guard

	CL	CG/CW	SG/SW	UG/UW
30W				
60W				
100W				
150W				

Mounting



Accessories



U Bracket: Galvanized steel with paint



Rod: Galvanized steel with paint, M25*1.5 male thread at two ends 30/45/90/180°elbow is optional 30-50cm length IP66



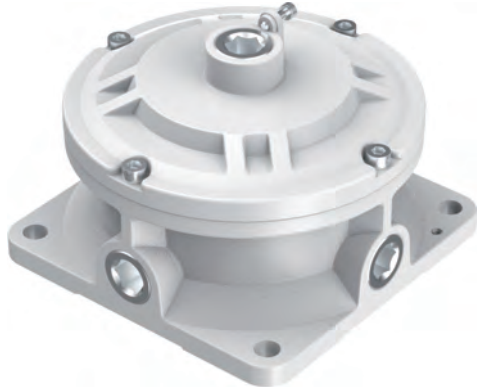
Adaptor: Stainless steel, M25*1.5 male-male or male-female IP66



Flexible Pipe: Stainless steel, M25*1.5 thread male-male or male-female IP66

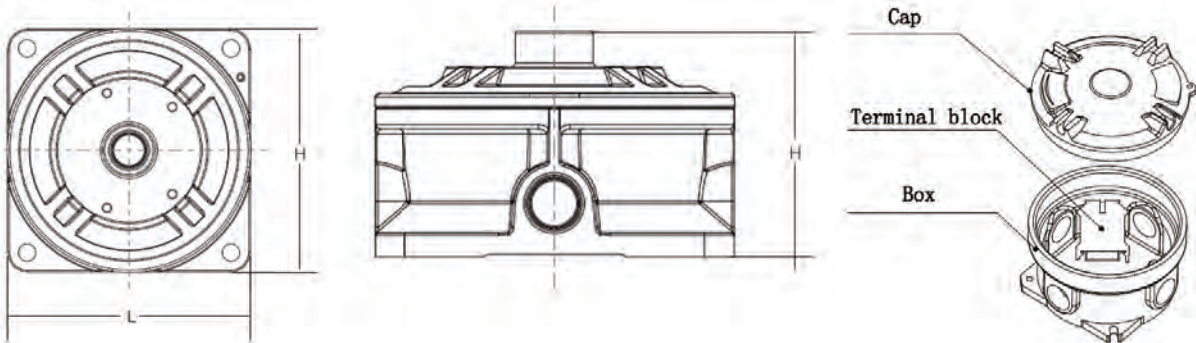


Explosion-proof Junction Box

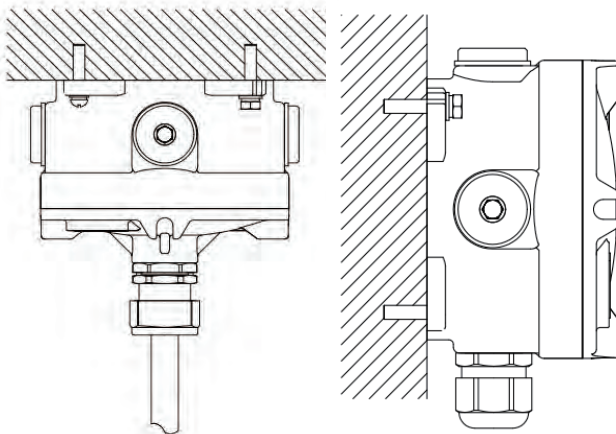


Material: Die-casting Aluminum & stainless steel
 Rated Voltage: 600V
 Ta: -55 - +55°C
 IP66 WF2
 Suitable for Zone 1, 2, 21&22, hazardous locations

Dimensions (mm)



Mounting



NO	Entry size	Tighten torque
1	M20x1.5	20Nm
2	NPT 1/2	
3	M25x1.5	30Nm
4	NPT 1/2	



Order Logic

PROD.ID	Power	Optics	CRI	CCT	Color	Mounting	Glass & Wire Guard
XAR ARES Explosion-proof	30W	80D: 80°	7: Ra≥70	30: 3000K	Default:Gray	B: Bracket	CG: Clear Glass
	60W	110D: 110°	8: Ra≥80	40: 4000K	Y:Yellow	R: Rod	CW:Clear Glass With Wire Guard
	100W	120D: 120°		50: 5000K		P: Pole	SG:Clear Striped Spherical Glass
	150W			65: 6500K			SW: Clear Striped Spherical Glass With Wire Guard
							UG: U-shaped Glass
							UW. U-shaped Glass Withwire Guard
							CL: Clear Glass+Lens

Order Description

Description	Power	Lumens	Efficacy	CCT	Beam Angle	Glass	Wire Guard	QTY/CTN
XAR30W110D865BCG	30W	4063 lm	135 LPW	6500K	110°	Clear	W/O	1 pc
XAR30W110D830BCW	30W	3697 lm	123 LPW	6500K	110°	Clear	W	1 pc
XAR30W120D865BSG	30W	3633 lm	122 LPW	6500K	120°	Clear Striped Spherical	W/O	1 pc
XAR30W120D865BSW	30W	3306 lm	111 LPW	6500K	120°	Clear Striped Spherical	W	1 pc
XAR30W120D865BUG	30W	3743 lm	126 LPW	6500K	120°	U-shaped	W/O	1 pc
XAR30W120D865BUW	30W	3406 lm	115 LPW	6500K	120°	U-shaped	W	1 pc
XAR30W80D865BCL	30W	3900 lm	130 LPW	6500K	80°	Clear+Lens	W/O	1 pc
XAR60W110D865BCG	60W	7813 lm	130 LPW	6500K	110°	Clear	W/O	1 pc
XAR60W110D830BCW	60W	7109 lm	118 LPW	6500K	110°	Clear	W	1 pc
XAR60W120D865BSG	60W	7157 lm	119 LPW	6500K	120°	Clear Striped Spherical	W/O	1 pc
XAR60W120D865BSW	60W	6513 lm	108 LPW	6500K	120°	Clear Striped Spherical	W	1 pc
XAR60W120D865BUG	60W	6611 lm	110 LPW	6500K	120°	U-shaped	W/O	1 pc
XAR60W120D865BUW	60W	6016 lm	100 LPW	6500K	120°	U-shaped	W	1 pc
XAR60W80D865BCL	60W	7500 lm	125 LPW	6500K	80°	Clear+Lens	W/O	1 pc
XAR100W110D865BCG	100W	14063 lm	141 LPW	6500K	110°	Clear	W/O	1 pc
XAR100W110D830BCW	100W	12797 lm	128 LPW	6500K	110°	Clear	W	1 pc
XAR100W120D865BSG	100W	13236 lm	133 LPW	6500K	120°	Clear Striped Spherical	W/O	1 pc
XAR100W120D865BSW	100W	12045 lm	121 LPW	6500K	120°	Clear Striped Spherical	W	1 pc
XAR150W110D865BCG	150W	21094 lm	141 LPW	6500K	110°	Clear	W/O	1 pc
XAR150W110D830BCW	150W	19195 lm	128 LPW	6500K	110°	Clear	W	1 pc
XAR150W120D865BSG	150W	19733 lm	132 LPW	6500K	120°	Clear Striped Spherical	W/O	1 pc
XAR150W120D865BSW	150W	17957 lm	120 LPW	6500K	120°	Clear Striped Spherical	W	1 pc

The above is only including a part of product info. Please consult us if any further product info is needed.

VELA



ALBEO

Explosion-proof



Explosion Proof



Current @



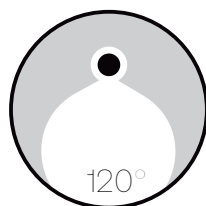
Typical Specifications

Hazardous Environment	Suitable for zone 2, 21 and 22 gas and dust atmospheres	
Ex Marking	Ex II 3 G Ex ec mb IIC T5 Gc/II 2 D Ex tc IIIC T95°C Dc	
System Power	18W	36W
Lumens	2340 lm	4680 lm
System Efficacy	130 LPW	
CCT	4000K/6500K	
CRI	Ra≥80	
SDCM	≤3	
Beam Angle	120°	
Input Voltage	220-240VAC/18-48VDC	
Power Factor	≥0.95	
THD	≤15%	
Surge Protection	L-N 4KV,L/N-G 6KV	
Ripple Current Ratio	≤5%	
Control	On-off	
Protection	IP66/IK08	
Safety Class	Class I	
Housing Material	Extruded Aluminum	
Working Temperature	-20~+40°C	
Rated Lifetime	50,000hrs	
Mounting	Surface/wall	

Dimension

	Model	A	B	W	H	N.W.
	KEX18W2FT	609mm	-	101mm	48mm	1.7Kg
	KEX18W2FT Through Wiring	-	705mm	101mm	48mm	1.7Kg
	KEX36W4FT	1252mm	-	101mm	48mm	2.6Kg
	KEX36W4FT Through Wiring	-	1287mm	101mm	48mm	2.6Kg

Photometric





Order Logic

PROD. ID	Power	Voltage	Size	CRI	CCT	Wiring
KEX: VELA Linear Explosion-proof	18W	V: 220V	2FT	8: Ra≥80	40: 4000K	S: Single-end
	36W	U: 220VAC/DC18-48VDC	4FT		65: 6500K	T: Through Wiring

Order Description

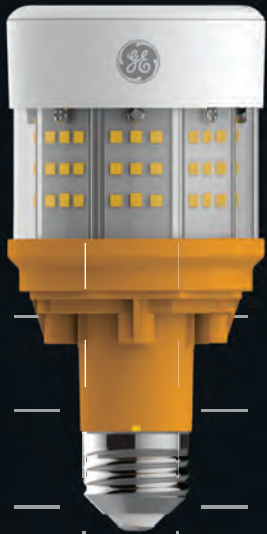
Description	Power	Voltage	Lumens	Efficacy	CCT	Wiring	QTY/CTN
KEX18WV2FT740S	18W	220V	2340 lm	130 LPW	4000K	Single	1 pc
KEX36WV4FT740S	36W	220V	4680 lm	130 LPW	4000K	Single	1 pc
KEX18WV2FT765S	18W	220V	2340 lm	130 LPW	6500K	Single	1 pc
KEX36WV4FT765S	36W	220V	4680 lm	130 LPW	6500K	Single	1 pc
KEX18WV2FT740T	18W	220V	2340 lm	130 LPW	4000K	Through	1 pc
KEX36WV4FT740T	36W	220V	4680 lm	130 LPW	4000K	Through	1 pc
KEX18WV2FT765T	18W	220V	2340 lm	130 LPW	6500K	Through	1 pc
KEX36WV4FT765T	36W	220V	4680 lm	130 LPW	6500K	Through	1 pc

The above is only including a part of product info. Please consult us if any further product info is needed.

HID Retrofit Lamp



 ALBEO Explosion-proof





HID Retrofit Lamps

Approved for Hazardous Locations

A Smarter, Safer Switch From HID



**RATED FOR CLASS 1,
DIVISION 2
GROUPS A, B, C, D**

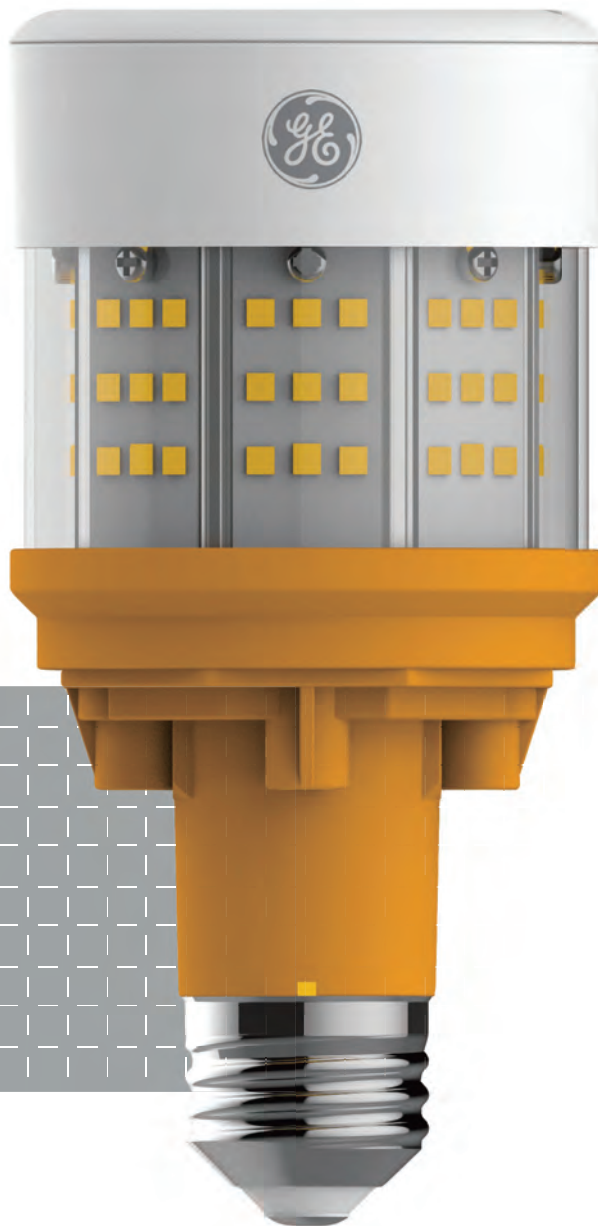


**INDUSTRY-LEADING
LUMEN OUTPUT IN
COMPACT FORM**



**UL-CERTIFIED
FIXTURES***

GE Lighting Filtr-Gard® H2 Series
Crouse-Hinds Champ® VMV
Appleton Mercmaster™ II
Appleton Mercmaster™ III
Hubbell Killark® VM Series
Holophane Petrolux® P3M
Holophane Petrolux® II PETL
Thomas & Betts Hazlux® 3 Series



AVAILABLE ONLY IN TYPE B



50,000-hour rated life
2.5x longer life than HID



50% less energy usage
with similar light output -
up to 23,500 lumens



**E39 socket adapter
included with
E26 base lamps**



**High maximum
temperature ratings**
21W: 65°C | 35W: 55°C
45W: 45°C | 80W: 55°C
150W: 40°C
Minimum starting
temperature: -20°C

For use at drilling rigs, petrochemical facilities, food and beverage facilities and other heavy-industry areas

*Suitable luminaire fittings may vary. Contact your Current representative or check installation guide for details.



Typical Specifications

Hazardous Locations	Rated for Class 1, Division 2, Groups A,B,C,D				
Certification	cUL				
Type	LED Replacement Lamps for HID - Ballast Bypass (Type B) - Hazardous Locations				
Bulb Shape	ED17		ED23.5		ED28
Base Type	E26/EX39		E26/EX39		EX39
System Power	21W	35W	45W	80W	150W
Lumens	3000 lm	5000 lm	6000 lm	12000 lm	23500 lm
System Efficacy	143 LPW	143 LPW	133 LPW	150 LPW	157 LPW
CCT	3000K/4000K/5000K				
CRI	Ra>70				
Input Voltage	120-277V		120-277V/277-480V		277-480V
Location Rating	Damp				
Temperature Code	T4A		T4		
Working Temperature	-20~+65°C				
Rated Lifetime	50,000 hrs				
Replacement	50W HPS / 70W MH	70W HPS / 100W MH	100W HPS / 100W MH	150W HPS / 250W MH	310W HPS / 400W MH

Dimension




	Bulb Shape	D	H	N.W.
	ED17	66 mm	137 mm	0.3 Kg
	ED23.5	94 mm	198 mm	0.9 Kg
	ED28	104 mm	211 mm	1.1 Kg



Order Logic

LED	21W	ED17	7	30	HAZ
PROD. ID	Power	Bulb Shape	CRI	CCT	Version
LED: LED Retrofit Lamps	21: 21W	ED17	7: Ra≥70	30: 3000K	HAZ: Hazardous Locations
	35: 35W	ED23.5		40: 4000K	
	45: 45W	ED28		50: 5000K	
	80: 80W				
	150: 150W				

Order Description

Description	Bulb Shape	Base Type	Power	Voltage	Lumens	CCT	QTY/CTN
LED21ED17/730/HAZ		E26/EX39	21W	120-277V	3000 lm	3000K	3 pcs
LED21ED17/740/HAZ		E26/EX39	21W	120-277V	3000 lm	4000K	3 pcs
LED21ED17/750/HAZ		E26/EX39	21W	120-277V	3000 lm	5000K	3 pcs
LED35ED17/730/HAZ		E26/EX39	35W	120-277V	5000 lm	3000K	3 pcs
LED35ED17/740/HAZ		E26/EX39	35W	120-277V	5000 lm	4000K	3 pcs
LED35ED17/750/HAZ		E26/EX39	35W	120-277V	5000 lm	5000K	3 pcs
LED45ED17/730/HAZ		E26/EX39	45W	120-277V	6000 lm	3000K	3 pcs
LED45ED17/740/HAZ		E26/EX39	45W	120-277V	6000 lm	4000K	3 pcs
LED45ED17/750/HAZ		E26/EX39	45W	120-277V	6000 lm	5000K	3 pcs
LED80ED23.5/740/HAZ			E26/EX39	80W	120-277V	12000 lm	4000K
LED80ED23.5/750/HAZ	E26/EX39		80W	120-277V	12000 lm	5000K	3 pcs
LED80ED23.5/740/277/480/HAZ	EX39		80W	277-480V	12000 lm	4000K	3 pcs
LED80ED23.5/750/277/480/HAZ		EX39	80W	277-480V	12000 lm	5000K	3 pcs
LED150ED28/740/HAZ		EX39	150W	277-480V	23500 lm	4000K	3 pcs
LED150ED28/750/HAZ		EX39	150W	277-480V	23500 lm	5000K	3 pcs
LED150ED28/740/277/480/HAZ		EX39	150W	277-480V	23500 lm	4000K	3 pcs
LED150ED28/750/277/480/HAZ		EX39	150W	277-480V	23500 lm	5000K	3 pcs

The above is only including a part of product info. Please consult us if any further product info is needed.



City/Urban
Lighting



EVOLVE

Outdoor Fixtures

Any vision. Anywhere.

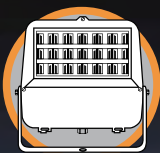
EVOLVE has you covered.



Parking Garage/
Canopy Lighting



Area/Site
Lighting



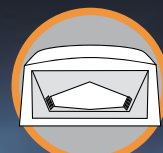
Flood
Lighting



PostTop
Lighting



Street/Roadway
Lighting



Wall Mount
Lighting

Current LED outdoor fixtures help you realize your vision of outstanding light with reduced cost.

Our comprehensive array of high technology solutions are engineered to improve the quality of light while reducing the cost of light. As the legacy company of the world's Lighting leader, our depth of experience goes back generations to the original technologies our LED products replace today. So we understand what it means to switch from HID, metal halide, and fluorescent to the extraordinary advantages of LED. Every LED product we create dramatically reduces energy usage while improving the brightness, color and life of the fixture. Our proven record of performance is unsurpassed in the industry and backed by rigorous testing that ensures reliability over long product life. No matter what your vision for the lighting challenges you face today, for roadway, area, flood, tunnel and other commercial outdoor lighting applications, **Evolve from Current has you covered.**

Any situation. Anywhere.

EVOLVE has you covered.

All outdoor LED products are not the same.

Current traces its beginnings to Thomas Edison, who founded the company that became General Electric. Over a century ago GE invented the first outdoor electric lighting and in 1962 created the first visible LED. Since then Current has been leading the way with money-saving solutions designed to save energy, improve quality of light, reduce operating costs and deliver impressive ROI.

Current LED Systems set the standard for engineering excellence. Each **Evolve™** LED fixture is designed for maximized, targeted light output and ultra energy efficiency. **The difference:** competitors often waste a significant percentage of the light by misdirecting it off your property and away from where you need it.

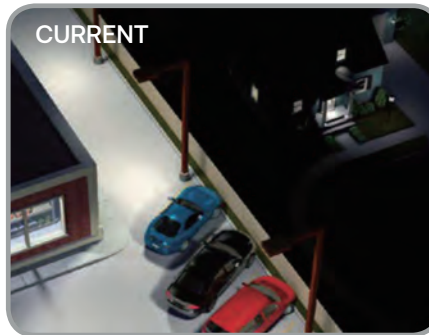
Current precision engineering puts the light exactly where you want it to be, for greater total savings and performance.



Aiming to please

Current uses an advanced reflective optic design that meets RP-8 recommended practices for luminance, illuminance and small target visibility. This unique design ensures that **Evolve™** LED Light fixtures will deliver light control with significantly less waste than the other optical technologies used by many of our competitors.

Evolve™ LED Light fixtures have improved ratings for backlight, up-light and glare (BUG ratings) to direct more light on the intended surface and not in neighboring properties, meeting tight local ordinances and International Dark-Sky (IDA) requirements.



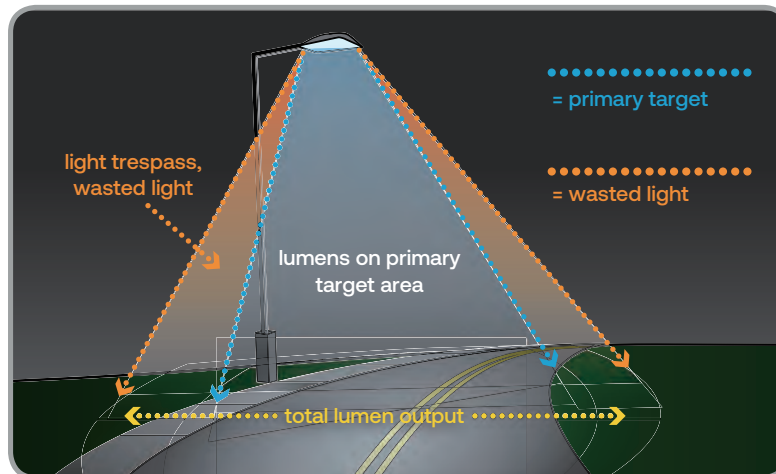
Our unique reflective technology allows us to focus light



The refractive technology design used by other manufacturers typically results in more wasted light trespass and glare at ground level.

Light on target: coefficient of utilization

By putting energy toward the task of lighting the roadway, parking lot, rail yard or work area and not the surrounding property, **Evolve™** LED Light fixtures put light where it is intended and provide more efficient utilization of light. This is known as coefficient of utilization or (CU), and is a key characteristic of any fixture when determining its ability to light the intended area. A higher CU means less wasted light which, in turn, means lower energy consumption. This will reduce costs over the life of the fixture.



Efficiency in action

- **Lumens per Watt (LPW) =**
Total Lumen Output/
Total Watts
- **Coefficient of Utilization (CU) =**
Lumens on Primary
Target Area/Total
Lumen Output
- **Higher the Coefficient of Utilization (CU) =**
Less Wasted Light

Sometimes, flat is better



Those crevices, pockets and ridges in competitor outdoor luminaires can become the perfect places for dirt and grime to collect—potentially reducing overall LED light output and impairing the intended pattern of light distribution. This problem is called Luminaire Dirt Depreciation (LDD) and it can reduce the performance of outdoor LED lighting.

Smooth operator

Current **Evolve™** LED Outdoor Luminaires with flat glass lens and reflective optics chamber offers a dirt depreciation rate of just 1.0% per year, a significant difference compared to competitor luminaires that use less streamlined lens designs and alternative optics engineering.



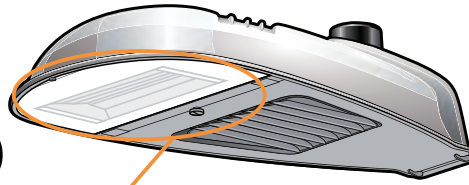
That means time and money saved on cleaning schedules.

Product	LED Optic	Dirt Depreciation Rate
Current Evolve	Flat Glass	1.0% per year
Tested Product A	Individually Molded Acrylic	1.8% per year
Tested Product B	Molded Glass	2.2% per year
Tested Product C	Individually Molded Acrylic With No Outer Optic	3.0% per year
Tested Product D	Large Individually Molded Acrylic	3.8% per year

Source: Illuminating Engineering Society, RES-1-16 Measure and Report Luminaire Dirt Depreciation (LDD) in LED Luminaires for Street and Roadway Lighting Applications; Gibbons, Palmer, Meyer, Terry

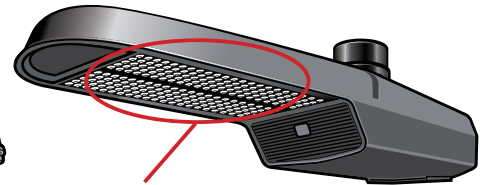
Dust and dirt just can't get a grip

The Evolve fixture houses the LEDs and reflectors in a dirt- and dust-free cavity with an IP65/IP66-rated optical enclosure and a tempered glass lens to minimize the effects of dirt. This design approach provides consistent brightness and light distribution over the life of the product.



CURRENT

Flat, tempered glass lens protects the LED optical enclosure. Lens surface is smooth and flat which is less prone to dirt accumulation.



COMPETITION

Designs that have exposed refractive optics have more crevices (or surfaces, edges, pockets) prone to dirt accumulation that could adversely affect the beam distribution pattern.

A recent Illuminating Engineering Society report* on LDD stated:

“LED luminaires with flat glassoptics were lesssusceptible to average dirt depreciation than luminaires with exposedinner optics...”

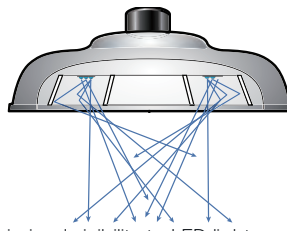
With exposed optics, especially the individually molded acrylic, the surface of the optic is much more complex, has significantly more leeward edges, and significantly more surface area. These features will cause much more turbulence over the exposed optics, enabling dirt to accumulate on each individual optic and likely leading to more dirt sticking.”

Minimizing glare

Innovative, reflective Current design carefully puts light where it is needed and minimizes direct view of the light source with a non-pixilated appearance.

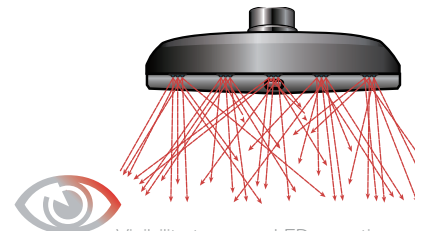
Current engineering recesses the LED array within the optic (or reflector) to limit visibility of the LEDs from the ground level, minimizing glare. Many competing optical designs use LED arrays with individual optics, making the entire array visible to the pedestrian, resulting in a pixilated appearance with higher levels of glare and increased light trespass.

CURRENT



Minimized visibility to LED light source, creating non-pixilated appearance to the pedestrian field of view.

COMPETITION



Visibility to every LED, creating a pixilated appearance and increased glare to the pedestrian field of view.

Evolve™
Production
Facility –
Hendersonville, NC



- More than 60 years of assembling products in the USA.

- **Roadway Products Produced:** Cobra Heads, High Mast, Post Tops, Security Lights

- **Outdoor Products Produced:** Area Lights, Floods, Wall Packs, Canopy/Garage

- Robust product design & extensive testing

Any distance. Anywhere.

The **smartest grid** on the block.

The **LightGrid™** Outdoor Lighting Control System provides impressive access to every fixture in your system for greater total savings and efficiency. Designed for Street and Roadway Applications, **LightGrid™** enables remote monitoring, control, and asset management of a single fixture or a group of fixtures through a web-enabled Central Management System. From your desktop, you can see what's happening right now and track trends over time, transforming your decision-making process and making your life easier.



Control Output

- On/Off & Dimming
- Constant Light Output
- Custom Scheduling (Optimize Energy Usage)



Remote Monitoring

- Report by Location
- Day Burner/Dark Night Alerts
- Fault Notification (Real Time Insight)



Maintenance Optimization

- Line Voltage Data
- Day Burner/Dark Night Alerts
- Custom Fault Notification (Streamline Repair Calls)



Utility Grade Measurement

- Accurate, Real Time Energy Metering Per Pole
- +/- 0.5% Accuracy (Measure Actual Usage)

System Elements (Hardware)



External Nodes
ELWN for Mesh and
ELWC for Cellular



Internal Nodes
ELWN for Mesh

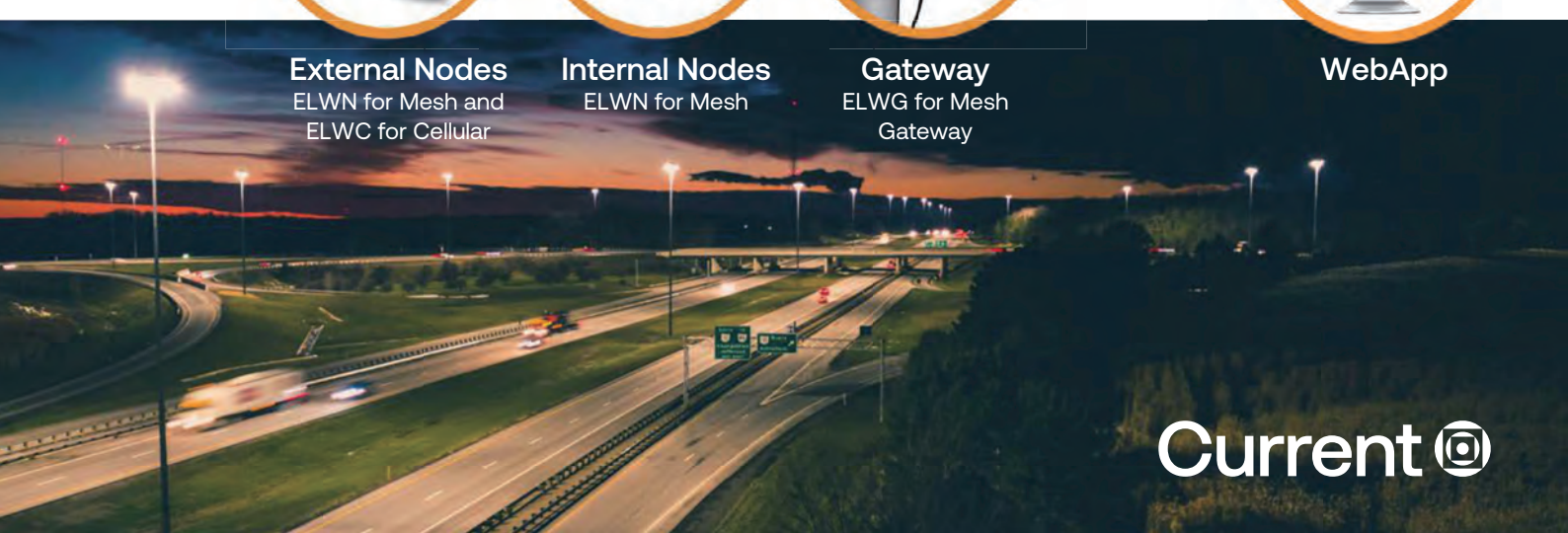


Gateway
ELWG for Mesh
Gateway

System Elements (Software)



WebApp



R850



EVOLVE Roadway





Product Features

Durable Housing

- Die-cast aluminum housing (IP66) with high impact resistance (IK08) for increased protection.
- Corrosion resistant powder coated paint, can pass 500 hrs salt spray test.

Toolless Top Opening

- Toolless top opening cover with quick access and ease of maintenance.
- Power cut-off when opening cover is optional, safe & reliable.

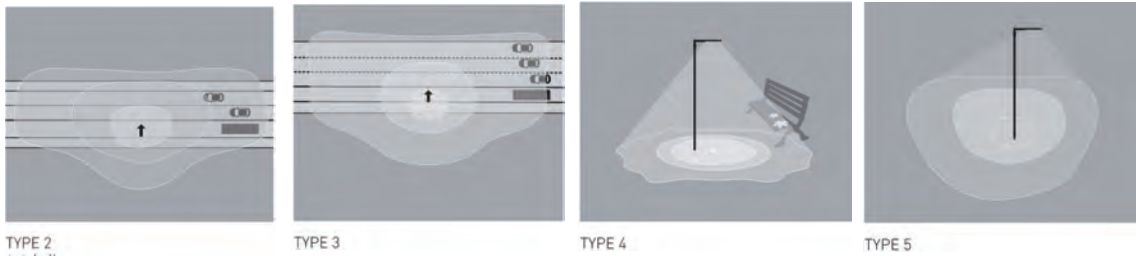


Excellent Light Output

- Up to 140 LPW efficacy with multiple-choice of light distribution, suitable for all kinds of roadway lighting.

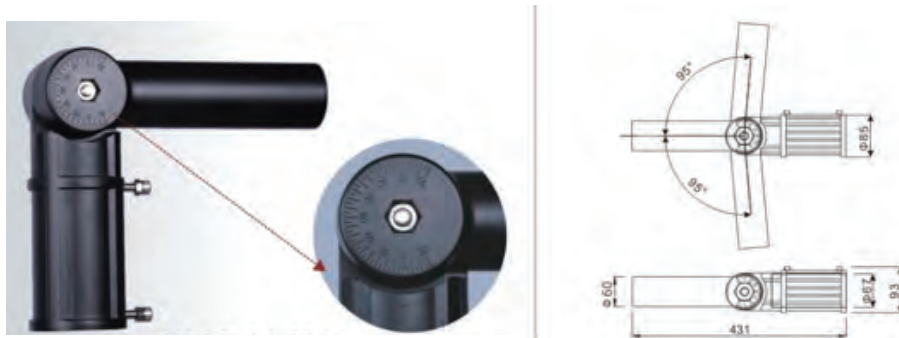
Tempered Glass Cover

- IP66 light engine with secondary tempered glass lens for easy cleaning



Adjustable Inclination

Post-top and side-entry mounting



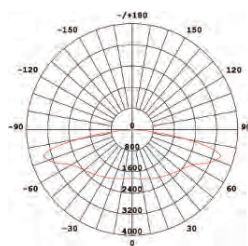
Typical Specifications

Size	Mini	Compact	Medium	Large
System Power	20-40W	60-120W	100-200W	240-300W
Lumens	5600 lm Max.	16800 lm Max.	28000 lm Max.	42000 lm Max.
System Efficacy	140 LPW Max.			
CCT	2700/3000/3500/4000/5000/5700K			
CRI	Ra≥70			
SDCM	≤5			
Beam Angle	Type II/Type III			
Input Voltage	100-240V			
Power Factor	≥0.95			
THD	≤10%			
Surge Protection	L-N 6KV,L/N-G 10KV			
Secondary SPD	10KV/20KV/15KA/20KA Optional			
Dimming	1-10V			
Control	3-pin/7-pin NEMA Receptacle Optional			
Protection	IP66/IK08			
Safety Class	Class I			
Housing Material	Die-casting Aluminum			
Working Temperature	-20~+50°C			
Rated Lifetime	50,000hrs			
Mounting	Side-entry/Post-top (with adaptor)			
Pole Diameter	60mm			

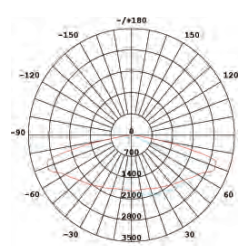
Dimension

	Size	Side-entry	N.W.
	Mini	L311 x W223 x H55 mm	1.7 Kg
	Compact	L519 x W262 x H86 mm	3.9 Kg
	Medium	L650 x W337 x H89 mm	6.2 Kg
	Large	L797 x W402 x H99 mm	10.0 Kg

Photometric



Type II



Type III



Order Logic

PROD. ID	Voltage	Power	Efficacy	CCT	DIM Function	Secondary SPD	Supply cord	Beam Angle
E: Evolve	V: 100-240V	20W	G: 120 LPW	SW: 2700K	Blank : Non-dimmable	Blank: No Secondary SPD	Blank: With supply cord	T2: Type II
R: Roadway		40W	H: 140 LPW	W: 3000K		Rt: 20KA Secondary SPD		T3: Type III
X: Mini Body		60W		WW: 3500K		R2: 10KV Secondary SPD		
S: Compact Body		80W		N: 4000K	0: Dimmable with separate cord		N: Without supply cord	
M: Medium Body		100W		C: 5000K				
L: Large Body		120W		CC: 5700K	3: 3-Pin NEMA Receptacle + Shorting cap			
8: R850		150W						
		180W						
		200W						
		240W			7: 7-Pin NEMA Receptacle +Shorting cap			
		300W						

Order Description

Description	Power	Lumens	Efficacy	CCT	Beam Angle	Secondary SPD	NEMA Socket	QTY /CTN
ERX8V20WGN0R2N-T2	20W	2400 lm	120 LPW	4000K	Type II	10KV	N	1 pc
ERX8V40WGN0R2N-T2	40W	4800 lm	120 LPW	4000K	Type II	10KV	N	1 pc
ERS8V60WGN0R2N-T2	60W	7200 lm	120 LPW	4000K	Type II	10KV	N	1 pc
ERS8V80WGN0R2N-T2	80W	9600 lm	120 LPW	4000K	Type II	10KV	N	1 pc
ERS8V100WGN0R2N-T2	100W	12000 lm	120 LPW	4000K	Type II	10KV	N	1 pc
ERS8V120WGN0R2N-T2	120W	14400 lm	120 LPW	4000K	Type II	10KV	N	1 pc
ERM8V150WGN0R2N-T2	150W	18000 lm	120 LPW	4000K	Type II	10KV	N	1 pc
ERM8V180WGN0R2N-T2	180W	21600 lm	120 LPW	4000K	Type II	10KV	N	1 pc
ERM8V200WGN0R2N-T2	200W	24000 lm	120 LPW	4000K	Type II	10KV	N	1 pc
ERL8V240WGN0R2N-T2	240W	28800 lm	120 LPW	4000K	Type II	10KV	N	1 pc
ERM8V300WGN0R2N-T2	300W	36000 lm	120 LPW	4000K	Type II	10KV	N	1 pc
ERX8V20WHN0R1N-T2	20W	2800 lm	140 LPW	4000K	Type II	20KA	N	1 pc
ERX8V40WHN0R1N-T2	40W	5600 lm	140 LPW	4000K	Type II	20KA	N	1 pc
ERS8V60WHN7R1N-T2	60W	8400 lm	140 LPW	4000K	Type II	20KA	7-Pin+Shorting cap	1 pc
ERS8V80WHN7R1N-T2	80W	11200 lm	140 LPW	4000K	Type II	20KA	7-Pin+Shorting cap	1 pc
ERM8V100WHN7R1N-T2	100W	14000 lm	140 LPW	4000K	Type II	20KA	7-Pin+Shorting cap	1 pc
ERM8V120WHN7R1N-T2	120W	16800 lm	140 LPW	4000K	Type II	20KA	7-Pin+Shorting cap	1 pc
ERM8V150WHN7R1N-T2	150W	21000 lm	140 LPW	4000K	Type II	20KA	7-Pin+Shorting cap	1 pc
ERM8V180WHN7R1N-T2	180W	25200 lm	140 LPW	4000K	Type II	20KA	7-Pin+Shorting cap	1 pc
ERL8V200WHN7R1N-T2	200W	28000 lm	140 LPW	4000K	Type II	20KA	7-Pin+Shorting cap	1 pc
ERL8V240WHN7R1N-T2	240W	33600 lm	140 LPW	4000K	Type II	20KA	7-Pin+Shorting cap	1 pc
ERL8V300WHN7R1N-T2	300W	42000 lm	140 LPW	4000K	Type II	20KA	7-Pin+Shorting cap	1 pc

The above is only including a part of product info. Please consult us if any further product info is needed.

R650



EVOLVE Roadway





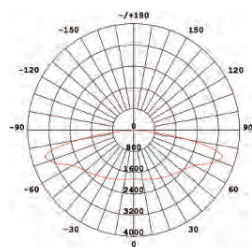
Typical Specifications

Size	Mini	Compact	Medium	Large	Extra Large
System Power	30-50W	60-90W	100-160W	200-240W	280-320W
Lumens	7000 lm Max.	12600 lm Max.	22400 lm Max.	33600 lm Max.	44800 lm Max.
System Efficacy	140 LPW Max.				
CCT	2700/3000/3500/4000/5000/5700/6500K				
CRI	Ra≥70				
SDCM	≤5				
Beam Angle	Type II/Type III				
Input Voltage	100-240V				
Power Factor	≥0.9				
THD	≤15%				
Surge Protection	L-N 6KV,L/N-G 10KV				
Secondary SPD	10KV/20KV Optional				
Dimming	1-10V				
Control	3-pin/7-pin NEMA Socket Optional				
Protection	IP66/IK10				
Safety Class	Class I				
Housing Material	Die-casting Aluminum				
Working Temperature	-40~+50°C				
Rated Lifetime	50,000 hrs				
Mounting	Sid-entry/Post-top				
Pole Diameter	48-60mm		60-76mm		

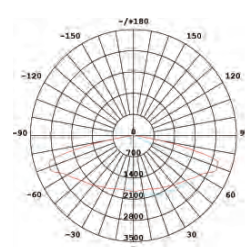
Dimension

	Size	Post-top	Side-entry	N.W.
	Mini	L384 x W251 x H187 mm	L465 x W251 x H106 mm	3.4 Kg
	Compact	L450 x W259 x H192 mm	L531 x W259 x H111 mm	4.2 Kg
	Medium	L606 x W311 x H222 mm	L711 x W311 x H117 mm	6.2 Kg
	Large	L747 x W361 x H245 mm	L863 x W361 x H129 mm	8.9 Kg
	Extra	L933 x W440 x H230 mm	L1019 x W440 x H145 mm	16.1 Kg

Photometric



Type II



Type III

Order Logic

PROD. ID	Voltage	Beam Angle	CCT	Power	Efficacy	NEMA Socket	Color	SPD	PE
ERX6: R650 Mini	V: Premium M: Regular	T2: Type II T3: Type III	W: 3000K WW: 3500K N: 4000K C: 5700K	30W 40W 60W 80W 100W 120W 150W 160W 180W 200W 240W 280W 300W 320W	G: 120 LPW H: 140 LPW	0: No NEMA Socket 3: 3-Pin NEMA Socket+ Shorting cap 7: 7-Pin NEMA Socket+Shorting cap	G: Gray B: Black	Default: No Secondary SPD Rt: 10KV Secondary SPD R2: 20KV Secondary SPD	Default: No PE PE: With Photocell

Order Description

Description	Power	Lumens	Efficacy	CCT	Beam Angle	Secondary SPD	NEMA Socket	QTY/CTN
ERX6VT2WW30WH0G	30W	4200 lm	140 LPW	3500K	Type II	N	N	1 pc
ERX6VT2WW40WH0G	40W	5600 lm	140 LPW	3500K	Type II	N	N	1 pc
ERS6VT2WW60WH0G	60W	8400 lm	140 LPW	3500K	Type II	N	N	1 pc
ERS6VT2WW80WH0G	80W	11200 lm	140 LPW	3500K	Type II	N	N	1 pc
ERS6VT2WW100WH0G	100W	14000 lm	140 LPW	3500K	Type II	N	N	1 pc
ERM6VT2WW120WH0G	120W	16800 lm	140 LPW	3500K	Type II	N	N	1 pc
ERM6VT2WW160WH0G	160W	22400 lm	140 LPW	3500K	Type II	N	N	1 pc
ERL6VT2WW200WH0G	200W	28000 lm	140 LPW	3500K	Type II	N	N	1 pc
ERL6VT2WW240WH0G	240W	33600 lm	140 LPW	3500K	Type II	N	N	1 pc
ERP6VT2WW280WH0G	280W	39200 lm	140 LPW	3500K	Type II	N	N	1 pc
ERP6VT2WW320WH0G	320W	44800 lm	140 LPW	3500K	Type II	N	N	1 pc
ERX6VT2C30WH0G	30W	4200 lm	140 LPW	5700K	Type II	N	N	1 pc
ERX6VT2C40WH0G	40W	5600 lm	140 LPW	5700K	Type II	N	N	1 pc
ERS6VT2C60WH0G	60W	8400 lm	140 LPW	5700K	Type II	N	N	1 pc
ERS6VT2C80WH0G	80W	11200 lm	140 LPW	5700K	Type II	N	N	1 pc
ERS6VT2C100WH0G	100W	14000 lm	140 LPW	5700K	Type II	N	N	1 pc
ERM6VT2C120WH0G	120W	16800 lm	140 LPW	5700K	Type II	N	N	1 pc
ERM6VT2C160WH0G	160W	22400 lm	140 LPW	5700K	Type II	N	N	1 pc
ERL6VT2C200WH0G	200W	28000 lm	140 LPW	5700K	Type II	N	N	1 pc
ERL6VT2C240WH0G	240W	33600 lm	140 LPW	5700K	Type II	N	N	1 pc
ERP6VT2C280WH0G	280W	39200 lm	140 LPW	5700K	Type II	N	N	1 pc
ERP6VT2C320WH0G	320W	44800 lm	140 LPW	5700K	Type II	N	N	1 pc

The above is only including a part of product info. Please consult us if any further product info is needed.

R350



EVOLVE Roadway



Current 

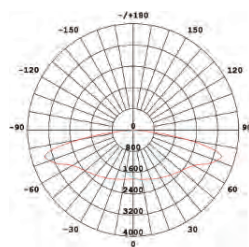
Typical Specifications

System Power	30-60W	80-120W	150-180W	200-240W
Lumens	8400 lm Max.	16800 lm Max.	25200 lm Max.	33600 lm Max.
System Efficacy	140 LPW Max.			
CCT	3000/3500/4000/5700K			
CRI	Ra≥70			
SDCM	≤5			
Beam Angle	Type II/Type III			
Input Voltage	120-240V/120-277V			
Power Factor	≥0.95			
THD	≤20%			
Surge Protection	L-N: 6KV, L/N-G: 10KV			
Secondary SPD	10KV/20KV/20KA			
Dimming	0-10V			
Control	3-pin/7-pin NEMA Socket Optional			
Protection	IP66/IK08			
Safety Class	Class I			
Housing Material	Die-casting Aluminum			
Working Temperature	-40~+50°C			
Rated Lifetime	50,000 hrs			
Mounting	Side-entry/Post-top			
Pole Diameter	40-50mm	55-65mm	66-76mm	

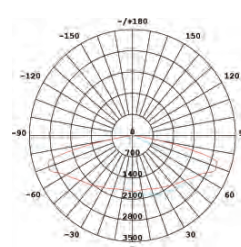
Dimension

	Power	Dimension (Side Entry)	Dimension (Post Top)	N.W.
	30-60W	L570 x W240 x H180 mm	L475 x W240 x H280 mm	5.8 Kg
	80-120W	L615 x W330 x H185 mm	L515 x W330 x H285 mm	7.8 Kg
	150-180W	L680 x W330 x H185 mm	L580 x W330 x H285 mm	9.0 Kg
	200-240W	L745 x W330 x H185 mm	L645 x W330 x H285 mm	10.0 Kg

Photometric



Type II



Type III

Order Logic

PROD. ID	Driver	Optic	CCT	Power	Efficacy	NEMA Socket	Color	SPD	OPTIONS
ERM3: R350 Roadway	U: 120-277V Dimmable N: 120-277V Non Dimmable V: 120-240V	T3: Type II T5: Type III	W: 3000K WW: 3500K N: 4000K CC: 5700K	40W 50W 60W 80W 100W 120W 150W 180W 200W 240W	H: 140 LPW	0: No NEMA Socket 3: 3-Pin NEMA Socket+ Shorting cap 7: 7-Pin NEMA Socket+Shorting cap	G: Gray B: Black	Default: No Secondary SPD R1: 10KV Secondary SPD R3: 20KV Secondary SPD	Leave it blank as default L-Alternative LED L5-Alternative LED LXN5050 PS-Pole Sleeve PE-Photocell

Order Description

Description	Power	Lumens	Efficacy	CCT	Beam Angle	Secondary SPD	NEMA Socket	QTY/CTN
ERM3VT3W80WH7GR3-L5	80W	10560 lm	132 LPW	3000K	Type II	20KV	7-Pin	1 pc
ERM3VT3W100WH7GR3-L5	100W	13200 lm	132 LPW	3000K	Type II	20KV	7-Pin	1 pc
ERM3VT3W120WH7GR3-L5	120W	15840 lm	132 LPW	3000K	Type II	20KV	7-Pin	1 pc
ERM3VT3W150WH7GR3-L5	150W	19800 lm	132 LPW	3000K	Type II	20KV	7-Pin	1 pc
ERM3VT3W180WH7GR3-L5	180W	23760 lm	132 LPW	3000K	Type II	20KV	7-Pin	1 pc
ERM3VT3W200WH7GR3-L5	200W	26400 lm	132 LPW	3000K	Type II	20KV	7-Pin	1 pc
ERM3VT3W240WH7GR3-L5	240W	31680 lm	132 LPW	3000K	Type II	20KV	7-Pin	1 pc
ERM3VT5WW80WH7GR3-L5	80W	11200 lm	140 LPW	3500K	Type III	20KV	7-Pin	1 pc
ERM3VT5WW100WH7GR3-L5	100W	14000 lm	140 LPW	3500K	Type III	20KV	7-Pin	1 pc
ERM3VT5WW120WH7GR3-L5	120W	16800 lm	140 LPW	3500K	Type III	20KV	7-Pin	1 pc
ERM3VT5WW150WH7GR3-L5	150W	21000 lm	140 LPW	3500K	Type III	20KV	7-Pin	1 pc
ERM3VT5WW180WH7GR3-L5	180W	25200 lm	140 LPW	3500K	Type III	20KV	7-Pin	1 pc
ERM3VT5WW200WH7GR3-L5	200W	28000 lm	140 LPW	3500K	Type III	20KV	7-Pin	1 pc
ERM3VT5WW240WH7GR3-L5	240W	33600 lm	140 LPW	3500K	Type III	20KV	7-Pin	1 pc
ERM3VT5CC80WH7GR3-L5	80W	11200 lm	140 LPW	5700K	Type III	20KV	7-Pin	1 pc
ERM3VT5CC100WH7GR3-L5	100W	14000 lm	140 LPW	5700K	Type III	20KV	7-Pin	1 pc
ERM3VT5CC120WH7GR3-L5	120W	16800 lm	140 LPW	5700K	Type III	20KV	7-Pin	1 pc
ERM3VT5CC150WH7GR3-L5	150W	21000 lm	140 LPW	5700K	Type III	20KV	7-Pin	1 pc
ERM3VT5CC180WH7GR3-L5	180W	25200 lm	140 LPW	5700K	Type III	20KV	7-Pin	1 pc
ERM3VT5CC200WH7GR3-L5	200W	28000 lm	140 LPW	5700K	Type III	20KV	7-Pin	1 pc
ERM3VT5CC240WH7GR3-L5	240W	33600 lm	140 LPW	5700K	Type III	20KV	7-Pin	1 pc

The above is only including a part of product info. Please consult us if any further product info is needed.

GRM



EVOLVE Roadway





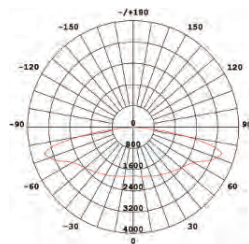
Typical Specifications

System Power	60W	100W	120W	180W	240W
Lumens	8400 lm Max.	14000 lm Max.	16800 lm Max.	25200 lm Max.	33600 lm Max.
System Efficacy	140 LPW Max.				
CCT	3000/3500/4000/5700K				
CRI	Ra≥70				
SDCM	≤5				
Beam Angle	Type II/Type III				
Input Voltage	120-277V				
Power Factor	≥0.9				
THD	≤20%				
Surge Protection	L-N 6KV,L/N-G 10KV				
Secondary SPD	10KV/20KV Optional				
Dimming	0-10V				
Control	3-Pin/7-Pin NEMA Socket Optional				
Protection	IP66/IK08				
Safety Class	Class I				
Housing Material	Die-casting Aluminum				
Working Temperature	-40~+50°C				
Rated Lifetime	50,000 hrs				
Mounting	Side-entry/Post-top (with adaptor)				
Pole Diameter	57-63mm				

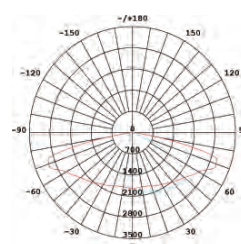
Dimension

	Power	Dimension	N.W.
	60W	L395 x W180 x H235 mm	3.1 Kg
	100W	L465 x W220 x H240 mm	4.0 Kg
	120W	L495 x W340 x H260 mm	5.3 Kg
	180W	L570 x W340 x H260 mm	6.0 Kg
	240W	L655 x W340 x H260 mm	6.9 Kg

Photometric



Type II



Type III

Order Logic

GRM	1	U	T3	C	30W	H	0	G	R1	L5
PROD. ID	Module Code	Voltage	Beam Angle	CCT	Power	Efficacy	NEMA Socket	Color	SPD	Options
GRM: GRM Roadway	1: Module A	U: 120-277V Dimmable	T3: Type II	W: 3000K	60W	G: 120-130LPW	0: No NEMA Socket	G: Gray	Default: No Secondary SPD	L-Alternative LED
	2: Module B	N: 120-277V Non Dimmable	T5: Type III	WW: 3500K	100W	H: 140LPW	3: 3-Pin NEMA Socket+ Shorting cap	B: Black	R1: 10KV Secondary SPD	L5-Alternative LED
	3: Module C	V: 100-240V Dimmable		N: 4000K	120W		7: 7-Pin NEMA Socket+Shorting cap		R3: 20KV Secondary SPD	PS-Pole Sleeve
	4: Module D			CR: 5700K	180W					PE-Photocell
	5: Module E				240W					

Order Description

Description	Power	Lumens	Efficacy	CCT	Beam Angle	Secondary SPD	NEMA Socket	QTY/CTN
GRM1VT3N040WG0GR1	40W	5000 lm	125 LPW	4000K	Type II	10KV	N	1 pc
GRM1VT3N060WG0GR1	60W	7500 lm	125 LPW	4000K	Type II	10KV	N	1 pc
GRM1VT3N080WG0GR1	80W	10000 lm	125 LPW	4000K	Type II	10KV	N	1 pc
GRM2VT3N100WG0GR1	100W	12500 lm	125 LPW	4000K	Type II	10KV	N	1 pc
GRM3VT3N120WG0GR1	120W	15000 lm	125 LPW	4000K	Type II	10KV	N	1 pc
GRM4VT3N180WG0GR1	180W	22500 lm	125 LPW	4000K	Type II	10KV	N	1 pc
GRM4VT3N200WG0GR1	200W	25000 lm	125 LPW	4000K	Type II	10KV	N	1 pc
GRM5VT3N240WG0GR1	240W	30000 lm	125 LPW	4000K	Type II	10KV	N	1 pc
GRM1VT3CR040WG0GR1	40W	5000 lm	125 LPW	5700K	Type II	10KV	N	1 pc
GRM1VT3CR060WG0GR1	60W	7500 lm	125 LPW	5700K	Type II	10KV	N	1 pc
GRM1VT3CR080WG0GR1	80W	10000 lm	125 LPW	5700K	Type II	10KV	N	1 pc
GRM2VT3CR100WG0GR1	100W	12500 lm	125 LPW	5700K	Type II	10KV	N	1 pc
GRM3VT3CR120WG0GR1	120W	15000 lm	125 LPW	5700K	Type II	10KV	N	1 pc
GRM4VT3CR180WG0GR1	180W	22500 lm	125 LPW	5700K	Type II	10KV	N	1 pc
GRM4VT3CR200WG0GR1	200W	25000 lm	125 LPW	5700K	Type II	10KV	N	1 pc
GRM5VT3CR240WG0GR1	240W	30000 lm	125 LPW	5700K	Type II	10KV	N	1 pc
GRM1VT3N040WH7GR1	40W	5000 lm	140 LPW	4000K	Type II	10KV	7-Pin	1 pc
GRM1VT3N060WH7GR1	60W	7500 lm	140 LPW	4000K	Type II	10KV	7-Pin	1 pc
GRM1VT3N080WH7GR1	80W	10000 lm	140 LPW	4000K	Type II	10KV	7-Pin	1 pc
GRM2VT3N100WH7GR1	100W	12500 lm	140 LPW	4000K	Type II	10KV	7-Pin	1 pc
GRM3VT3N120WH7GR1	120W	15000 lm	140 LPW	4000K	Type II	10KV	7-Pin	1 pc
GRM4VT3N180WH7GR1	180W	22500 lm	140 LPW	4000K	Type II	10KV	7-Pin	1 pc
GRM4VT3N200WH7GR1	200W	25000 lm	140 LPW	4000K	Type II	10KV	7-Pin	1 pc
GRM5VT3N240WH7GR1	240W	30000 lm	140 LPW	4000K	Type II	10KV	7-Pin	1 pc
GRM1VT3CR040WH7GR1	40W	5000 lm	140 LPW	5700K	Type II	10KV	7-Pin	1 pc
GRM1VT3CR060WH7GR1	60W	7500 lm	140 LPW	5700K	Type II	10KV	7-Pin	1 pc
GRM1VT3CR080WH7GR1	80W	10000 lm	140 LPW	5700K	Type II	10KV	7-Pin	1 pc
GRM2VT3CR100WH7GR1	100W	12500 lm	140 LPW	5700K	Type II	10KV	7-Pin	1 pc
GRM3VT3CR120WH7GR1	120W	15000 lm	140 LPW	5700K	Type II	10KV	7-Pin	1 pc
GRM4VT3CR180WH7GR1	180W	22500 lm	140 LPW	5700K	Type II	10KV	7-Pin	1 pc
GRM4VT3CR200WH7GR1	200W	25000 lm	140 LPW	5700K	Type II	10KV	7-Pin	1 pc
GRM5VT3CR240WH7GR1	240W	30000 lm	140 LPW	5700K	Type II	10KV	7-Pin	1 pc

The above is only including a part of product info. Please consult us if any further product info is needed.

Light, **Wherever You Are**

E V O L V E has you covered.

Solar lighting can be a lifesaver in remote areas that lack the needed infrastructure. Our world-class solutions provide up to 200 lm/W, to light up places the power grid cannot reach. Furthermore, Current has a professional team that is able to provide you with **Global Solar Energy Calculations (GSEC)** to help assess your design needs and ROI.



HIGH EFFICIENCY

Our solar technology is among the most stable, advanced and mature in the global market today, with an efficacy of up to 200 lm/W. This provides brighter illumination with lower power consumption, optimizing solar energy utilization and minimizing waste.



ePowerMax



ePowerEco



ePG-S



ePG-B



ePG-R

Current 

DURABLE SOLAR PANELS

Our solutions come equipped with tough, high-efficiency Monocrystalline silicon solar panels. They have a **photoelectric conversion efficiency of 23%**, surpassing traditional solar panels by more than 30%. This exceptional energy capture ensures continuous lighting, even when the sky is cloudy. Built to last with resistance to weathering and corrosion, our solar panels have a **20 year lifespan**.



LONG LASTING BATTERIES



Our solar lights are powered by robust, high-capacity batteries, ensuring bright and uninterrupted illumination. We're committed to using **LiFePO4** batteries that meet global safety and performance standards, guaranteeing **unmatched reliability and longevity**. For example, in terms of charge cycles, **LiFePO4 batteries outperform Ternary batteries by more than 2x**.

INTELLIGENT LIGHTING

Integrated sensors and controllers enable light output optimization while balancing the need to harvest energy for nights and periods of low sunlight. **Lights can be dimmed, timed or activated by motion as needed or via customized programming using our MPPT Solar Controller**. There is also a hybrid power option that automatically to draw from the power grid whenever it is needed.



ePowerMax
Solar Lantern



EVOLVE Roadway

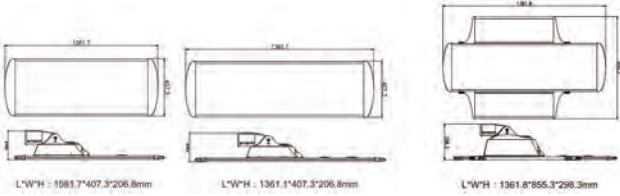
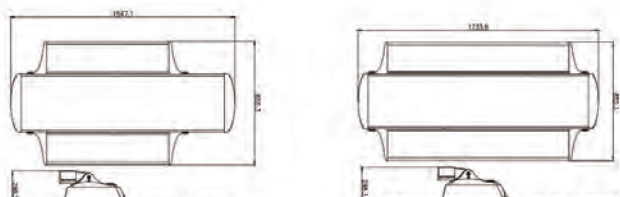




Current

Typical Specifications

System Power	40W	50W	60W	80W	100W	120W
Solar Panel	80W	100W	150W	180W	240W	270W
Lumens	5600lm	7200lm	9000lm	12000lm	15000lm	18000lm
Operation Mode J	4hrs - 100%, 2hrs - 60% & 6hrs - 40%					
Operation Mode S	100% - until dawn					
Operation Mode U	100% - 1hrs, 70% - 3hrs, 50% when motion detected & 20% standby after 20s					
System Efficacy	200 LPW Max.					
CCT	3000k - 5700K					
CRI	Ra≥70					
SDCM	≤5					
Beam Angle	Type II S/Type II M/ Type III					
Secondary SPD	10KV/20KV Optional					
Dimming	0-10V					
Charging	MPPT					
Overheat Protection	Yes					
Output Short Circuit Protection	Yes					
Protection	IP66/IK09					
Safety Class	Class I					
Fixture Standards	IEC 60598-1, IEC 60598-2-3					
Battery Standards	IEC 62133 - 2					
Solar Panel Standards	IEC 61215, IEC 61730 ed. 1 & 2					
Housing Material	Die-cast Aluminum with corrosion resistant powder coated paint					
Working Temperature	-40~+50°C					
Rated Lifetime	50,000 hrs					
Pole Diameter	60-80mm					

Dimension

	Fixture Wattage	Side Entry Dimension	N.W.	Spigot (Ø mm)
	40W	L1081.7 x W407.3 x H206.8 mm	14 Kg	Ø 85mm
	50W	L1361.1 x W407.3 x H206.8 mm	18.5 Kg	Ø 85mm
	60W	L1361.8 x W855.3 x H298.3 mm	28.5 Kg	Ø 85mm
	80W	L1547.1 x W855.3 x H298.3 mm	31.5 Kg	Ø 85mm
	100W	L1733.8 x W855.3 x H298.3 mm	37.5 Kg	Ø 85mm
	120W	L1733.8 x W855.3 x H298.3 mm	44.5 Kg	Ø 85mm





Product Features

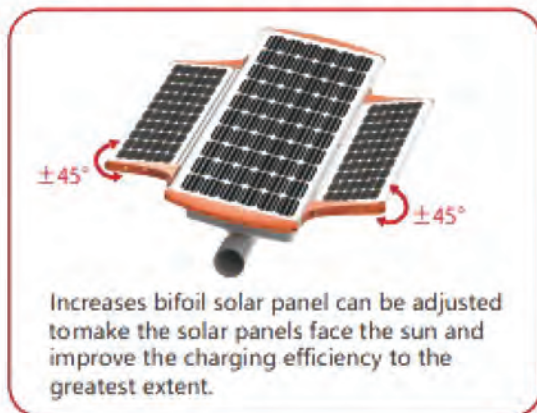
Installation



Super High Power



Adjustable Solar Panel



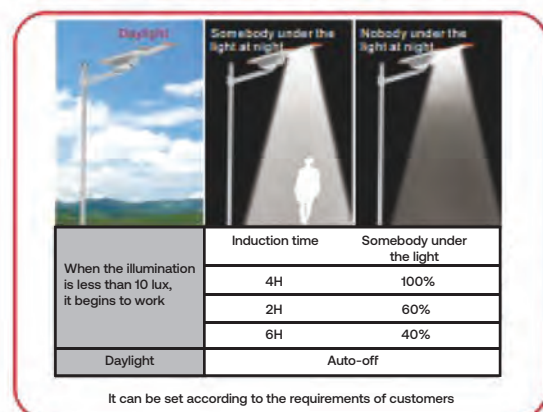
Convenient Maintenance



Networking Control



Sensor Control System



Order Logic

PROD. ID	CCT	Operation Mode	Wattage	Light Distribution	Color	Optional
ePx= ePowerMax Solar Street Lantern	WW: 3000K	J=J mode	40W	T2S:=Type II Short	G= Gray	MS=Motion Sensor
	N: 4000K	S=S mode	60W	T2M:=Type II Medium	B= Black	HB=Hybrid
	CW: 5700K	U=U mode	80W	T3=Type III		SA=Standalone
			100W			
			120W			

Order Description

Description	Solar Panel	CCT	Fixture Wattage	Lumens (lm)	LiFePO4 Battery	Distribution	Operation Mode	Option
ePXWWJ40WT2SGSA	80W	3000K	40W	5600	537.6Wh	Type IIS	J	Standalone
ePXWWJ50WT2SGSA	100W	3000K	50W	7200	691.2Wh	Type IIS	J	Standalone
ePXWWJ60WT2SGSA	150W	3000K	60W	9000	921.6Wh	Type IIS	J	Standalone
ePXWWJ80WT2SGSA	180W	3500K	80W	12000	1075Wh	Type IIS	J	Standalone
ePXWWJ100WT2SGSA	240W	3500K	100W	15000	1228Wh	Type IIS	J	Standalone
ePXCWJ40WT2SGHB	80W	5700K	40W	5600	537.6Wh	Type IIS	J	Hybrid
ePXCWJ50WT2SGHB	100W	5700K	50W	7200	691.2Wh	Type IIS	J	Hybrid
ePXCWJ60WT2SGHB	150W	5700K	60W	9000	921.6Wh	Type IIS	J	Hybrid
ePXCWJ80WT2SGHB	180W	5700K	80W	12000	1075Wh	Type IIS	J	Hybrid
ePXCWJ100WT2SGHB	240W	5700K	100W	15000	1228Wh	Type IIS	J	Hybrid
ePXCWJ120WT2SGHB	270W	5700K	120W	18000	1474Wh	Type IIS	J	Hybrid

* Customize specification is available upon request

** Above only partially of product info. Please consult us if you need full product order logic.

ePowerEco
Solar Lantern



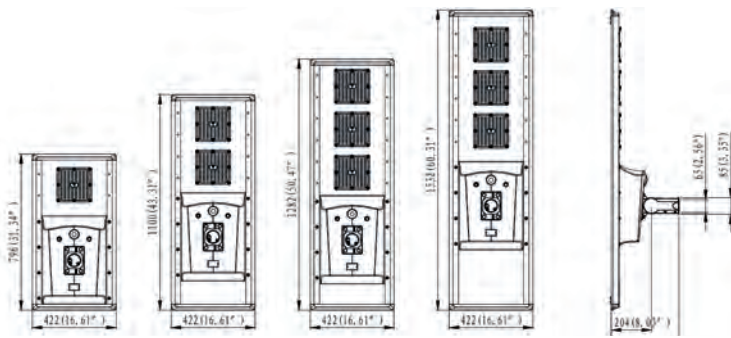
EVOLVE Roadway



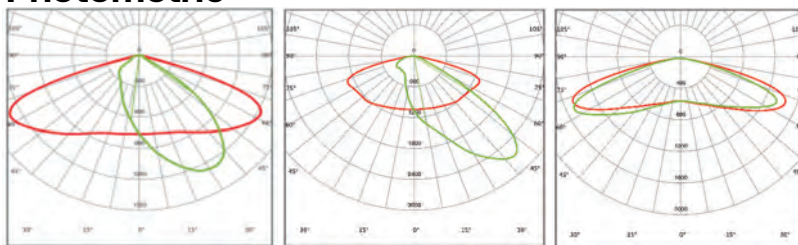
Typical Specifications

System Power	30W	40W	50W	60W	80W	100W
Solar Panel	45W	60W	80W	100W	120W	150W
Lumens	6000lm	8000lm	10000lm	12000lm	16000lm	20000lm
Operation Mode J	4hrs - 100%, 2hrs - 60% & 6hrs - 40%					
Operation Mode S	100% - until dawn					
Operation Mode U	100% - 1hrs, 70% - 3hrs, 50% when motion detected & 20% standby after 20s					
System Efficacy	200 LPW Max.					
CCT	3000k - 5700K					
CRI	Ra≥70					
SDCM	≤5					
Beam Angle	Type II /Type III /Type IV					
Secondary SPD	10KV/20KV Optional					
Charging	MPPT					
Overheat Protection	Yes					
Output Short Circuit Protection	Yes					
Protection	IP65/IK09					
Safety Class	Class I					
Fixture Standards	IEC 60598-1, IEC 60598-2-3					
Battery Standards	IEC 62133 - 2					
Solar Panel Standards	IEC 61215, IEC 61730 ed. 1					
Housing Material	Die-cast Aluminum with corrosion resistant powder coated paint					
Working Temperature	-10~+50°C					
Rated Lifetime	50,000 hrs					
Pole Diameter	60-76mm					

Dimension

	Fixture Wattage	Side Entry Dimension	N.W.
	30W	L796 x W422 x H342mm	13.5 Kg
40W	L1100 x W422 x H342mm	16.5 Kg	
50W	L1100 x W422 x H342mm	17 Kg	
60W	L1282 x W422 x H342mm	20 Kg	
80W	L1282 x W422 x H342mm	21.5 Kg	
100W	L1532 x W422 x H342mm	24 Kg	

Photometric





Order Logic

PROD. ID	CCT	Operation Mode	Wattage	Light Distribution	Optional
ePE= ePowerEco Solar Street Lantern	WW: 3000K	J=J mode	30W	T2=Type II	MS=Motion Sensor
	N: 4000K	S=S mode	40W	T3=Type III	HB=Hybrid
	CW: 5700K	U=U mode	60W	T4=Type IV	SA=Standalone
			80W		
			100W		

Order Description

Description	Solar Panel	CCT	Fixture Wattage	Lumens (lm)	LFEP04 Battery	Distribution	Operation Mode	Option	QTY/CTN
ePEWWJ30WT2SA	45W	3000K	30W	6000	230.4Wh	Type II	J	Standalone	1 pc
ePEWWJ40WT2SA	60W	3000K	40W	8000	307.2Wh	Type II	J	Standalone	1 pc
ePEWWJ50WT2SA	80W	3000K	50W	10000	384Wh	Type II	J	Standalone	1 pc
ePEWWJ60WT2SA	100W	3000K	60W	12000	450.8Wh	Type II	J	Standalone	1 pc
ePEWWJ80WT2SA	120W	3500K	80W	16000	614.4Wh	Type II	J	Standalone	1 pc
ePEWWJ100WT2SA	150W	3500K	100W	20000	768Wh	Type II	J	Standalone	1 pc
ePECWJ30WT2HB	45W	5700K	30W	6000	230.4Wh	Type II	J	Hybrid	1 pc
ePECWJ40WT2HB	60W	5700K	40W	8000	307.2Wh	Type II	J	Hybrid	1 pc
ePECWJ50WT2HB	80W	5700K	50W	10000	384Wh	Type II	J	Hybrid	1 pc
ePECWJ60WT2HB	100W	5700K	60W	12000	450.8Wh	Type II	J	Hybrid	1 pc
ePECWJ80WT2HB	120W	5700K	80W	16000	614.4Wh	Type II	J	Hybrid	1 pc
ePECWJ100WT2HB	150W	5700K	100W	20000	768Wh	Type II	J	Hybrid	1 pc

* Customize specification is available upon request

** Above only partially of product info. Please consult us if you need full product order logic.

ePG-S



EVOLVE Solar LED Garden Lantern

The Evolve Solar LED Garden Lantern offers streamlined design that blends in smoothly with the environment to create a beautiful urban landscape





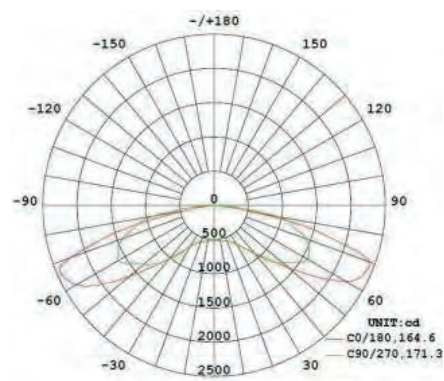
Typical Specifications

System Power	10W	20W	30W
Lumens	1900lm	3800lm	5700lm
Autonomy	2 Days		
System Efficacy	190 LPW Max.		
CCT	3000K - 6500K		
CRI	Ra≥70		
SDCM	≤5		
Beam Angle	Type V		
Charging	MPPT		
Overheat Protection	Yes		
Output Short Circuit Protection	Yes		
Protection	IP66/IK07		
Safety Class	Class I		
Fixture Standards	IEC 60598-2-3		
Battery Standards	IEC 62133 – 2		
Solar Panel Standards	IEC 61215, IEC 61730 ed. 1		
Housing Material	Die-cast Aluminum with corrosion resistant powder coated paint		
Working Temperature	-10~+50°C		
Rated Lifetime	50,000 hrs		

Dimension

	Fixture Wattage	Side Entry Dimension	N.W.
	30W	L796 x W422 x H342mm	13.5 Kg
	40W	L1100 x W422 x H342mm	16.5 Kg
	50W	L1100 x W422 x H342mm	17 Kg

Photometric



Order Logic

ePG-S 10W 7 40 T5 B S -

PROD. ID	Wattage	Ra	CCT	Light Distribution	Color	Input Version	Optional
ePG-S= ePower-Garden Square series Solar Lantern	10W	7=Ra70	30=3000K	T5=Type V	B=Black S=Silver	S=Solar	PR=PIR Sensor
	20W		35= 3500K			A=AC220V input	MS=Microwave Sensor
	30W		40=4000K			H=Solar+AC220V	Blank= Without Sensor
			57=5700K				
	65=6500K						

Order Description

Description	Solar Panel	Ra	CCT	Fixture Wattage	Lumens (lm)	LFEP04 Battery	Distribution	QTY/CTN
ePG-S10W740T5BS	35W	70	4000K	10W	1,900	76.8Wh	Type V	1 pc
ePG-S20W740T5BS	35W	70	4000K	20W	3,800	153.6Wh	Type V	1 pc
ePG-S30W740T5BS	35W	70	4000K	30W	5,700	230.4Wh	Type V	1 pc
ePG-S10W757T5BS	35W	70	5700K	10W	1,900	76.8Wh	Type V	1 pc
ePG-S20W757T5BS	35W	70	5700K	20W	3,800	153.6Wh	Type V	1 pc
ePG-S30W757T5BS	35W	70	5700K	30W	5,700	230.4Wh	Type V	1 pc

* Customize specification is available upon request

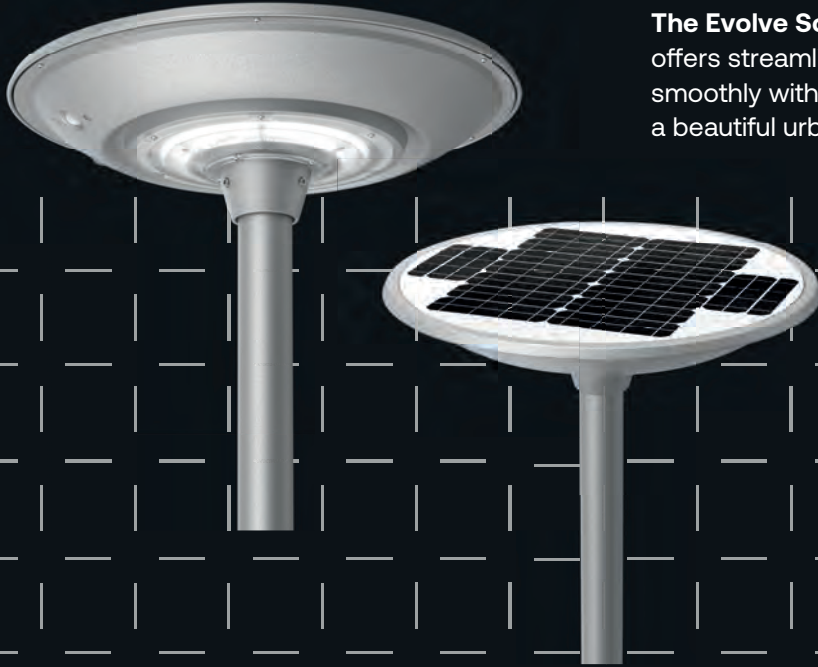
** Above only partially of product info. Please consult us if you need full product order logic.



ePG-R



EVOLVE Solar LED Garden Lantern



The Evolve Solar LED Garden Lantern offers streamlined design that blends in smoothly with the environment to create a beautiful urban landscape

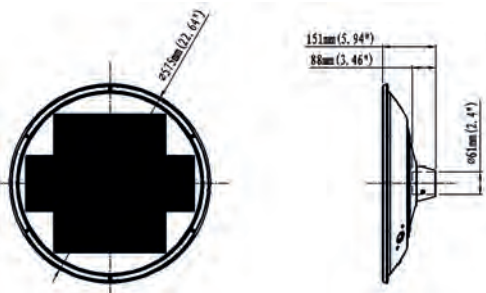


Current

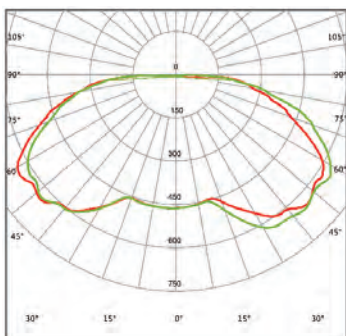
Typical Specifications

System Power	10W	20W	30W
Lumens	1300lm	2600lm	3900lm
Autonomy	2 Days		
System Efficacy	130 LPW Max.		
CCT	3000K - 7500K		
CRI	Ra≥70		
SDCM	≤5		
Beam Angle	A1		
Charging	MPPT		
Overheat Protection	Yes		
Output Short Circuit Protection	Yes		
Protection	IP65/IK07		
Safety Class	Class I		
Fixture Standards	IEC 60598-2-3		
Battery Standards	IEC 62133 – 2		
Solar Panel Standards	IEC 61215, IEC 61730 ed. 1		
Housing Material	Die-cast Aluminum with corrosion resistant powder coated paint		
Working Temperature	-10~+50°C		
Rated Lifetime	50,000 hrs		

Dimension

	Fixture Wattage	Side Entry Dimension	N.W.
	10W	Φ575x151mm	6.6 Kg
	20W	Φ575x151mm	7.2 Kg
	30W	Φ575x151mm	7.8 Kg

Photometric





Order Logic

ePG-R 10W 7 40 A1 B S -

PROD. ID	Wattage	Ra	CCT	Light Distribution	Color	Input Version	Optional
ePG-R= ePower-Garden round series Solar Lantern	10W	7=Ra70	30=3000K	A1	B=Black	S=Solar	PR=PIR Sensor
	20W		35= 3500K		S=Silver	A=AC220V input	MS=Microwav Sensor
	30W		40=4000K			H=Solar+AC220V	Blank= Without Sensor
			57=5700K				
			65=6500K				

Order Description

Description	Solar Panel	Ra	CCT	Fixture Wattage	Lumens (lm)	LFEP04 Battery	Distribution	QTY/CTN
ePG-R10W740T5BS	30W	70	4000K	10W	1,300	76.8Wh	A1	1 pc
ePG-R20W740T5BS	30W	70	4000K	20W	2,600	153.6Wh	A1	1 pc
ePG-R30W740T5BS	30W	70	4000K	30W	3,900	230.4Wh	A1	1 pc
ePG-R10W757T5BS	30W	70	5700K	10W	1,300	76.8Wh	A1	1 pc
ePG-R20W757T5BS	30W	70	5700K	20W	2,600	153.6Wh	A1	1 pc
ePG-R30W757T5BS	30W	70	5700K	30W	3,900	230.4Wh	A1	1 pc

* Customize specification is available upon request

** Above only partially of product info. Please consult us if you need full product order logic.



ePG-B



EVOLVE Solar LED Garden Lantern



The Evolve Solar LED Garden Lantern offers streamlined design that blends in smoothly with the environment to create a beautiful urban landscape

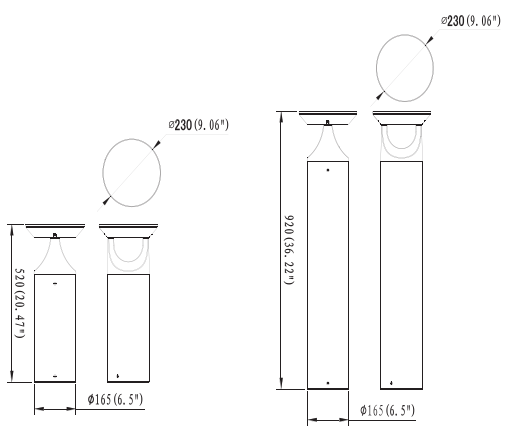




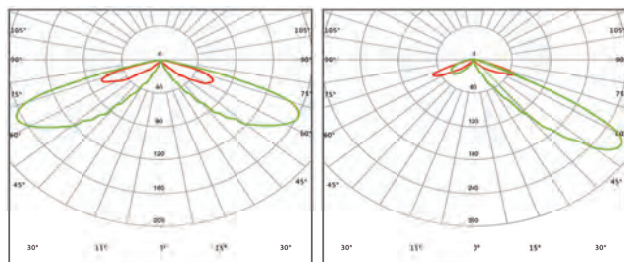
Typical Specifications

System Power	3W
Lumens	340lm
Autonomy	2 Days
System Efficacy	110 LPW
CCT	3000K - 7500K
CRI	Ra≥70
SDCM	≤5
Beam Angle	Type IV /Type V
Charging	MPPT
Overheat Protection	Yes
Output Short Circuit Protection	Yes
Protection	IP66/IK07
Safety Class	Class I
Fixture Standards	IEC 60598-2-3
Battery Standards	IEC 62133 – 2
Solar Panel Standards	IEC 61215, IEC 61730 ed. 1
Housing Material	Die-cast Aluminum with corrosion resistant powder coated paint
Working Temperature	-10~+50°C
Rated Lifetime	50,000 hrs

Dimension

	Hight	Side Entry Dimension	N.W.
	0.5m	Φ230mm×520mm*500mm	5.1 Kg
	0.9m	Φ230mm×520mm*900mm	6.6 Kg

Photometric



Order Logic

PROD. ID	Wattage	Ra	CCT	Light Distribution	Color	Color	Input Version	Optional
ePG-B= ePower-Garden Bollard series Solar Lantern	3W	7=Ra70	30=3000K 35= 3500K 40=4000K 57=5700K 65=6500K	T4=Type IV T5=Type V	H=0.9m S=0.5m	B=Black S=Silver	S=Solar A=AC220V input H=Solar+AC220V	PR=PIR Sensor MS=Microwav Sensor Blank= Without Sensor

Order Description

Description	Solar Panel	Ra	CCT	Fixture Wattage	Lumens (lm)	LFEP04 Battery	Distribution	QTY/CTN
ePG-B3W740T5HBS	5W	70	4000K	3W	340	38.4Wh	Type V	1 pc
ePG-B3W740T5SBS	5W	70	4000K	3W	340	38.4Wh	Type V	1 pc
ePG-B3W757T5HBS	5W	70	5700K	3W	340	38.4Wh	Type V	1 pc
ePG-B3W757T5SBS	5W	70	5700K	3W	340	38.4Wh	Type V	1 pc

* Customize specification is available upon request

** Above only partially of product info. Please consult us if you need full product order logic.



HarLite



EVOLVE Tunnel

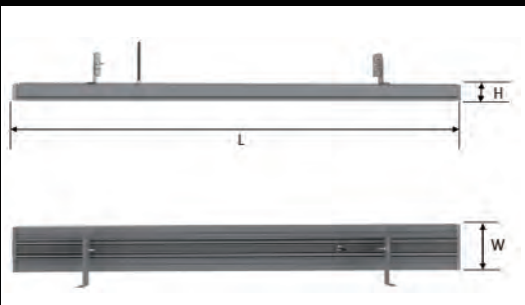


Current 

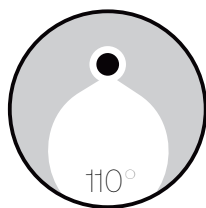
Typical Specifications

System Power	20W	50W	75W	160W
Lumens	2400 lm Max.	6000 lm Max.	9000 lm Max.	19200 lm Max.
System Efficacy	120 LPW Max.			
CCT	2700/3000/4000/5000/6500K			
CRI	Ra≥70			
SDCM	≤5			
Beam Angle	110°			
Input Voltage	220-240V			
Power Factor	≥0.9			
THD	≤20%			
Surge Protection	L-N 2KV, L/N-G 4KV			
Secondary SPD	10KV/20KV Optional			
Dimming	1-10V			
Protection	IP65/IK07			
Safety Class	Class II			
Housing Material	Aluminum			
Working Temperature	-30~+50°C			
Rated Lifetime	50,000 hrs			
Mounting	Surface/Wall			

Dimension

	Size	L	W	H	N.W.
	20W	1200mm	120mm	46mm	2.7 Kg
	50W	1200mm	120mm	46mm	2.7 Kg
	75W	1200mm	120mm	46mm	3.4 Kg
	160W	1200mm	120mm	46mm	3.4 Kg

Photometric



Order Logic

THE	20W	V	8	40	--	--
PROD. ID	Power	Voltage	CRI	CCT	Dimming	Driver Qty.
THE: Harlite Tunnel	20W	V: 220-240V	7: Ra≥70	27: 2700K	Default: No dimming	Default: 1 lamp/driver
	50W	U: 100-240V	8: Ra≥80	30: 3000K	AD: 1-10V Dimming	V2: 2 lamps/driver
	75W			40: 4000K		V3: 3 lamps/driver
	160W			50: 5000k		V5: 5 lamps/driver
				65: 6500k		

Order Description

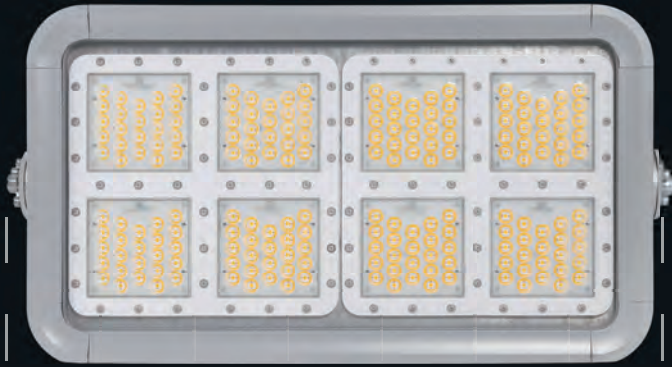
Description	Power	Lumens	Efficacy	CCT	Dimming	Lamp/Driver	QTY/CTN
THE20WV740	20W	2400 lm	120 LPW	4000K	N	1	1 pc
THE50WV740	50W	6000 lm	120 LPW	4000K	N	1	1 pc
THE75WV740	75W	9000 lm	120 LPW	4000K	N	1	1 pc
THE160WV740	160W	19200 lm	120 LPW	4000K	N	1	1 pc
THE20WV765	20W	2400 lm	120 LPW	6500K	N	1	1 pc
THE50WV765	50W	6000 lm	120 LPW	6500K	N	1	1 pc
THE75WV765	75W	9000 lm	120 LPW	6500K	N	1	1 pc
THE160WV765	160W	19200 lm	120 LPW	6500K	N	1	1 pc
THE20WV740AD	20W	2400 lm	120 LPW	4000K	1-10V	1	1 pc
THE50WV740AD	50W	6000 lm	120 LPW	4000K	1-10V	1	1 pc
THE75WV740AD	75W	9000 lm	120 LPW	4000K	1-10V	1	1 pc
THE160WV740AD	160W	19200 lm	120 LPW	4000K	1-10V	1	1 pc
THE20WV765AD	20W	2400 lm	120 LPW	6500K	1-10V	1	1 pc
THE50WV765AD	50W	6000 lm	120 LPW	6500K	1-10V	1	1 pc
THE75WV765AD	75W	9000 lm	120 LPW	6500K	1-10V	1	1 pc
THE160WV765AD	160W	19200 lm	120 LPW	6500K	1-10V	1	1 pc
THE20WV740V5	20W	2400 lm	120 LPW	4000K	N	5	1 pc
THE50WV740V5	50W	6000 lm	120 LPW	4000K	N	5	1 pc
THE75WV740V3	75W	9000 lm	120 LPW	4000K	N	3	1 pc
THE160WV740V2	160W	19200 lm	120 LPW	4000K	N	2	1 pc
THE20WV765V5	20W	2400 lm	120 LPW	6500K	N	5	1 pc
THE50WV765V5	50W	6000 lm	120 LPW	6500K	N	5	1 pc
THE75WV765V3	75W	9000 lm	120 LPW	6500K	N	3	1 pc
THE160WV765V2	160W	19200 lm	120 LPW	6500K	N	2	1 pc

The above is only including a part of product info. Please consult us if any further product info is needed.

Scalable G2



EVOLVE Flood Light





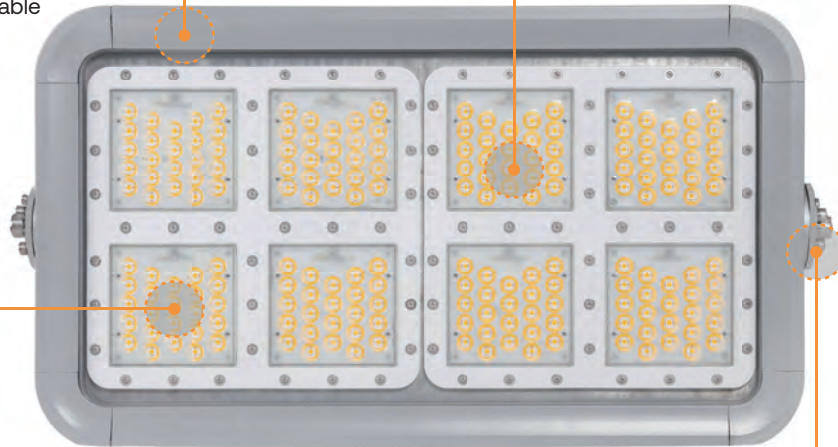
Product Features

Durable Housing

- Die-cast aluminum housing with IP66 & IK09.
- With anti-corrosion coating and stainless-steel fasteners, Suitable for marine environment

Excellent Light output

- Up to 140 LPW, can greatly save electric cost
- 15°/25°/60° light distribution is optional, suitable for all kinds of applications in port areas.

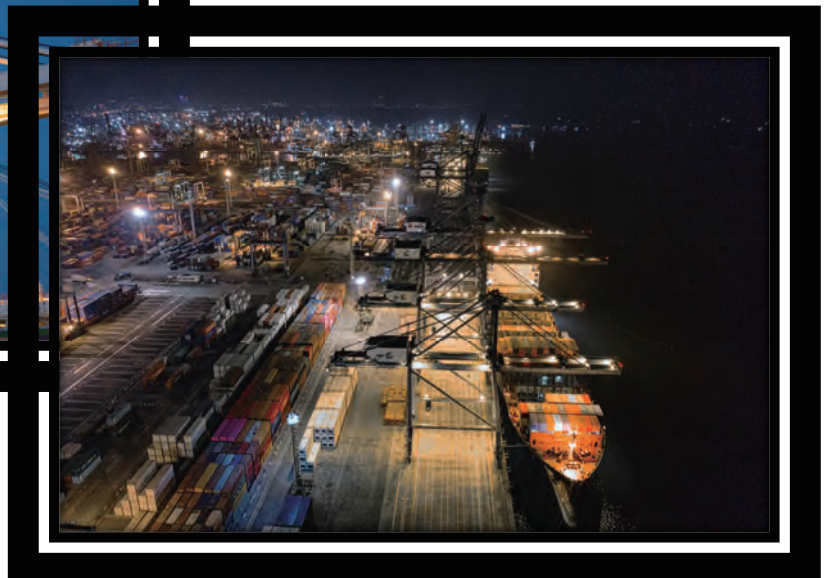


Tempered Glass Cover

- IP66 light engine with secondary tempered glass lens for easy cleaning

Durable Bracket


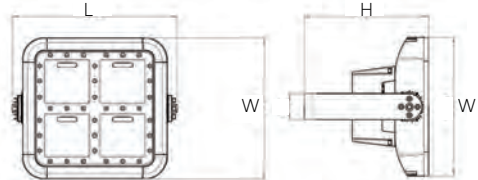
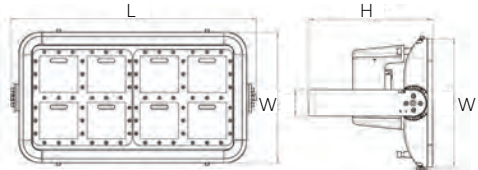
- 100,000 cycles 3G 3D vibration test per ANSI C136.31-2018 (Anti-vibration variant only)



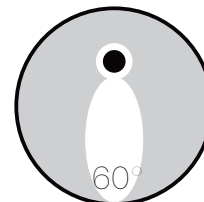
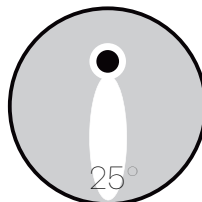
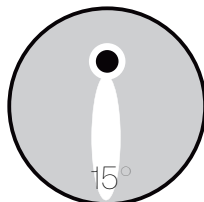
Typical Specifications

System Power	120W	240W	360W
Lumens	16800 lm Max.	33600 lm Max.	50400 lm Max.
System Efficacy	140 LPW Max.		
CCT	2700/3000/4000/5000/5700K		
CRI	Ra≥80		
SDCM	≤5		
Beam Angle	15°/25°/60°		
Input Voltage	100-240V		
Power Factor	≥0.95		
THD	≤15%		
Surge Protection	L-N 6KV,L/N-G 10KV		
Secondary SPD	20KV Optional		
Protection	IP66/IK09		
Safety Class	Class I		
Anti-Corrosion	1,000 hrs Salt Spray Test		
Anti-Vibration	100,000 Times 3G Vibration Test		
Housing Material	Die-casting Aluminum		
Working Temperature	-40~+50°C		
Rated Lifetime	50,000 hrs		
Mounting	360° adjustable bracket		

Dimension

	Power	L	W	H	N.W.
	120W	378mm	200mm	290mm	7.0Kg
	240W	378mm	320mm	290mm	16.0Kg
	360W	658mm	330mm	357mm	22.8Kg

Photometric



Order Logic

ELSF	120W	U	15D	27	ST	--	SG
PROD. ID	Power	Voltage	Beam Angle	CCT	Bracket	Version	Color
ELSF: Scalable G2 Flood Light	120W	U: 100-240V	15D: 15°	27: 2700K	ST: Stainless Steel	Default: Standard	SG: RAL9007
	240W		25D: 25°	30: 3000K	T: Carbon Steel	ECO: Economic	
	360W		60D: 60°	40: 4000K			
				50: 5000K			
				57: 5700K			

Order Description

Description	Power	Lumens	Efficacy	CCT	Beam Angle	Bracket	QTY/CTN
ELSF120WU15D27KSTSG	120W	13200 lm	110 LPW	2700K	15°	Stainless Steel	1 pc
ELSF240WU15D27KSTSG	240W	26400 lm	110 LPW	2700K	15°	Stainless Steel	1 pc
ELSF360WU15D27KSTSG	360W	39600 lm	110 LPW	2700K	15°	Stainless Steel	1 pc
ELSF120WU25D27KSTSG	120W	15600 lm	130 LPW	2700K	25°	Stainless Steel	1 pc
ELSF240WU25D27KSTSG	240W	31200 lm	130 LPW	2700K	25°	Stainless Steel	1 pc
ELSF360WU25D27KSTSG	360W	46800 lm	130 LPW	2700K	25°	Stainless Steel	1 pc
ELSF120WU60D27KSTSG	120W	15600 lm	130 LPW	2700K	60°	Stainless Steel	1 pc
ELSF240WU60D27KSTSG	240W	31200 lm	130 LPW	2700K	60°	Stainless Steel	1 pc
ELSF360WU60D27KSTSG	360W	46800 lm	130 LPW	2700K	60°	Stainless Steel	1 pc
ELSF120WU15D57KSTSG	120W	13800 lm	115 LPW	5700K	15°	Stainless Steel	1 pc
ELSF240WU15D57KSTSG	240W	27600 lm	115 LPW	5700K	15°	Stainless Steel	1 pc
ELSF360WU15D57KSTSG	360W	41400 lm	115 LPW	5700K	15°	Stainless Steel	1 pc
ELSF120WU25D57KSTSG	120W	16800 lm	140 LPW	5700K	25°	Stainless Steel	1 pc
ELSF240WU25D57KSTSG	240W	33600 lm	140 LPW	5700K	25°	Stainless Steel	1 pc
ELSF360WU25D57KSTSG	360W	50400 lm	140 LPW	5700K	25°	Stainless Steel	1 pc
ELSF120WU60D57KSTSG	120W	16800 lm	140 LPW	5700K	60°	Stainless Steel	1 pc
ELSF240WU60D57KSTSG	240W	33600 lm	140 LPW	5700K	60°	Stainless Steel	1 pc
ELSF360WU60D57KSTSG	360W	50400 lm	140 LPW	5700K	60°	Stainless Steel	1 pc

The above is only including a part of product info. Please consult us if any further product info is needed.

Area Lighter XL



EVOLVE Flood Light





Typical Specifications

System Power	350W	500W	600W
Lumens	49000 lm	70000 lm	84000 lm
System Efficacy		140 LPW	
CCT		4000/5700K	
CRI		Ra≥70	
SDCM		≤5	
Beam Angle		Asymmetrical/Symmetrical	
Input Voltage		100-277V	
Power Factor		≥0.9	
THD		≤15%	
Dimming		3 in 1 dimming (PWM, 0-10V, Resistor)	
Surge Protection		L-N 6KV,L/N-G 10KV	
Secondary SPD		20KV/20KA	
Protection		IP66/IK08	
Safety Class		Class I	
Anti-Corrosion		168 hrs Salt Spray Test	
Anti-Vibration		100,000 Times 3G Vibration Test	
Housing Material		Die-casting Aluminum	
Working Temperature		-40~+50°C	
Rated Lifetime		100,000 hrs	
Mounting		Bracket	

Dimension

	Power	L	W	H	N.W.
	350W	708 mm	690 mm	94 mm	22.1 Kg
	500W	708 mm	690 mm	94 mm	23.0 Kg
	600W	708 mm	690 mm	94 mm	23.5 Kg

Photometric



Order Logic

PROD. ID	Voltage	Beam Type	CCT	Power	Efficacy	Color	Option	Beam Angle
ALXL: Area Lighter XL Flood	U:120-277V	AS: Asymmetrical	N: 4000K	350W	H: 140 LPW	SG:RAL9007	Leave it blank as default O:No PE PE7:7 Pin NEMA Base+Shorting cap	P10: 10°
		S: Symmetrical	CR: 5700K	500W		LG:RAL7001		P15: 15°
				600W		WH:RAL8019		P24: 24°
						DB:RAL5010		P30: 30°
								P36: 36°
								P60: 60°

Order Description

Description	Power	Lumens	CCT	Beam Angle	Dimming	NEMA	QTY/CTN
ALXLUASN350WHSG0P10	350W	49000 lm	4000K	AS 10°	Y	N	1 pc
ALXLUSN350WHSG0P15	350W	49000 lm	4000K	S 15°	Y	N	1 pc
ALXLUASN350WHSG0P24	350W	49000 lm	4000K	AS 24°	Y	N	1 pc
ALXLUSN350WHSG0P36	350W	49000 lm	4000K	S 36°	Y	N	1 pc
ALXLUASCR350WHSG0P10	350W	49000 lm	5700K	AS 10°	Y	N	1 pc
ALXLUSCR350WHSG0P15	350W	49000 lm	5700K	S 15°	Y	N	1 pc
ALXLUASCR350WHSG0P24	350W	49000 lm	5700K	AS 24°	Y	N	1 pc
ALXLUSCR350WHSG0P36	350W	49000 lm	5700K	S 36°	Y	N	1 pc
ALXLUSN500WHSG0P10	500W	70000 lm	4000K	S 10°	Y	N	1 pc
ALXLUSN500WHSG0P15	500W	70000 lm	4000K	S 15°	Y	N	1 pc
ALXLUSN500WHSG0P24	500W	70000 lm	4000K	S 24°	Y	N	1 pc
ALXLUSN500WHSG0P36	500W	70000 lm	4000K	S 36°	Y	N	1 pc
ALXLUSCR500WHSG0P10	500W	70000 lm	5700K	S 10°	Y	N	1 pc
ALXLUSCR500WHSG0P15	500W	70000 lm	5700K	S 15°	Y	N	1 pc
ALXLUSCR500WHSG0P24	500W	70000 lm	5700K	S 24°	Y	N	1 pc
ALXLUSCR500WHSG0P36	500W	70000 lm	5700K	S 36°	Y	N	1 pc
ALXLUSN600WHSG0P10	600W	84000 lm	4000K	S 10°	Y	N	1 pc
ALXLUSN600WHSG0P15	600W	84000 lm	4000K	S 15°	Y	N	1 pc
ALXLUSN600WHSG0P24	600W	84000 lm	4000K	S 24°	Y	N	1 pc
ALXLUSN600WHSG0P36	600W	84000 lm	4000K	S 36°	Y	N	1 pc
ALXLUSCR600WHSG0P10	600W	84000 lm	5700K	S 10°	Y	N	1 pc
ALXLUSCR600WHSG0P15	600W	84000 lm	5700K	S 15°	Y	N	1 pc
ALXLUSCR600WHSG0P24	600W	84000 lm	5700K	S 24°	Y	N	1 pc
ALXLUSCR600WHSG0P36	600W	84000 lm	5700K	S 36°	Y	N	1 pc

The above is only including a part of product info. Please consult us if any further product info is needed.

Area Lighter



EVOLVE Flood Light

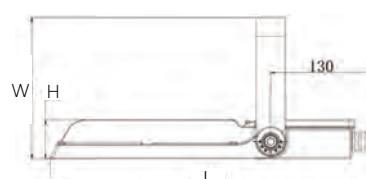


Current 

Typical Specifications

System Power	75W	100W	150W	200W	240W
Lumens	10500 lm Max.	14000 lm Max.	21000 lm Max.	28000 lm Max.	33600 lm Max.
System Efficacy	140 LPW				
CCT	3000/3500/4000/5000/5700K				
CRI	Ra≥70				
SDCM	≤5				
Beam Angle	Asymmetrical&Symmetrical				
Input Voltage	100-277V				
Power Factor	≥0.9				
THD	≤15%				
Surge Protection	L-N 6KV,L/N-G 10KV				
Secondary SPD	20KV/20KA				
Protection	IP66/IK10				
Safety Class	Class I				
Housing Material	Die-casting Aluminum				
Working Temperature	-40~+45°C				
Rated Lifetime	50,000 hrs				
Mounting	Bracket				

Dimension

	Power	L	W	H	N.W.
	75W/100W/150W	302 mm	373 mm	50 mm	5.0 Kg
	200W/240W	413 mm	373 mm	50 mm	6.8 Kg

Photometric



Order Logic

PROD. ID	Voltage	Beam Type	CCT	Power	Efficacy	Color	Options
AL: Area Lighter Flood	U:120-277V	AS: Asymmetrical	W: 3000K	75W	H: 140LPW	SG:RAL9007	Leave it blank as default 0: No PE PE7:7 Pin NEMA Base+Shorting Cap
		S: Symmetrical	WB: 3500K	100W		LG:RAL7001	
			N: 4000K	150W		WH:RAL8019	
			C: 5000K	200W		DB:RAL5010	
			CR: 5700K	240W			

Order Description

Description	Power	Lumens	CCT	Beam Angle	NEMA	QTY/CTN
ALUASW75WHSG0	75W	10500 lm	3000K	Asymmetrical	N	1 pc
ALUASW100WHSG0	100W	14000 lm	3000K	Asymmetrical	N	1 pc
ALUASW150WHSG0	150W	21000 lm	3000K	Asymmetrical	N	1 pc
ALUASW200WHSG0	200W	28000 lm	3000K	Asymmetrical	N	1 pc
ALUASW240WHSG0	240W	33600 lm	3000K	Asymmetrical	N	1 pc
ALUASCR75WHSG0	75W	10500 lm	6500K	Asymmetrical	N	1 pc
ALUASCR100WHSG0	100W	14000 lm	6500K	Asymmetrical	N	1 pc
ALUASCR150WHSG0	150W	21000 lm	6500K	Asymmetrical	N	1 pc
ALUASCR200WHSG0	200W	28000 lm	6500K	Asymmetrical	N	1 pc
ALUASCR240WHSG0	240W	33600 lm	6500K	Asymmetrical	N	1 pc
ALUSW75WHSG0	75W	10500 lm	3000K	Symmetrical	N	1 pc
ALUSW100WHSG0	100W	14000 lm	3000K	Symmetrical	N	1 pc
ALUSW150WHSG0	150W	21000 lm	3000K	Symmetrical	N	1 pc
ALUSW200WHSG0	200W	28000 lm	3000K	Symmetrical	N	1 pc
ALUSW240WHSG0	240W	33600 lm	3000K	Symmetrical	N	1 pc
ALUSCR75WHSG0	75W	10500 lm	6500K	Symmetrical	N	1 pc
ALUSCR100WHSG0	100W	14000 lm	6500K	Symmetrical	N	1 pc
ALUSCR150WHSG0	150W	21000 lm	6500K	Symmetrical	N	1 pc
ALUSCR200WHSG0	200W	28000 lm	6500K	Symmetrical	N	1 pc
ALUSCR240WHSG0	240W	33600 lm	6500K	Symmetrical	N	1 pc
ALUASW75WHSGPE7	75W	10500 lm	3000K	Asymmetrical	Y	1 pc
ALUASW100WHSGPE7	100W	14000 lm	3000K	Asymmetrical	Y	1 pc
ALUASW150WHSGPE7	150W	21000 lm	3000K	Asymmetrical	Y	1 pc
ALUASW200WHSGPE7	200W	28000 lm	3000K	Asymmetrical	Y	1 pc
ALUASW240WHSGPE7	240W	33600 lm	3000K	Asymmetrical	Y	1 pc
ALUASCR75WHSGPE7	75W	10500 lm	6500K	Asymmetrical	Y	1 pc
ALUASCR100WHSGPE7	100W	14000 lm	6500K	Asymmetrical	Y	1 pc
ALUASCR150WHSGPE7	150W	21000 lm	6500K	Asymmetrical	Y	1 pc
ALUASCR200WHSGPE7	200W	28000 lm	6500K	Asymmetrical	Y	1 pc
ALUASCR240WHSGPE7	240W	33600 lm	6500K	Asymmetrical	Y	1 pc
ALUSW75WHSGPE7	75W	10500 lm	3000K	Symmetrical	Y	1 pc
ALUSW100WHSGPE7	100W	14000 lm	3000K	Symmetrical	Y	1 pc
ALUSW150WHSGPE7	150W	21000 lm	3000K	Symmetrical	Y	1 pc
ALUSW200WHSGPE7	200W	28000 lm	3000K	Symmetrical	Y	1 pc
ALUSW240WHSGPE7	240W	33600 lm	3000K	Symmetrical	Y	1 pc
ALUSCR75WHSGPE7	75W	10500 lm	6500K	Symmetrical	Y	1 pc
ALUSCR100WHSGPE7	100W	14000 lm	6500K	Symmetrical	Y	1 pc
ALUSCR150WHSGPE7	150W	21000 lm	6500K	Symmetrical	Y	1 pc
ALUSCR200WHSGPE7	200W	28000 lm	6500K	Symmetrical	Y	1 pc
ALUSCR240WHSGPE7	240W	33600 lm	6500K	Symmetrical	Y	1 pc

The above is only including a part of product info. Please consult us if any further product info is needed.

BEKON

EVOLVE Flood Light





Product Features

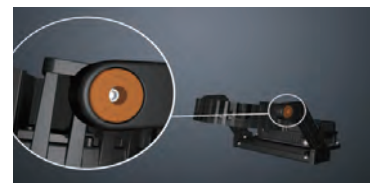
Durable Housing

- Die-cast aluminum housing IP65&IK08
- Corrosion resistance powder coated paint, pass 1000 hrs salt spray test.
- Excellent heat dissipation of hollows design



Easy View Angle Adjustment

- 6D minimum adjustment angle
- Optional laser pointer helps to adjust angle precisely

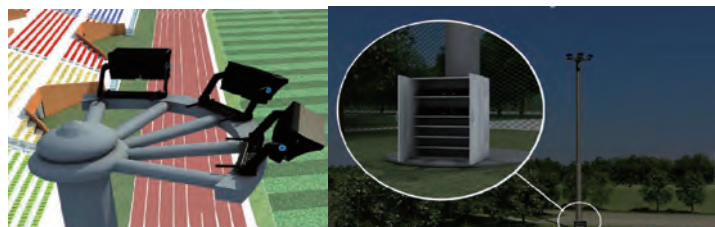


Excellent Light Output

- Up to 150lm/w efficacy
- Multiple beam angles: 11°, 17°, 20°, 30°, 40°, 60°

Detachable Driver Box

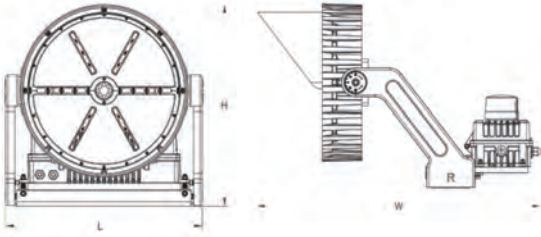
- Independent IP65 design, better heat dissipation and longer design life for driver.
- Easy installation and convenient for maintenance.



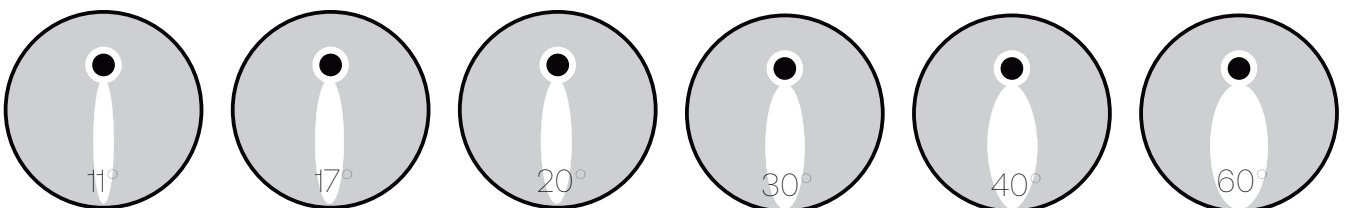
Typical Specifications

System Power	400W	500W	600W	800W	1000W	1200W	1500W	1800W
Lumens	60000 lm Max.	75000 lm Max.	90000 lm Max.	120000 lm Max.	150000 lm Max.	180000 lm Max.	225000lm Max.	270000lm Max.
System Efficacy	150 LPW Max.							
CCT	4000/5000/5700K							
CRI	Ra≥70/80/90							
SDCM	≤6							
Beam Angle	11°/17°/20°/30°/40°/60°							
Input Voltage	120-277V							
Power Factor	≥0.9							
THD	≤20%							
Surge Protection	L-N 6KV,L/N-G 10KV							
Protection	IP65							
Safety Class	Class I							
Anti-Corrosion	1,000 hrs Salt Spray Test							
Anti-Vibration	100,000 Times 3G Vibration Test							
Housing Material	Die-casting Aluminum							
Working Temperature	-40~+45°C							
Rated Lifetime	50,000 hrs							
Mounting	Yoke mounting							

Dimension

	Power	L	W	H	N.W.	EPA
	400W	439 mm	679 mm	438 mm	14.8 Kg	2.3 ft ²
	500W	439 mm	679 mm	438 mm	14.9 Kg	2.3 ft ²
	600W	551 mm	750 mm	522 mm	21.8 Kg	3.0 ft ²
	800W	551 mm	750 mm	522 mm	22.1 Kg	3.0 ft ²
	1000W	587 mm	805 mm	541 mm	25.8 Kg	3.4 ft ²
	1200W	587 mm	805 mm	541 mm	26.1 Kg	3.4 ft ²
	1500W	722 mm	875 mm	710 mm	35.5 KG	4.1 ft ²
	1800W	722 mm	875 mm	710 mm	36 KG	4.1 ft ²

Photometric





Order Logic

PROD. ID	Power	Voltage	CRI	CCT	Beam Angle	Light Efficiency	Bracket	Color	Dimming
BK: BEKON	400W	U:120-277V	9: Ra≥90	40: 4000K	EN	HE: High efficiency	U: Yoke bracket	B: Black	DX: DMX
	500W		8: Ra≥80	50: 5000K	N				DM: 0-10V
SL: Sports Lighting	800W	H: 200-480V	7: Ra≥70	57: 5700K	M2	Blank: Standard version	S: Hanging bracket	G: Gray	DL: DALI
	1000W				M				Blank: On/Off
	1200W				M4				
	1500W				W				
	1800W								

Order Description

Description	Power	Lumens	Efficacy	CCT	CRI	Beam Angle	QTY/CTN
BKSL400WU757M2	400W	56,000 lm	140 LPW	5700K	Ra≥70	20°	1 pcs
BKSL400WU757M	400W	56,000 lm	140 LPW	5700K	Ra≥70	30°	1 pcs
BKSL400WU757M4	400W	56,000 lm	140 LPW	5700K	Ra≥70	40°	1 pcs
BKSL600WU857M2	600W	78,000 lm	130 LPW	5700K	Ra≥80	20°	1 pcs
BKSL600WU857M	600W	78,000 lm	130 LPW	5700K	Ra≥80	30°	1 pcs
BKSL600WU857M4	600W	78,000 lm	130 LPW	5700K	Ra≥80	40°	1 pcs
BKSL1200WU957EN	1200W	132,000 lm	110 LPW	5700K	Ra≥90	11°	1 pcs
BKSL1200WU957N	1200W	132,000 lm	110 LPW	5700K	Ra≥90	17°	1 pcs
BKSL1200WU957M2	1200W	132,000 lm	110 LPW	5700K	Ra≥90	20°	1 pcs
BKSL1200WU957M	1200W	132,000 lm	110 LPW	5700K	Ra≥90	30°	1 pcs
BKSL1200WU957M4	1200W	132,000 lm	110 LPW	5700K	Ra≥90	40°	1 pcs
BKSL1800WU957N	1800W	198,000 lm	110 LPW	5700K	Ra≥90	12°	1 pcs

TESON



EVOLVE Flood Light

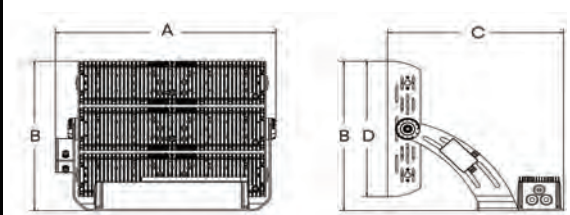




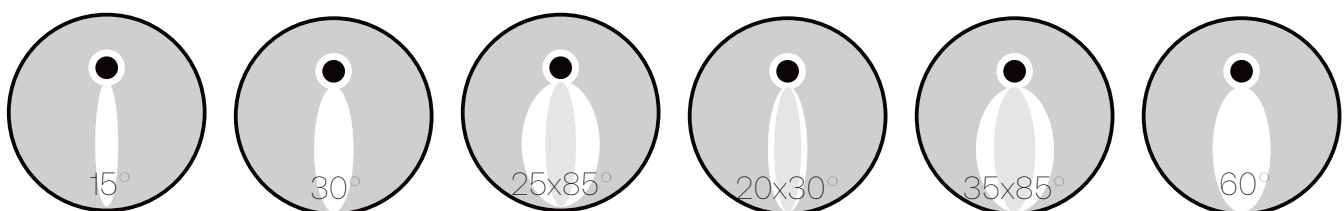
Typical Specifications

System Power	400W	600W	800W	1200W	1500W	1800W
Modules	1	1	2	2	3	3
Lumens	60000 lm Max.	90000 lm Max.	120000 lm Max.	180000 lm Max.	225000 lm Max.	285000 lm Max.
System Efficacy	150 LPW Max.					
CCT	4000/5000/5700K					
CRI	Ra≥70/80/90					
SDCM	≤6					
Beam Angle	N/M/A1/A2/A3/A4					
Input Voltage	120-277V					
Power Factor	≥0.9					
THD	≤20%					
Surge Protection	20kV available					
IP/IK	IP66 & IK08					
Safety Class	Class I					
Anti-Corrosion	1,000 hrs Salt Spray Test					
Anti-Vibration	3G, conform to standard IEC 68-2-6					
Housing Material	Die-casting Aluminum					
Working Temperature	-40~+45°C					
Rated Lifetime	100,000 hrs					
Mounting	Top-fixed/Yoke mount					
Certification	CQC/CE/CB/RoHS					

Dimension

	Modules	L	W	H	N.W.	EPA(ft ²) Top view	EPA(ft ²) Front
	1	706.5mm	235.5mm	239.8mm	12.1 Kg	0.86 ft ²	1.14 ft ²
	2	744.5mm	344mm	366.1mm	20.2 Kg	1.29 ft ²	2.26 ft ²
	3	714.5mm	429.9mm	551.1mm	28.8 Kg	1.72 ft ²	3.12 ft ²

Photometric



Order Logic

TSSL	600W	U	8	57	W	U	L	B	DX
PROD. ID	Power	Voltage	CRI	CCT	Beam Angle	Mounting	Optics	Color	Dimming
TS: TESON	400W	U:120-277V	9: Ra≥90	40: 4000K	N	U: Yoke bracket	L: Lens	B: Black	DX: DMX
SL: Sports Lighting	600W	E: 220-240V	8: Ra≥80	50: 5000K	M	S: Hanging bracket	R: Reflector	G: Gray	DM: 0-10V
	800W		7: Ra≥70	57: 5700K	A1				DL: DALI
	1200W		A2	Blank: On/Off					
	1500W		A3						
	1800W		A4						

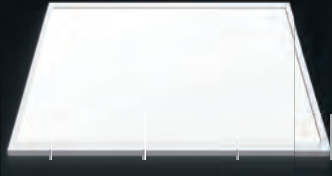
Order Description

Description	Power	Lumens	Efficacy	CCT	CRI	Beam Angle	QTY/CTN
TSSL400WU757N	400W	56,000 lm	140 LPW	5700K	Ra≥70	15°	1 pcs
TSSL400WU757M	400W	56,000 lm	140 LPW	5700K	Ra≥70	30°	1 pcs
TSSL400WU757A2	400W	56,000 lm	140 LPW	5700K	Ra≥70	20°*30°	1 pcs
TSSL600WU857N	600W	78,000 lm	130 LPW	5700K	Ra≥80	15°	1 pcs
TSSL600WU857M	600W	78,000 lm	130 LPW	5700K	Ra≥80	30°	1 pcs
TSSL600WU857MA2	600W	78,000 lm	130 LPW	5700K	Ra≥80	20°*30°	1 pcs
TSSL1200WU957N	1200W	132,000 lm	110 LPW	5700K	Ra≥90	15°	1 pcs
TSSL1200WU957M	1200W	132,000 lm	110 LPW	5700K	Ra≥90	30°	1 pcs
TSSL1200WU957A2	1200W	132,000 lm	110 LPW	5700K	Ra≥90	20°*30°	1 pcs
TSSL1800WU957N	1800W	198,000 lm	110 LPW	5700K	Ra≥90	15°	1 pcs
TSSL1800WU957M	1800W	198,000 lm	110 LPW	5700K	Ra≥90	30°	1 pcs
TSSL1800WU957A2	1800W	198,000 lm	110 LPW	5700K	Ra≥90	20°*30°	1 pcs

The above is only including a part of product info. Please consult us if any further product info is needed.

TriGain[®]

technology



Current 



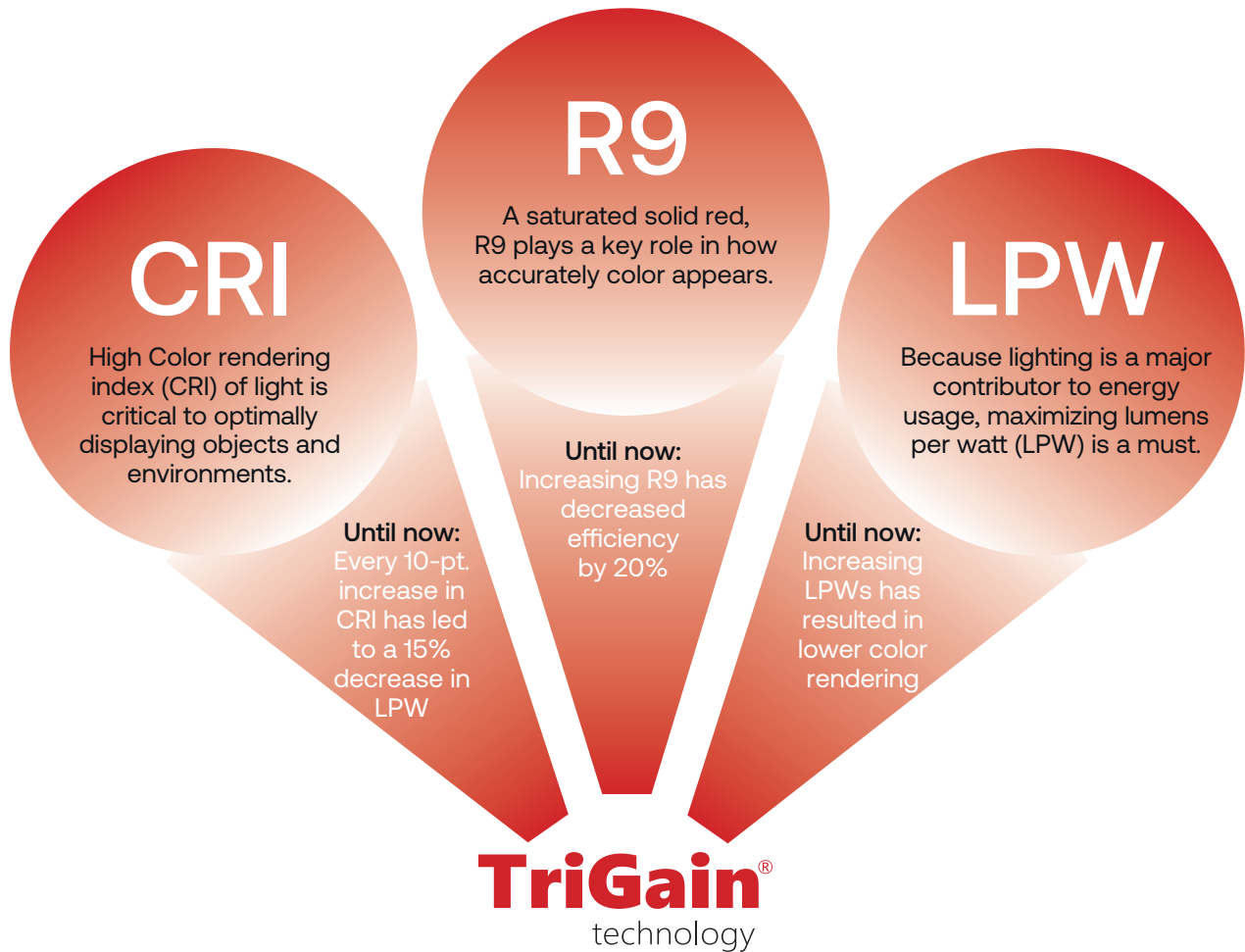
What is TriGain[®] Technology

Red phosphor drives the inverse relationship between color quality and the efficiency of a spectrum.

Standard red phosphors are very broad, and a significant amount of their emission is wasted in the inefficient deep-red and near-infrared regions. For enhanced color quality, the red phosphor is typically shifted further out into these inefficient wavelengths.

Current has spent a considerable time and effort developing a narrow red phosphor named TriGain[®], a potassium fluorosilicate (PFS) phosphor providing an efficient solution to premium color quality.

TriGain[®] Efficiency technology



90 CRI:

The Color Rendering Index (CRI) is a scale from 0 to 100 percent indicating how accurate a "given" light source is at rendering color when compared to a "reference" light source.

The higher the CRI, the better the color rendering ability. Light sources with a CRI of 90 or higher are excellent at color rendering and should be used for tasks requiring the most accurate color discrimination.

R9:

R9 is the score that represents how accurately a light source will reproduce strong red colors.



The **TriGain**[®] Difference

Best Colors



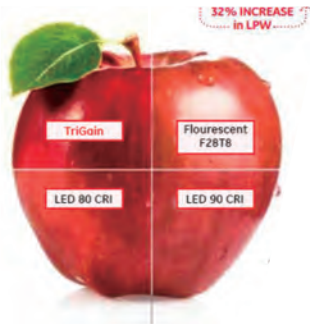
90 CRI
&
R9>90



Better Efficiency

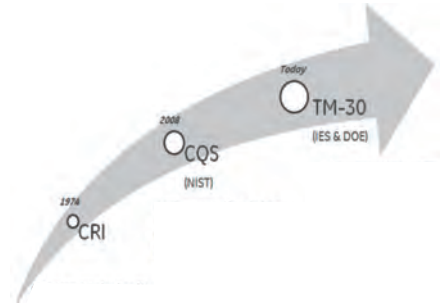
LED A	TriGain [®] technology	
80CRI	90CRI	+10pts
160LPW	168LPW	+5pts
R9<30	R9>90	+60pts

LED B	TriGain [®] technology	
90CRI	90CRI	+32pts
127LPW	168LPW	+45pts
R9<45	R9>90	+45pts



UnSurpassed

TriGain[®] Technology not only surpasses CRI and CQS standards, but according to the Department of Energy (DOE) and our own TM30 standards whitepaper, TriGain[®] also surpasses TM30 standards!



Explaining Metrics

Dimension

CRI:

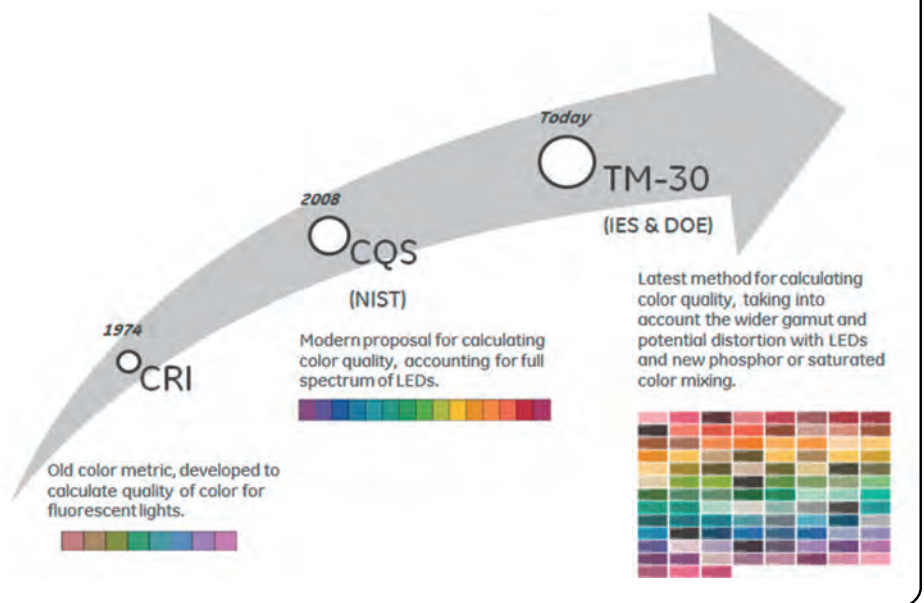
Color Rendering Index, commonly referred to as CRI, is a method used to measure how color looks to the human eyes, depending on the light source as compared to the sun. CRI provides a scale of values up to 100, with 100 being the best color rendering light quality and a value below zero representing very poor color rendering.

CQS:

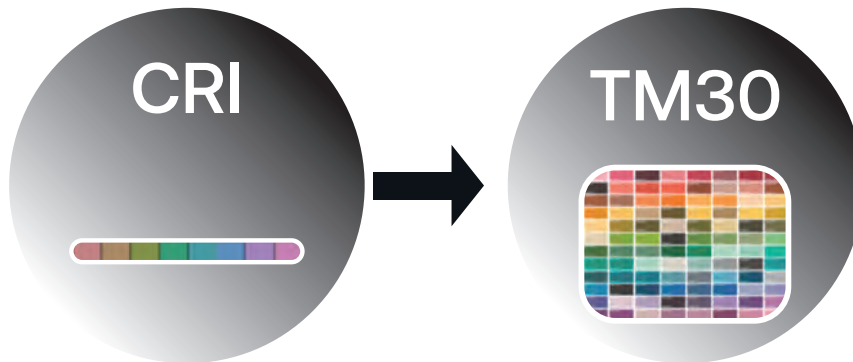
The Color Quality Scale or CQS. Was created from the need to find an alternative to the unsaturated CRI colors. Developed by NIST, there are 15 highly saturated colors that are used to compare chromatic discrimination, human preference, and color rendering.

TM30:

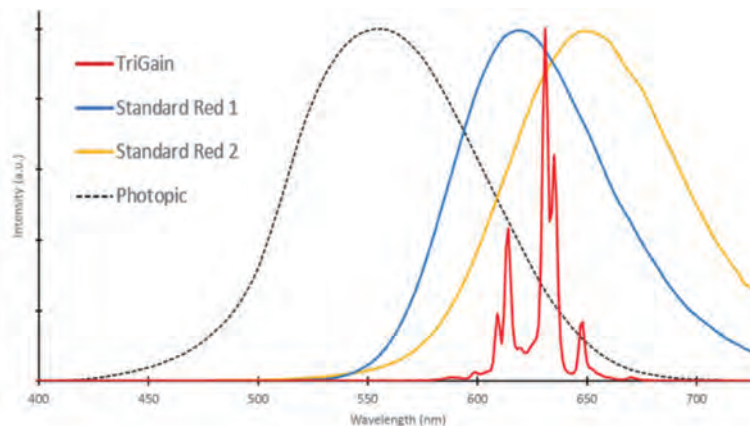
A new quality metric that was recently adopted by the IES to supplement and eventually replace the old CRI (CIE) Metric for measuring fidelity of a light source.



TriGain[®] & IES TM30 Standards



- Color metrics are evolving to match the capability of LED technology,
- CRI and R9 giving way to more detailed methods in TM-30.
- Color preference studies are trending towards a high fidelity, enhanced saturation light source for optimal color performance.



- The unique nature of Current's **TriGain**[®] phosphor, with its patented narrow emission, presents a technological leap beyond the rest of the market for both color and efficiency.
- Only a few light sources can meet the recommended color performance requirements for the TM-30 system, but **TriGain**[®] stands alone as the only one to do so with high efficiency.
- **TriGain**[®] products provide best-in-class color and efficiency, now and into the future.



What is TM30?

TM30 takes a wider view into gamut (Color Saturation) and potential distortion with LEDs and new phosphor or saturated color mixing.



Specifiers

Used to choose the right light source for an application

- Evaluate Sources
- Philosophical Changes
- Help Develop Criteria



Lighting Manufacturers

Used to engineer new spectra for the light sources they are trying to sell.

- Provide Data
- Engineer New Sources
- Marketing Advantages



Researchers

Used to characterize lighting in different ways and vary the color rendering properties of light sources

- Help Develop Criteria
- Continue Improving Science



TM30 vs CRI

CRI

Calculation Engine(<1974)

- Fidelity Metric Only
- 8 color samples

TM30

Calculation Engine(2015)

- Fidelity ,Gamut (Color Saturation),Graphical, Detailed/Hues
- 99 color samples

Current State of LED Market



Lighting designers



Architects



Retailers

Understand the impact of excellent color quality

Increased Sales



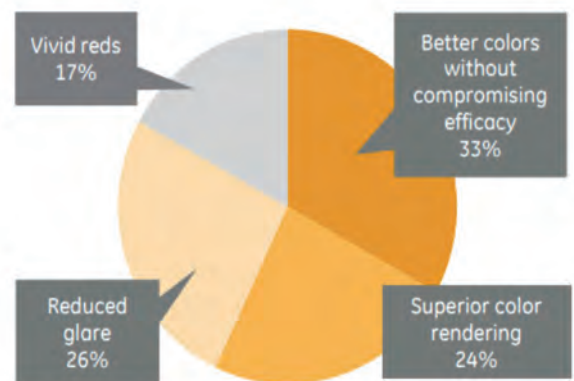
9 in 10 retailers believe better rendering of item color would increase sales.*

Increased productivity



6 in 10 office decision makers think 'true color' rendering can increase productivity in an office.*

What decision-makers like about **TriGain**[®] technology



9 in 10 lighting decision makers find TriGain[®] technology very appealing*

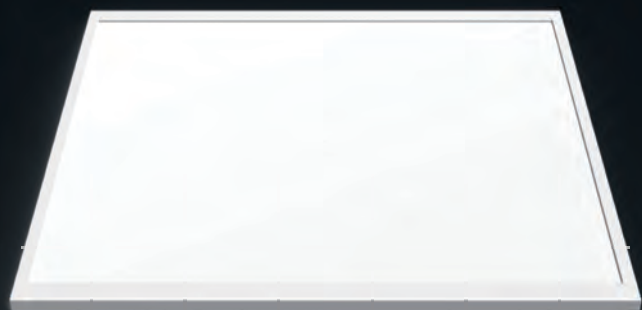
Key Points:

- TriGain[®] Technologies high CRI/R9, high LPW and comparable price is very appealing to qualified lighting professionals
- Customers recognize the benefits of high quality light for their office and retail spaces
- Market is starting to shift from CRI Metric to TM30 standards and TriGain[®] is already ahead of the curve
- Current LED fixtures with TriGain[®] are the only place to get high CRI, high LPW, TM30 value and a comparable price

I-Light



Lumination LED Panel



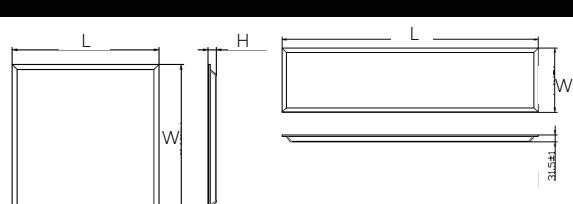
TriGain
technology



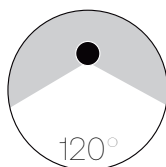
Typical Specifications

System Power	20W	22W	25W	31W
Lumens	2720-2880 lm	2992-3168 lm	3400-3600 lm	3400-3600 lm
System Efficacy	136-144LPW	136-144LPW	136-144LPW	110-116LPW
CCT	3000/4000/6500K			
CRI	Ra≥80/Ra≥90			
Flicker Free	Yes			
SDCM	≤4			
Beam Angle	120°			
Input Voltage	220-240V			
Power Factor	≥0.9			
THD	<20%			
Surge Protection	L-N:1KV; L/N-G:2KV			
Ripple Current Ratio	≤5%			
Control	Dali optional			
Protection	IP20			
Safety Class	Class II			
Back Lit/Edge Lit	Backlit			
Glare Control(UGR)	≤22			
Ceiling type	Mineral wool board /Integrated ceiling			
Housing Material	Aluminum			
Working Temperature	-20~+40°C			
Rated Lifetime	35,000/50,000 hrs			
Mounting	Recessed/Suspended			

Dimension

	Model	L	W	H
	ILBL2X2-MM	595mm	595mm	31mm
	ILBL1X4-MM	1195mm	295mm	31mm
	ILBL2X2-IM	603mm	603mm	31mm
	ILBL1X4-IM	1212mm	301mm	31mm

Photometric



Order Logic

PROD. ID	Size	CCT	Power	LPW & Lifetime	Dimension
ILBL I-Light Panel	2x2	WW: 3000K	31W	ECO: 110-116 LPW /35,000 hrs	MM: 595x595; 1195x295 IM: 603x603; 1212x301
	1x4	NW: 4000K	25W	HE: 136-144 LPW /35,000 hrs	
		CW: 6500K	22W	ST: 110-116 LPW /50,000 hrs	
			20W	HP: 136-144 LPW /50,000 hrs	
				TR: Ra≥90; 136-144 LPW /50,000 hrs	



Order Description

Description	Power	Size	Lumens	Efficacy	CCT	CRI	Lifetime	QTY/CTN
ILBL2X2WW31WECO-MM	31W	2x2 ft	3400 lm	110 LPW	3000K	Ra≥80	35,000 hrs	1 pc
ILBL2X2NW31WECO-MM	31W	2x2 ft	3600 lm	116 LPW	4000K	Ra≥80	35,000 hrs	1 pc
ILBL2X2CW31WECO-MM	31W	2x2 ft	3600 lm	116 LPW	6500K	Ra≥80	35,000 hrs	1 pc
ILBL1X4WW31WECO-MM	31W	1x4 ft	3400 lm	110 LPW	3000K	Ra≥80	35,000 hrs	1 pc
ILBL1X4NW31WECO-MM	31W	1x4 ft	3600 lm	116 LPW	4000K	Ra≥80	35,000 hrs	1 pc
ILBL1X4CW31WECO-MM	31W	1x4 ft	3600 lm	116 LPW	6500K	Ra≥80	35,000 hrs	1 pc
ILBL2X2WW25WHE-MM	25W	2x2 ft	3400 lm	136 LPW	3000K	Ra≥80	35,000 hrs	1 pc
ILBL2X2NW25WHE-MM	25W	2x2 ft	3600 lm	144 LPW	4000K	Ra≥80	35,000 hrs	1 pc
ILBL2X2CW25WHE-MM	25W	2x2 ft	3600 lm	144 LPW	6500K	Ra≥80	35,000 hrs	1 pc
ILBL1X4WW25WHE-MM	25W	1x4 ft	3400 lm	136 LPW	3000K	Ra≥80	35,000 hrs	1 pc
ILBL1X4NW25WHE-MM	25W	1x4 ft	3600 lm	144 LPW	4000K	Ra≥80	35,000 hrs	1 pc
ILBL1X4CW25WHE-MM	25W	1x4 ft	3600 lm	144 LPW	6500K	Ra≥80	35,000 hrs	1 pc
ILBL2X2WW31WST-MM	31W	2x2 ft	3400 lm	110 LPW	3000K	Ra≥80	50,000 hrs	1 pc
ILBL2X2NW31WST-MM	31W	2x2 ft	3600 lm	116 LPW	4000K	Ra≥80	50,000 hrs	1 pc
ILBL2X2CW31WST-MM	31W	2x2 ft	3600 lm	116 LPW	6500K	Ra≥80	50,000 hrs	1 pc
ILBL1X4WW31WST-MM	31W	1x4 ft	3400 lm	110 LPW	3000K	Ra≥80	50,000 hrs	1 pc
ILBL1X4NW31WST-MM	31W	1x4 ft	3600 lm	116 LPW	4000K	Ra≥80	50,000 hrs	1 pc
ILBL1X4CW31WST-MM	31W	1x4 ft	3600 lm	116 LPW	6500K	Ra≥80	50,000 hrs	1 pc
ILBL2X2WW25WHP-MM	25W	2x2 ft	3400 lm	136 LPW	3000K	Ra≥80	50,000 hrs	1 pc
ILBL2X2NW25WHP-MM	25W	2x2 ft	3600 lm	144 LPW	4000K	Ra≥80	50,000 hrs	1 pc
ILBL2X2CW25WHP-MM	25W	2x2 ft	3600 lm	144 LPW	6500K	Ra≥80	50,000 hrs	1 pc
ILBL1X4WW25WHP-MM	25W	1x4 ft	3400 lm	136 LPW	3000K	Ra≥80	50,000 hrs	1 pc
ILBL1X4NW25WHP-MM	25W	1x4 ft	3600 lm	144 LPW	4000K	Ra≥80	50,000 hrs	1 pc
ILBL1X4CW25WHP-MM	25W	1x4 ft	3600 lm	144 LPW	6500K	Ra≥80	50,000 hrs	1 pc
ILBL2X2WW31WECO-IM	31W	2x2 ft	3400 lm	110 LPW	3000K	Ra≥80	35,000 hrs	1 pc
ILBL2X2NW31WECO-IM	31W	2x2 ft	3600 lm	116 LPW	4000K	Ra≥80	35,000 hrs	1 pc
ILBL2X2CW31WECO-IM	31W	2x2 ft	3600 lm	116 LPW	6500K	Ra≥80	35,000 hrs	1 pc
ILBL1X4WW31WECO-IM	31W	1x4 ft	3400 lm	110 LPW	3000K	Ra≥80	35,000 hrs	1 pc
ILBL1X4NW31WECO-IM	31W	1x4 ft	3600 lm	116 LPW	4000K	Ra≥80	35,000 hrs	1 pc
ILBL1X4CW31WECO-IM	31W	1x4 ft	3600 lm	116 LPW	6500K	Ra≥80	35,000 hrs	1 pc
ILBL2X2WW25WHE-IM	25W	2x2 ft	3400 lm	136 LPW	3000K	Ra≥80	35,000 hrs	1 pc
ILBL2X2NW25WHE-IM	25W	2x2 ft	3600 lm	144 LPW	4000K	Ra≥80	35,000 hrs	1 pc
ILBL2X2CW25WHE-IM	25W	2x2 ft	3600 lm	144 LPW	6500K	Ra≥80	35,000 hrs	1 pc
ILBL1X4WW25WHE-IM	25W	1x4 ft	3400 lm	136 LPW	3000K	Ra≥80	35,000 hrs	1 pc
ILBL1X4NW25WHE-IM	25W	1x4 ft	3600 lm	144 LPW	4000K	Ra≥80	35,000 hrs	1 pc
ILBL1X4CW25WHE-IM	25W	1x4 ft	3600 lm	144 LPW	6500K	Ra≥80	35,000 hrs	1 pc
ILBL2X2WW31WST-IM	31W	2x2 ft	3400 lm	110 LPW	3000K	Ra≥80	50,000 hrs	1 pc
ILBL2X2NW31WST-IM	31W	2x2 ft	3600 lm	116 LPW	4000K	Ra≥80	50,000 hrs	1 pc
ILBL2X2CW31WST-IM	31W	2x2 ft	3600 lm	116 LPW	6500K	Ra≥80	50,000 hrs	1 pc
ILBL1X4WW31WST-IM	31W	1x4 ft	3400 lm	110 LPW	3000K	Ra≥80	50,000 hrs	1 pc
ILBL1X4NW31WST-IM	31W	1x4 ft	3600 lm	116 LPW	4000K	Ra≥80	50,000 hrs	1 pc
ILBL1X4CW31WST-IM	31W	1x4 ft	3600 lm	116 LPW	6500K	Ra≥80	50,000 hrs	1 pc
ILBL2X2WW25WHP-IM	25W	2x2 ft	3400 lm	136 LPW	3000K	Ra≥80	50,000 hrs	1 pc
ILBL2X2NW25WHP-IM	25W	2x2 ft	3600 lm	144 LPW	4000K	Ra≥80	50,000 hrs	1 pc
ILBL2X2CW25WHP-IM	25W	2x2 ft	3600 lm	144 LPW	6500K	Ra≥80	50,000 hrs	1 pc
ILBL1X4WW25WHP-IM	25W	1x4 ft	3400 lm	136 LPW	3000K	Ra≥80	50,000 hrs	1 pc
ILBL1X4NW25WHP-IM	25W	1x4 ft	3600 lm	144 LPW	4000K	Ra≥80	50,000 hrs	1 pc
ILBL1X4CW25WHP-IM	25W	1x4 ft	3600 lm	144 LPW	6500K	Ra≥80	50,000 hrs	1 pc
ILBL2X2WW25WTR-MM	25W	2x2 ft	3400 lm	136 LPW	3000K	Ra≥90	50,000 hrs	1 pc
ILBL2X2NW25WTR-MM	25W	2x2 ft	3600 lm	144 LPW	4000K	Ra≥90	50,000 hrs	1 pc
ILBL2X2CW25WTR-MM	25W	2x2 ft	3600 lm	144 LPW	6500K	Ra≥90	50,000 hrs	1 pc
ILBL1X4WW25WTR-MM	25W	1x4 ft	3400 lm	136 LPW	3000K	Ra≥90	50,000 hrs	1 pc
ILBL1X4NW25WTR-MM	25W	1x4 ft	3600 lm	144 LPW	4000K	Ra≥90	50,000 hrs	1 pc
ILBL1X4CW25WTR-MM	25W	1x4 ft	3600 lm	144 LPW	6500K	Ra≥90	50,000 hrs	1 pc



The above is only including a part of product info. Please consult us if any further product info is needed.

Hemisphere



Lumination Downlight



TriGain
technology



Current



Lumination Downlight



4 inch



6 inch



8 inch



Convenient installation

Super feather light, hybrid poly-metal material



High class reflection coating

High efficiency built-in driver
Unique heatsink design



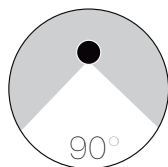
Typical Specifications

Size	4 inch	6 inch	8 inch
System Power	7W	9W/11W/13W/16W	16W/22W/27W
Lumens		665~2700 lm	
System Efficacy		100LPW	
CCT		3000K/4000K/6500K	
CRI		Ra≥80/Ra≥90	
Flicker Free		Yes	
Beam Angle		90°	
Input Voltage		100-277V	
Power Factor		≥0.9	
Protection		IP20	
Safety Class		Class II	
Glare Control(UGR)		≤22	
Housing Material		PC	
Working Temperature		-25~+40°C	
Rated Lifetime		50,000 hrs	
Mounting		Recessed	

Dimension

	Power	Size	Cut-Out	D	H
	7W	4 inch	Φ105mm	114mm	70mm
	9/11/13/16W	6 inch	Φ155mm	173mm	90mm
	16/22/27W	8 inch	Φ205mm	220mm	102mm

Photometric



Order Logic

DM	6L1	SP	40	--	GEN4
PROD. ID	Size/Power	Color	CCT	CRI	Generation
DM= Downlight modular	4L1=4" 7W 6L1=6" 9W 6L2=6" 11W 6L3=6" 13W 6L4=6" 16W 8L1=8" 16W 8L2=8" 22W 8L3=8" 27W	SP=Standard white	30: 3000K 40: 4000K 65: 6500K	Default: Ra≥80 TR: Ra≥90	Gen4=Generation 4



Order Description

Description	Power	Size	Lumens	Efficacy	CCT	CRI	QTY/CTN
DM4L1SP30 GEN4	7W	4 inch	665 lm	95 LPW	3000K	Ra≥80	36 pcs
DM4L1SP40 GEN4	7W	4 inch	700 lm	100 LPW	4000K	Ra≥80	36 pcs
DM4L1SP50 GEN4	7W	4 inch	700 lm	100 LPW	5000K	Ra≥80	36 pcs
DM4L1SP65 GEN4	7W	4 inch	700 lm	100 LPW	6500K	Ra≥80	36 pcs
DM6L1SP30 GEN4	9W	6 inch	855 ml	95 LPW	3000K	Ra≥80	12 pcs
DM6L1SP40 GEN4	9W	6 inch	900 ml	100 LPW	4000K	Ra≥80	12 pcs
DM6L1SP50 GEN4	9W	6 inch	900 ml	100 LPW	5000K	Ra≥80	12 pcs
DM6L1SP65 GEN4	9W	6 inch	900 ml	100 LPW	6500K	Ra≥80	12 pcs
DM6L2SP30 GEN4	11W	6 inch	1045 ml	95 LPW	3000K	Ra≥80	12 pcs
DM6L2SP40 GEN4	11W	6 inch	1100 ml	100 LPW	4000K	Ra≥80	12 pcs
DM6L2SP50 GEN4	11W	6 inch	1100 ml	100 LPW	5000K	Ra≥80	12 pcs
DM6L2SP65 GEN4	11W	6 inch	1100 ml	100 LPW	6500K	Ra≥80	12 pcs
DM6L3SP30 GEN4	13W	6 inch	1235 ml	95 LPW	3000K	Ra≥80	12 pcs
DM6L3SP40 GEN4	13W	6 inch	1300 ml	100 LPW	4000K	Ra≥80	12 pcs
DM6L3SP50 GEN4	13W	6 inch	1300 ml	100 LPW	5000K	Ra≥80	12 pcs
DM6L3SP65 GEN4	13W	6 inch	1300 ml	100 LPW	6500K	Ra≥80	12 pcs
DM6L4SP30 GEN4	16W	6 inch	1520 ml	95 LPW	3000K	Ra≥80	12 pcs
DM6L4SP40 GEN4	16W	6 inch	1600 ml	100 LPW	4000K	Ra≥80	12 pcs
DM6L4SP50 GEN4	16W	6 inch	1600 ml	100 LPW	5000K	Ra≥80	12 pcs
DM6L4SP65 GEN4	16W	6 inch	1600 ml	100 LPW	6500K	Ra≥80	12 pcs
DM811WSP40 GEN4	11W	8 inch	1100 ml	100 LPW	4000K	Ra≥80	4 pcs
DM8L1SP30 GEN4	16W	8 inch	1520 ml	95 LPW	3000K	Ra≥80	4 pcs
DM8L1SP40 GEN4	16W	8 inch	1600 ml	100 LPW	4000K	Ra≥80	4 pcs
DM8L1SP50 GEN4	16W	8 inch	1600 ml	100 LPW	5000K	Ra≥80	4 pcs
DM8L1SP65 GEN4	16W	8 inch	1600 ml	100 LPW	6500K	Ra≥80	4 pcs
DM8L2SP30 GEN4	22W	8 inch	2090 ml	95 LPW	3000K	Ra≥80	4 pcs
DM8L2SP40 GEN4	22W	8 inch	2200 ml	100 LPW	4000K	Ra≥80	4 pcs
DM8L2SP50 GEN4	22W	8 inch	2200 ml	100 LPW	5000K	Ra≥80	4 pcs
DM8L2SP65 GEN4	22W	8 inch	2200 ml	100 LPW	6500K	Ra≥80	4 pcs
DM8L3SP30 GEN4	27W	8 inch	2565 ml	95 LPW	3000K	Ra≥80	4 pcs
DM8L3SP40 GEN4	27W	8 inch	2700 ml	100 LPW	4000K	Ra≥80	4 pcs
DM8L3SP50 GEN4	27W	8 inch	2700 ml	100 LPW	5000K	Ra≥80	4 pcs
DM8L3SP65 GEN4	27W	8 inch	2700 ml	100 LPW	6500K	Ra≥80	4 pcs
DM4L1SP30TR GEN4	7W	4 inch	735 ml	105 LPW	3000K	Ra≥90	36 pcs
DM4L1SP40TR GEN4	7W	4 inch	770 ml	110 LPW	4000K	Ra≥90	36 pcs
DM4L1SP50TR GEN4	7W	4 inch	770 ml	110 LPW	5000K	Ra≥90	36 pcs
DM4L1SP65TR GEN4	7W	4 inch	770 ml	110 LPW	6500K	Ra≥90	36 pcs
DM6L1SP30TR GEN4	9W	6 inch	945 ml	105 LPW	3000K	Ra≥90	12 pcs
DM6L1SP40TR GEN4	9W	6 inch	990 ml	110 LPW	4000K	Ra≥90	12 pcs
DM6L1SP50TR GEN4	9W	6 inch	990 ml	110 LPW	5000K	Ra≥90	12 pcs
DM6L1SP65TR GEN4	9W	6 inch	990 ml	110 LPW	6500K	Ra≥90	12 pcs
DM6L2SP30TR GEN4	11W	6 inch	1155 ml	105 LPW	3000K	Ra≥90	12 pcs
DM6L2SP40TR GEN4	11W	6 inch	1210 ml	110 LPW	4000K	Ra≥90	12 pcs
DM6L2SP50TR GEN4	11W	6 inch	1210 ml	110 LPW	5000K	Ra≥90	12 pcs
DM6L2SP65TR GEN4	11W	6 inch	1210 ml	110 LPW	6500K	Ra≥90	12 pcs
DM6L3SP30TR GEN4	13W	6 inch	1365 ml	105 LPW	3000K	Ra≥90	12 pcs
DM6L3SP40TR GEN4	13W	6 inch	1430 ml	110 LPW	4000K	Ra≥90	12 pcs
DM6L3SP50TR GEN4	13W	6 inch	1430 ml	110 LPW	5000K	Ra≥90	12 pcs
DM6L3SP65TR GEN4	13W	6 inch	1430 ml	110 LPW	6500K	Ra≥90	12 pcs
DM6L4SP30TR GEN4	16W	6 inch	1680 ml	105 LPW	3000K	Ra≥90	12 pcs
DM6L4SP40TR GEN4	16W	6 inch	1760 ml	110 LPW	4000K	Ra≥90	12 pcs
DM6L4SP50TR GEN4	16W	6 inch	1760 ml	110 LPW	5000K	Ra≥90	12 pcs
DM6L4SP65TR GEN4	16W	6 inch	1760 ml	110 LPW	6500K	Ra≥90	12 pcs
DM8L1SP30TR GEN4	16W	8 inch	1680 ml	105 LPW	3000K	Ra≥90	4 pcs
DM8L1SP40TR GEN4	16W	8 inch	1760 ml	110 LPW	4000K	Ra≥90	4 pcs
DM8L1SP50TR GEN4	16W	8 inch	1760 ml	110 LPW	5000K	Ra≥90	4 pcs
DM8L1SP65TR GEN4	16W	8 inch	1760 ml	110 LPW	6500K	Ra≥90	4 pcs
DM8L2SP30TR GEN4	22W	8 inch	2310 ml	105 LPW	3000K	Ra≥90	4 pcs
DM8L2SP40TR GEN4	22W	8 inch	2420 ml	110 LPW	4000K	Ra≥90	4 pcs
DM8L2SP50TR GEN4	22W	8 inch	2420 ml	110 LPW	5000K	Ra≥90	4 pcs
DM8L2SP65TR GEN4	22W	8 inch	2420 ml	110 LPW	6500K	Ra≥90	4 pcs
DM8L3SP30TR GEN4	27W	8 inch	2835 ml	105 LPW	3000K	Ra≥90	4 pcs
DM8L3SP40TR GEN4	27W	8 inch	2970 ml	110 LPW	4000K	Ra≥90	4 pcs
DM8L3SP50TR GEN4	27W	8 inch	2970 ml	110 LPW	5000K	Ra≥90	4 pcs
DM8L3SP65TR GEN4	27W	8 inch	2970 ml	110 LPW	6500K	Ra≥90	4 pcs

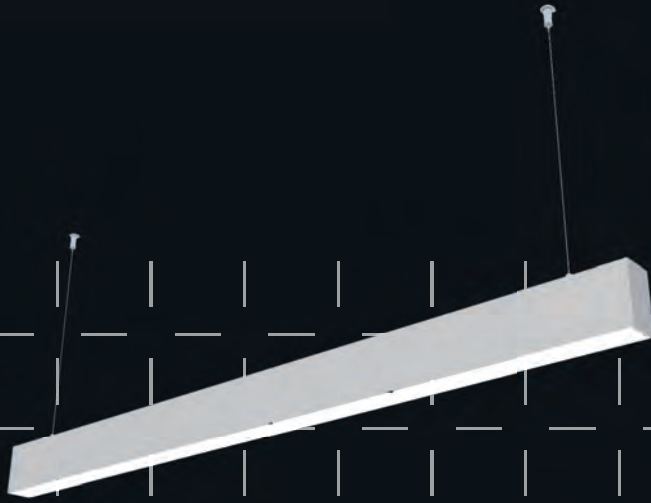


The above is only including a part of product info. Please consult us if any further product info is needed.

BYLINE Pro



Lumination Linear



Current



Gap-free & in-filed
· Easy operation joiner



Multiple Installation

- Suspended
- Surface
- Wall Mounting
- Recessed



Sensor Optional

- Microwave Sensor
- IR Sensor
- Timer



Die-casting Endcaps

- Anti-light leaking design



6063 Aluminum

- Silver/Black clear matt anodize
- White/Black matt powder coating
- Customized RAL color available



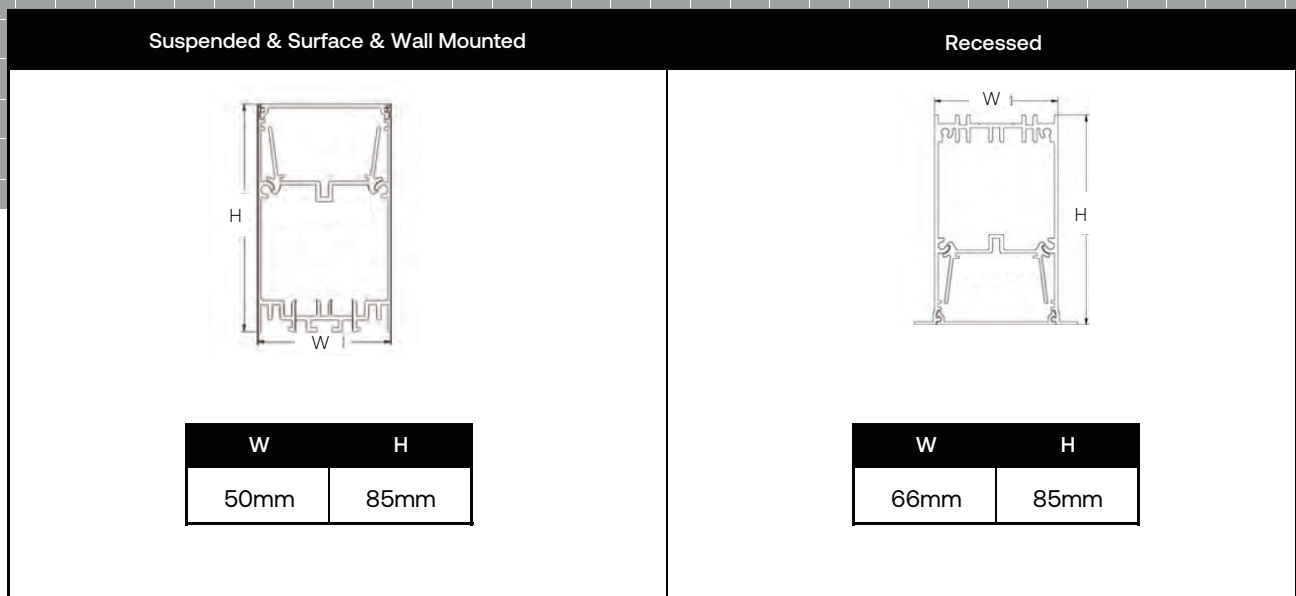
Optical options

- Various Beam angle Lens
- Anti-Glare Film, UGR<19
- Rolling PC Diffuser up to 25m/pc

Typical Specifications

Size	2ft	4ft
System Power	18W	36W
Luminous Flux	1620-2520lm	3240-5040lm
System Efficiency	90/110/160 LPW	
CCT	3000K/3500K/4000K/6500K	
CRI	Ra≥80/Ra≥90	
Flicker Free	Yes	
SDCM	≤3	
Beam Angle	60°/90°/120°/Batwing/Asymmetric	
Input Voltage	220-240V	
Power Factor	≥0.9	
THD	<20%	
Ripple Current Ratio	≤5%	
Control	On/Off /Dali /0-10V Optional	
Protection	IP20	
Safety Class	Class II	
Glare Control(UGR)	≤19/≤22	
Housing Material	Aluminum	
Working Temperature	-30~+40°C	
Rated Lifetime	50,000 hrs	
Mounting	Suspended/Surface/Recessed/Wall Mounted	

Dimension





Photometric

Lens/Diffuser Design	Photometric			
	<p>Wall Washer</p>			
	<p>50° x 50°</p>			
	<p>35° x 75°</p>			
	<p>15°</p>	<p>30°</p>	<p>45°</p>	
	<p>60°</p>	<p>90°</p>	<p>BATWING</p>	<p>ASYMMETRIC</p>

Mounting

Suspended	Surface	Wall Mounting	Recessed

Order Logic

BYLINE	2FT	18W	90	30K	--	G	90
PROD. ID	Size	Power	CRI	CCT	Beam Angle	Install	LPW
BYLINE: BYLINE Pro Linear	2FT	18W	Default: Ra≥80	30K: 3000K	Default: 120°	G: Suspended	90: 90 LPW
	4FT	36W	90: Ra≥90	40K: 4000K	60D: 60°	R: Recessed	110: 110 LPW
				65K: 6500K	90D: 90°	M: Surface	140: 140 LPW
					Bat: Batwing	W: Wall mounted	
					Asy: Asymmetric		

Order Description

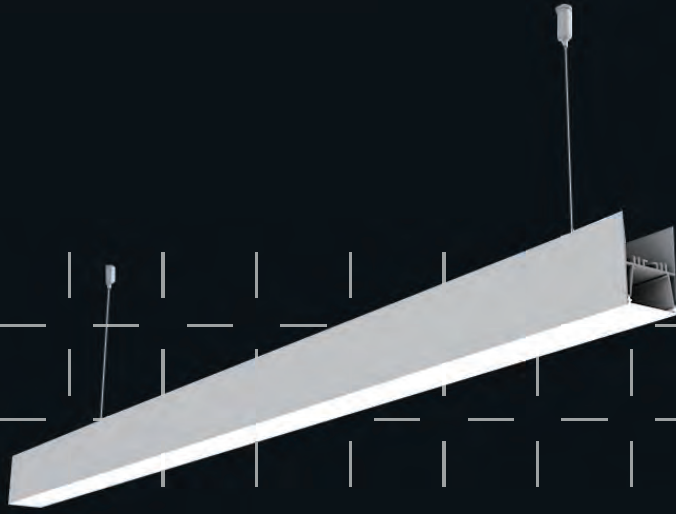
Description	Power	Length	Lumens	Efficacy	CCT	CRI	Beam Angle	Lifetime	QTY/CTN
BYLINE2FT18W30K-G90	18W	608mm	1620 lm	90 LPW	3000K	Ra≥80	120°	50,000 hrs	6 pcs
BYLINE2FT18W40K-G90	18W	608mm	1620 lm	90 LPW	4000K	Ra≥80	120°	50,000 hrs	6 pcs
BYLINE2FT18W65K-G90	18W	608mm	1620 lm	90 LPW	6500K	Ra≥80	120°	50,000 hrs	6 pcs
BYLINE4FT36W30K-G90	36W	1208mm	3240 lm	90 LPW	3000K	Ra≥80	120°	50,000 hrs	6 pcs
BYLINE4FT36W40K-G90	36W	1208mm	3240 lm	90 LPW	4000K	Ra≥80	120°	50,000 hrs	6 pcs
BYLINE4FT36W65K-G90	36W	1208mm	3240 lm	90 LPW	6500K	Ra≥80	120°	50,000 hrs	6 pcs
BYLINE2FT18W30K-G110	18W	608mm	1980 lm	110 LPW	3000K	Ra≥80	120°	50,000 hrs	6 pcs
BYLINE2FT18W40K-G110	18W	608mm	1980 lm	110 LPW	4000K	Ra≥80	120°	50,000 hrs	6 pcs
BYLINE2FT18W65K-G110	18W	608mm	1980 lm	110 LPW	6500K	Ra≥80	120°	50,000 hrs	6 pcs
BYLINE4FT36W30K-G110	36W	1208mm	3960 lm	110 LPW	3000K	Ra≥80	120°	50,000 hrs	6 pcs
BYLINE4FT36W40K-G110	36W	1208mm	3960 lm	110 LPW	4000K	Ra≥80	120°	50,000 hrs	6 pcs
BYLINE4FT36W65K-G110	36W	1208mm	3960 lm	110 LPW	6500K	Ra≥80	120°	50,000 hrs	6 pcs
BYLINE2FT18W30K-G140	18W	608mm	2520 lm	140 LPW	3000K	Ra≥80	120°	50,000 hrs	6 pcs
BYLINE2FT18W40K-G140	18W	608mm	2520 lm	140 LPW	4000K	Ra≥80	120°	50,000 hrs	6 pcs
BYLINE2FT18W65K-G140	18W	608mm	2520 lm	140 LPW	6500K	Ra≥80	120°	50,000 hrs	6 pcs
BYLINE4FT36W30K-G140	36W	1208mm	5040 lm	140 LPW	3000K	Ra≥80	120°	50,000 hrs	6 pcs
BYLINE4FT36W40K-G140	36W	1208mm	5040 lm	140 LPW	4000K	Ra≥80	120°	50,000 hrs	6 pcs
BYLINE4FT36W65K-G140	36W	1208mm	5040 lm	140 LPW	6500K	Ra≥80	120°	50,000 hrs	6 pcs
BYLINE2FT18W30K-R90	18W	608mm	1620 lm	90 LPW	3000K	Ra≥80	120°	50,000 hrs	6 pcs
BYLINE2FT18W40K-R90	18W	608mm	1620 lm	90 LPW	4000K	Ra≥80	120°	50,000 hrs	6 pcs
BYLINE2FT18W65K-R90	18W	608mm	1620 lm	90 LPW	6500K	Ra≥80	120°	50,000 hrs	6 pcs
BYLINE4FT36W30K-R90	36W	1208mm	3240 lm	90 LPW	3000K	Ra≥80	120°	50,000 hrs	6 pcs
BYLINE4FT36W40K-R90	36W	1208mm	3240 lm	90 LPW	4000K	Ra≥80	120°	50,000 hrs	6 pcs
BYLINE4FT36W65K-R90	36W	1208mm	3240 lm	90 LPW	6500K	Ra≥80	120°	50,000 hrs	6 pcs
BYLINE2FT18W30K-R110	18W	608mm	1980 lm	110 LPW	3000K	Ra≥80	120°	50,000 hrs	6 pcs
BYLINE2FT18W40K-R110	18W	608mm	1980 lm	110 LPW	4000K	Ra≥80	120°	50,000 hrs	6 pcs
BYLINE2FT18W65K-R110	18W	608mm	1980 lm	110 LPW	6500K	Ra≥80	120	50,000 hrs	6 pcs
BYLINE4FT36W30K-R110	36W	1208mm	3960 lm	110 LPW	3000K	Ra≥80	°120°	50,000 hrs	6 pcs
BYLINE4FT36W40K-R110	36W	1208mm	3960 lm	110 LPW	4000K	Ra≥80	120°	50,000 hrs	6 pcs
BYLINE4FT36W65K-R110	36W	1208mm	3960 lm	110 LPW	6500K	Ra≥80	120°	50,000 hrs	6 pcs
BYLINE2FT18W30K-R140	18W	608mm	2520 lm	140 LPW	3000K	Ra≥80	120°	50,000 hrs	6 pcs
BYLINE2FT18W40K-R140	18W	608mm	2520 lm	140 LPW	4000K	Ra≥80	120°	50,000 hrs	6 pcs
BYLINE2FT18W65K-R140	18W	608mm	2520 lm	140 LPW	6500K	Ra≥80	120°	50,000 hrs	6 pcs
BYLINE4FT36W30K-R140	36W	1208mm	5040 lm	140 LPW	3000K	Ra≥80	120°	50,000 hrs	6 pcs
BYLINE4FT36W40K-R140	36W	1208mm	5040 lm	140 LPW	4000K	Ra≥80	120°	50,000 hrs	6 pcs
BYLINE4FT36W65K-R140	36W	1208mm	5040 lm	140 LPW	6500K	Ra≥80	120°	50,000 hrs	6 pcs

The above is only including a part of product info. Please consult us if any further product info is needed.

BYLINE Eco



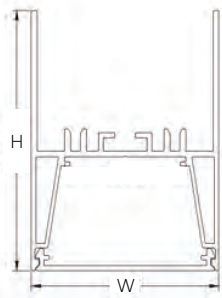
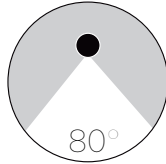
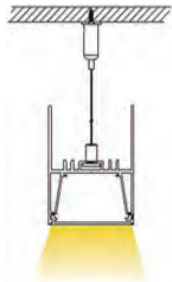
 Lumination Linear



Dimension

Photometric

Mounting

	W	H		
	51mm	68mm		

Order Logic

PROD. ID	Size	Power	CRI	CCT	Install	LPW
BYLECO:	2FT	18W	Ra≥80	30: 3000K	G: Suspended	Default: 90 LPW
BYLINE Eco	4FT	36W		40: 4000K	R: Recessed	110 LPW (Optional)
Linear	1 M	30W		65: 6500K	M: Surface	
	2M	60W			W: Wall mounted	
	3M	90W				

Order Description

Description	Power	Length	Lumens	Efficacy	CCT	CRI	Beam Angle	Lifetime	QTY/CTN
BYLECO2FT18W840	18W	608 mm	1620 lm	90 LPW	4000K	Ra≥80	80°	50,000 hrs	6 pcs
BYLECO4FT36W840	36W	1208 mm	3240 lm	90 LPW	4000K	Ra≥80	80°	50,000 hrs	6 pcs
BYLECO2FT18W865	18W	608 mm	1620 lm	90 LPW	6500K	Ra≥80	80°	50,000 hrs	6 pcs
BYLECO4FT36W865	36W	1208 mm	3240 lm	90 LPW	6500K	Ra≥80	80°	50,000 hrs	6 pcs
BYLECO1M30W840	30W	1008 mm	2700 lm	90 LPW	4000K	Ra≥80	80°	50,000 hrs	6 pcs
BYLECO2M60W840	60W	2008mm	5400 lm	90 LPW	4000K	Ra≥80	80°	50,000 hrs	4 pcs
BYLECO3M90W840	90W	3008mm	8100 lm	90 LPW	4000K	Ra≥80	80°	50,000 hrs	2 pcs
BYLECO1M30W865	30W	1008 mm	2700 lm	90 LPW	6500K	Ra≥80	80°	50,000 hrs	6 pcs
BYLECO2M60W865	60W	2008mm	5400 lm	90 LPW	6500K	Ra≥80	80°	50,000 hrs	4 pcs
BYLECO3M90W865	90W	3008mm	8100 lm	90 LPW	6500K	Ra≥80	80°	50,000 hrs	2 pcs

The above is only including a part of product info. Please consult us if any further product info is needed.

YeL

 Lumination Spotlight



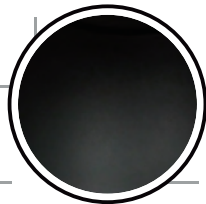
Product Features



Reflector Color Options



Rose Gold



Frosted Black



Starlight Silver



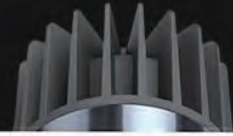
Frosted White



Starlight Black

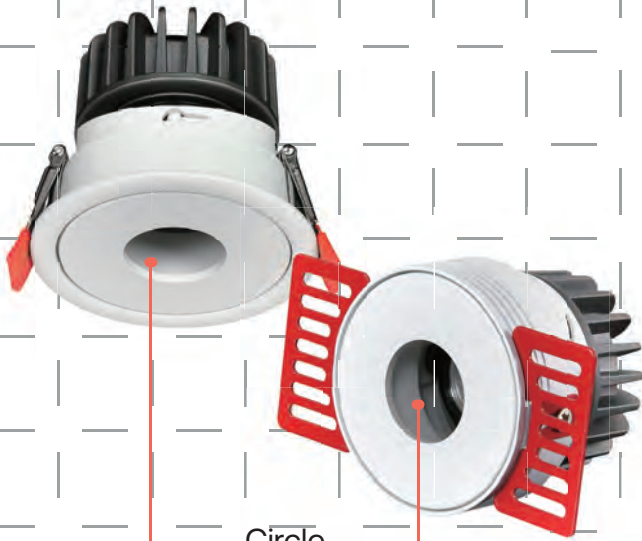


Standard

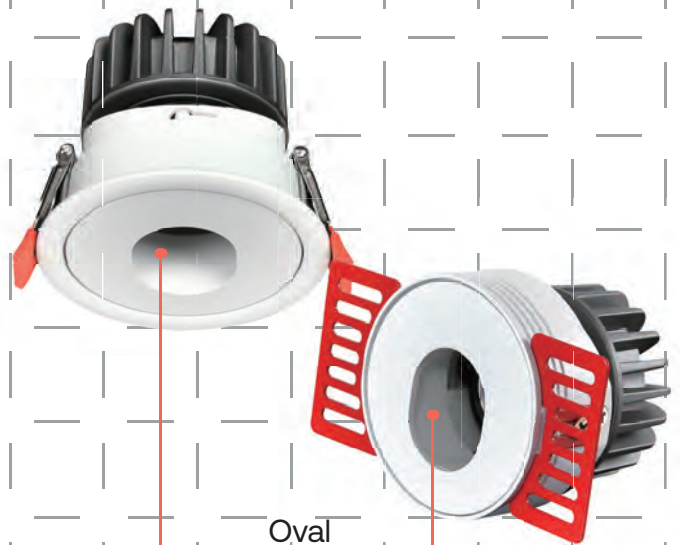


Rimless

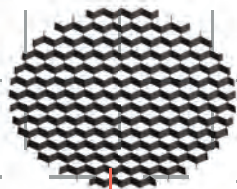
Glare proof accessories



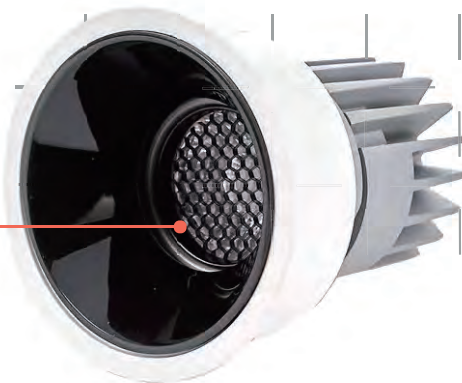
Circle lampshade



Oval lampshade



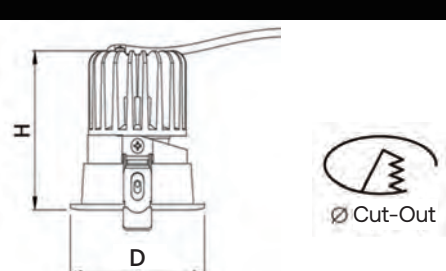
Honeycomb sheet



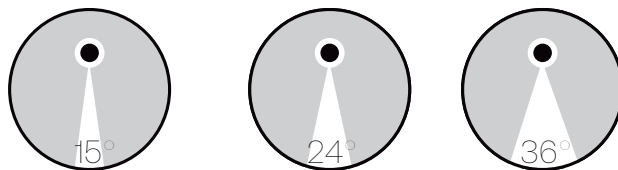
Typical Specifications

System Power	7W	12W	18W
Lumens	560lm	900lm	1350lm
System Efficacy	80LPW		
CCT	2700K/3000K/3500K/4000K		
CRI	Ra≥90		
Beam Angle	15°/24°/36°		
Input Voltage	220-240 V		
Power Factor	≥0.9	≥0.9	≥0.9
Protection	IP20		
Safety Class	Class II		
Housing Material	Aluminum		
Rated Lifetime	30,000 hrs		
Mounting	Recessed		

Dimension

	Power	Cut-Out	D	H
	7W	Φ55mm	63mm	70mm
	12W	Φ75mm	85mm	86mm
	18W	Φ95mm	110mm	87mm

Photometric



Order Logic

PROD. ID	Power	Beam angle	CCT	Reflector color	Rim	Accessory
YLSU YeL Spotlight	7W	15D=15°	27: 2700K	DK=Starlight Black	Standard	1=Honeycomb sheet
	12W	24D=24°	30: 3000K	WH=Frosted White	Rimless	2=Round hole
	18W	36D=36°	35: 3500K	BK=Frosted Black	models=RM	
			40: 4000K	SL=Starlight Sliver		3=Oval Hole
				GO=Rose Gold		



Order Description

Description	Power	Lumens	CCT	Beam Angle	Reflector Color	Rim	QTY/CTN
YLSU7W15D30K -DK	7W	560 lm	3000K	15°	Starlight Black	Standard	60 pcs
YLSU12W15D30K -DK	12W	900 lm	3000K	15°	Starlight Black	Standard	40 pcs
YLSU18W15D30K -DK	18W	1350 lm	3000K	15°	Starlight Black	Standard	27 pcs
YLSU7W24D30K -DK	7W	560 lm	3000K	24°	Starlight Black	Standard	60 pcs
YLSU12W24D30K -DK	12W	900 lm	3000K	24°	Starlight Black	Standard	40 pcs
YLSU18W24D30K -DK	18W	1350 lm	3000K	24°	Starlight Black	Standard	27 pcs
YLSU7W36D30K -DK	7W	560 lm	3000K	36°	Starlight Black	Standard	60 pcs
YLSU12W36D30K -DK	12W	900 lm	3000K	36°	Starlight Black	Standard	40 pcs
YLSU18W36D30K -DK	18W	1350 lm	3000K	36°	Starlight Black	Standard	27 pcs
YLSU7W15D30K -DK -RM	7W	560 lm	3000K	15°	Starlight Black	Rimless	60 pcs
YLSU12W15D30K -DK -RM	12W	900 lm	3000K	15°	Starlight Black	Rimless	40 pcs
YLSU18W15D30K -DK -RM	18W	1350 lm	3000K	15°	Starlight Black	Rimless	27 pcs
YLSU7W24D30K -DK -RM	7W	560 lm	3000K	24°	Starlight Black	Rimless	60 pcs
YLSU12W24D30K -DK -RM	12W	900 lm	3000K	24°	Starlight Black	Rimless	40 pcs
YLSU18W24D30K -DK -RM	18W	1350 lm	3000K	24°	Starlight Black	Rimless	27 pcs
YLSU7W36D30K -DK -RM	7W	560 lm	3000K	36°	Starlight Black	Rimless	60 pcs
YLSU12W36D30K -DK -RM	12W	900 lm	3000K	36°	Starlight Black	Rimless	40 pcs
YLSU18W36D30K -DK -RM	18W	1350 lm	3000K	36°	Starlight Black	Rimless	27 pcs
YLSU7W15D30K -BK	7W	560 lm	3000K	15°	Frosted Black	Standard	60 pcs
YLSU12W15D30K -BK	12W	900 lm	3000K	15°	Frosted Black	Standard	40 pcs
YLSU18W15D30K -BK	18W	1350 lm	3000K	15°	Frosted Black	Standard	27 pcs
YLSU7W24D30K -BK	7W	560 lm	3000K	24°	Frosted Black	Standard	60 pcs
YLSU12W24D30K -BK	12W	900 lm	3000K	24°	Frosted Black	Standard	40 pcs
YLSU18W24D30K -BK	18W	1350 lm	3000K	24°	Frosted Black	Standard	27 pcs
YLSU7W36D30K -BK	7W	560 lm	3000K	36°	Frosted Black	Standard	60 pcs
YLSU12W36D30K -BK	12W	900 lm	3000K	36°	Frosted Black	Standard	40 pcs
YLSU18W36D30K -BK	18W	1350 lm	3000K	36°	Frosted Black	Standard	27 pcs
YLSU7W15D30K -BK -RM	7W	560 lm	3000K	15°	Frosted Black	Rimless	60 pcs
YLSU12W15D30K -BK -RM	12W	900 lm	3000K	15°	Frosted Black	Rimless	40 pcs
YLSU18W15D30K -BK -RM	18W	1350 lm	3000K	15°	Frosted Black	Rimless	27 pcs
YLSU7W24D30K -BK -RM	7W	560 lm	3000K	24°	Frosted Black	Rimless	60 pcs
YLSU12W24D30K -BK -RM	12W	900 lm	3000K	24°	Frosted Black	Rimless	40 pcs
YLSU18W24D30K -BK -RM	18W	1350 lm	3000K	24°	Frosted Black	Rimless	27 pcs
YLSU7W36D30K -BK -RM	7W	560 lm	3000K	36°	Frosted Black	Rimless	60 pcs
YLSU12W36D30K -BK -RM	12W	900 lm	3000K	36°	Frosted Black	Rimless	40 pcs
YLSU18W36D30K -BK -RM	18W	1350 lm	3000K	36°	Frosted Black	Rimless	27 pcs
YLSU7W15D30K -WH	7W	560 lm	3000K	15°	Frosted White	Standard	60 pcs
YLSU12W15D30K -WH	12W	900 lm	3000K	15°	Frosted White	Standard	40 pcs
YLSU18W15D30K -WH	18W	1350 lm	3000K	15°	Frosted White	Standard	27 pcs
YLSU7W24D30K -WH	7W	560 lm	3000K	24°	Frosted White	Standard	60 pcs
YLSU12W24D30K -WH	12W	900 lm	3000K	24°	Frosted White	Standard	40 pcs
YLSU18W24D30K -WH	18W	1350 lm	3000K	24°	Frosted White	Standard	27 pcs
YLSU7W36D30K -WH	7W	560 lm	3000K	36°	Frosted White	Standard	60 pcs
YLSU12W36D30K -WH	12W	900 lm	3000K	36°	Frosted White	Standard	40 pcs
YLSU18W36D30K -WH	18W	1350 lm	3000K	36°	Frosted White	Standard	27 pcs

Order Description

Description	Power	Lumens	CCT	Beam Angle	Reflector Color	Rim	QTY/CTN
YLSU7W15D30K -WH -RM	7W	560 lm	3000K	15°	Frosted White	Rimless	60 pcs
YLSU12W15D30K -WH -RM	12W	900 lm	3000K	15°	Frosted White	Rimless	40 pcs
YLSU18W15D30K -WH -RM	18W	1350 lm	3000K	15°	Frosted White	Rimless	27 pcs
YLSU7W24D30K -WH -RM	7W	560 lm	3000K	24°	Frosted White	Rimless	60 pcs
YLSU12W24D30K -WH -RM	12W	900 lm	3000K	24°	Frosted White	Rimless	40 pcs
YLSU18W24D30K -WH -RM	18W	1350 lm	3000K	24°	Frosted White	Rimless	27 pcs
YLSU7W36D30K -WH -RM	7W	560 lm	3000K	36°	Frosted White	Rimless	60 pcs
YLSU12W36D30K -WH -RM	12W	900 lm	3000K	36°	Frosted White	Rimless	40 pcs
YLSU18W36D30K -WH -RM	18W	1350 lm	3000K	36°	Frosted White	Rimless	27 pcs
YLSU7W15D30K -SL	7W	560 lm	3000K	15°	Starlight Silver	Standard	60 pcs
YLSU12W15D30K -SL	12W	900 lm	3000K	15°	Starlight Silver	Standard	40 pcs
YLSU18W15D30K -SL	18W	1350 lm	3000K	15°	Starlight Silver	Standard	27 pcs
YLSU7W24D30K -SL	7W	560 lm	3000K	24°	Starlight Silver	Standard	60 pcs
YLSU12W24D30K -SL	12W	900 lm	3000K	24°	Starlight Silver	Standard	40 pcs
YLSU18W24D30K -SL	18W	1350 lm	3000K	24°	Starlight Silver	Standard	27 pcs
YLSU7W36D30K -SL	7W	560 lm	3000K	36°	Starlight Silver	Standard	60 pcs
YLSU12W36D30K -SL	12W	900 lm	3000K	36°	Starlight Silver	Standard	40 pcs
YLSU18W36D30K -SL	18W	1350 lm	3000K	36°	Starlight Silver	Standard	27 pcs
YLSU7W15D30K -SL -RM	7W	560 lm	3000K	15°	Starlight Silver	Rimless	60 pcs
YLSU12W15D30K -SL -RM	12W	900 lm	3000K	15°	Starlight Silver	Rimless	40 pcs
YLSU18W15D30K -SL -RM	18W	1350 lm	3000K	15°	Starlight Silver	Rimless	27 pcs
YLSU7W24D30K -SL -RM	7W	560 lm	3000K	24°	Starlight Silver	Rimless	60 pcs
YLSU12W24D30K -SL -RM	12W	900 lm	3000K	24°	Starlight Silver	Rimless	40 pcs
YLSU18W24D30K -SL -RM	18W	1350 lm	3000K	24°	Starlight Silver	Rimless	27 pcs
YLSU7W36D30K -SL -RM	7W	560 lm	3000K	36°	Starlight Silver	Rimless	60 pcs
YLSU12W36D30K -SL -RM	12W	900 lm	3000K	36°	Starlight Silver	Rimless	40 pcs
YLSU18W36D30K -SL -RM	18W	1350 lm	3000K	36°	Starlight Silver	Rimless	27 pcs
YLSU7W15D30K -GO	7W	560 lm	3000K	15°	Rose Gold	Standard	60 pcs
YLSU12W15D30K -GO	12W	900 lm	3000K	15°	Rose Gold	Standard	40 pcs
YLSU18W15D30K -GO	18W	1350 lm	3000K	15°	Rose Gold	Standard	27 pcs
YLSU7W24D30K -GO	7W	560 lm	3000K	24°	Rose Gold	Standard	60 pcs
YLSU12W24D30K -GO	12W	900 lm	3000K	24°	Rose Gold	Standard	40 pcs
YLSU18W24D30K -GO	18W	1350 lm	3000K	24°	Rose Gold	Standard	27 pcs
YLSU7W36D30K -GO	7W	560 lm	3000K	36°	Rose Gold	Standard	60 pcs
YLSU12W36D30K -GO	12W	900 lm	3000K	36°	Rose Gold	Standard	40 pcs
YLSU18W36D30K -GO	18W	1350 lm	3000K	36°	Rose Gold	Standard	27 pcs
YLSU7W15D30K -GO -RM	7W	560 lm	3000K	15°	Rose Gold	Rimless	60 pcs
YLSU12W15D30K -GO -RM	12W	900 lm	3000K	15°	Rose Gold	Rimless	40 pcs
YLSU18W15D30K -GO -RM	18W	1350 lm	3000K	15°	Rose Gold	Rimless	27 pcs
YLSU7W24D30K -GO -RM	7W	560 lm	3000K	24°	Rose Gold	Rimless	60 pcs
YLSU12W24D30K -GO -RM	12W	900 lm	3000K	24°	Rose Gold	Rimless	40 pcs
YLSU18W24D30K -GO -RM	18W	1350 lm	3000K	24°	Rose Gold	Rimless	27 pcs
YLSU7W36D30K -GO -RM	7W	560 lm	3000K	36°	Rose Gold	Rimless	60 pcs
YLSU12W36D30K -GO -RM	12W	900 lm	3000K	36°	Rose Gold	Rimless	40 pcs
YLSU18W36D30K -GO -RM	18W	1350 lm	3000K	36°	Rose Gold	Rimless	27 pcs

The above is only including a part of product info. Please consult us if any further product info is needed.

365DisInFx™





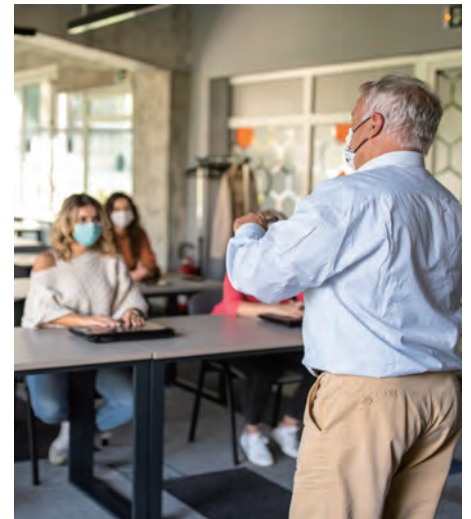
Different Solutions for Different Need

Meeting today’s challenging demands for cleaner facilities requires complementary disinfection measures based on facility use and design. Current Lighting Solutions, stands ready with disinfection UV solutions that provide an additive solution for both viruses in the air and bacteria on surfaces without time and occupancy constraints.

Compliant IEC 62471–Photobiological Safety for Lamps and Lamp Systems standard and American Conference of Governmental Industrial Hygienists (ACGIH)® TLVs® guidelines for human exposure to UV.

Continuous Flexible LED solutions for 24-hour occupancy with UV dosage designed to operate below human health exposure limits.*

Test-Driven Third-party testing substantiates our claims and validates our predictive models;we continue to expand our testing to verify effectiveness against additional pathogens.**



A Breakthrough in LED

Now

Traditional UV germicidal disinfection lighting

Xenon discharge or mercury-based lamps deliver uncontrolled high doses of UV to inactivate pathogens.

For use in unoccupied spaces only or with safeguards required to eliminate possibility of direct exposure.

Lamp sizes that can create limitations related to form factor.

Next

LED disinfection lighting solutions

Controllable LED functionality can be designed to emit high-efficiency UVA/UVC for continuous use in occupied spaces.

Flexible design and application integration due to LED system size.

*Of IEC 62471 Photobiological Safety for Lamps and Lamp Systems standard and American Conference of Governmental Industrial Hygienists (ACGIH®).
 **GE Current, a Daintree company, is certified through UL’s Data Acceptance Program (DAP) to perform testing to the IEC 62471 safety standard.

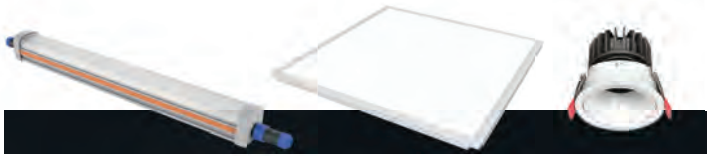


Facility owners and managers must deal with the ever-changing backdrop of concerns related to spaces where people gather and interact.

Current teams have been applying resources and design expertise in meeting this growing industry challenge.

UVA

Unique offerings to help in disinfection strategy.



UKK & UKF

- Delivers low-dose UVA to inactivate bacteria on surfaces
- Integrated into various light fixtures
- Special designed lens transmits UVA

UVC



UKT

- Delivers low-dose UVC to inactivate aerosolized viruses
- An easy-to-apply device

Disinfection Lighting for Occupied Spaces: 365DisInFx™

- LED-delivered solutions that help inactivate pathogens both in the air and on surfaces
 - LED solutions designed to deliver 24-hour deactivation in occupied spaces
- Meets IEC 62471 standards and ACGIH® guidelines for 24-hour-a-day occupancy

365DisInFx™ UV technology addresses airborne pathogens and should be used in conjunction with proper PPE and cleaning protocols as part of a complete indoor disinfection strategy. If combining two or more UV solutions, please consult a trained product application representative to ensure the total irradiance (UV dose) does not exceed recommended human exposure limits.

This may negatively impact inactivation rates.

Why Current?

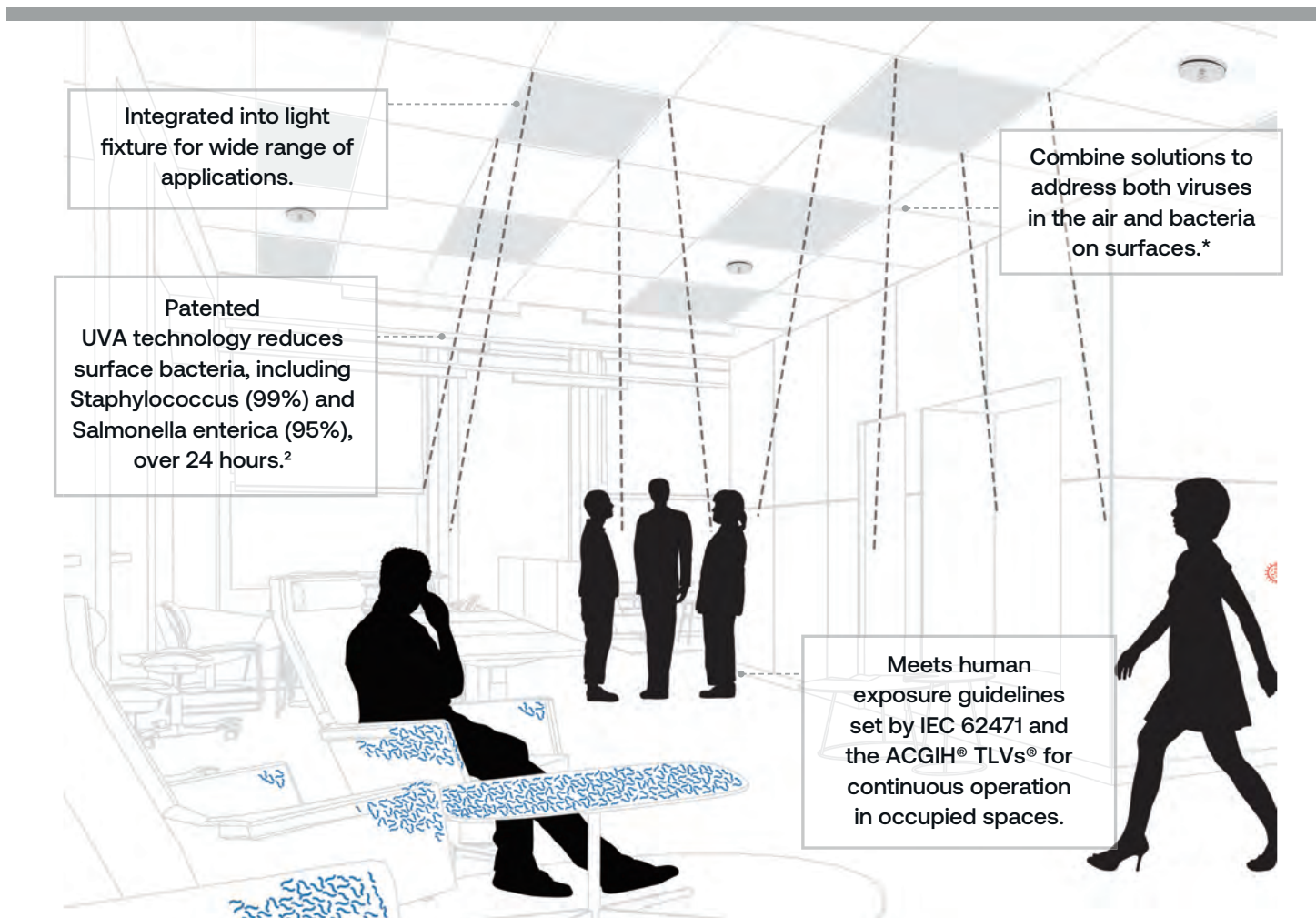
We bring a long-standing and broad range of experience in light source and fixture technology. That, coupled with scientific know-how and investment, has led to highly effective solutions—targeting specific UV wavelengths—for surface and airborne pathogen deactivation.



UVA Technology: Surface Disinfection

Many bacterial and fungal pathogens are transmitted primarily through high-touch surfaces.

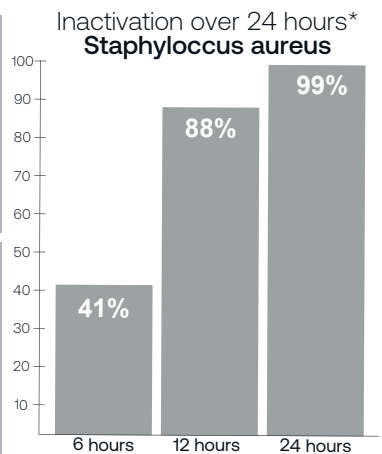
365DisInFx™ UVA technology integrated into the light fixture helps provide surface disinfection while lighting the space.



24/7

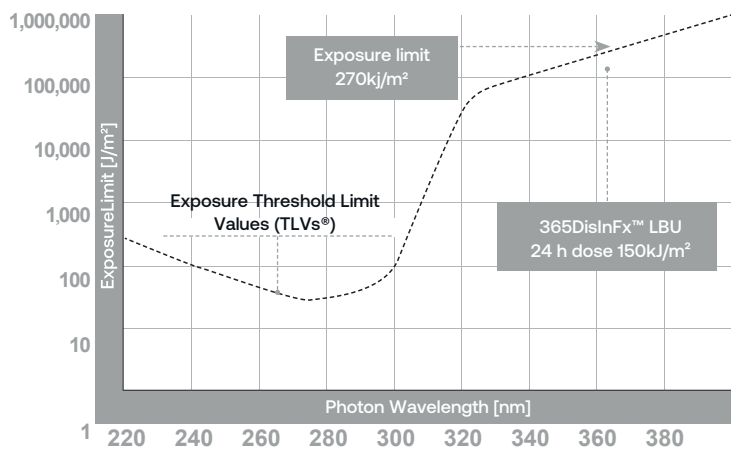
Continuous Inactivation

Photoactivation helps render pathogen inactive



*0.5/m² and 24-hour exposure, predicted inactivation Based on photobiological science and mathematical modeling

ACGIH® Exposure Threshold Limit Value (TLVs®) vs. Wavelength

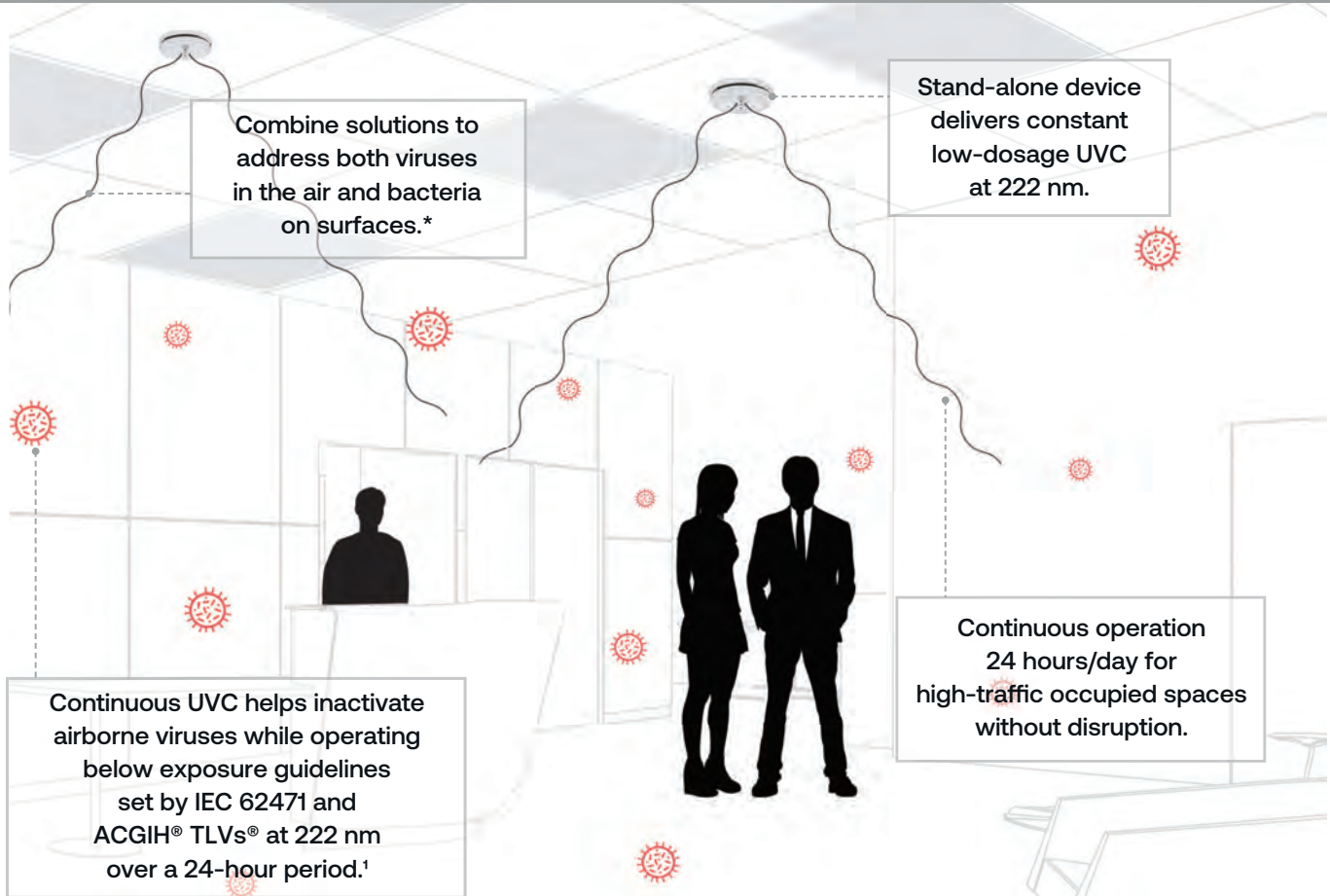


Continuous low dosage at 365 nm inactivates surface bacteria and fungi below ACGIH® TLVs®



UVC Technology: Air Disinfection

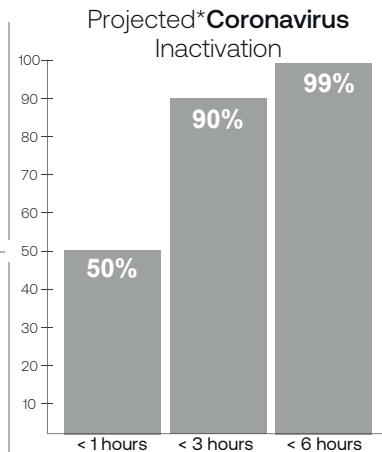
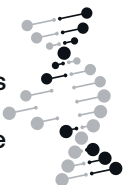
While droplets fall quickly out of suspension, aerosolized viruses can remain airborne for hours. 365DisInFx™ UVC technology solutions can help reduce viruses in air.¹



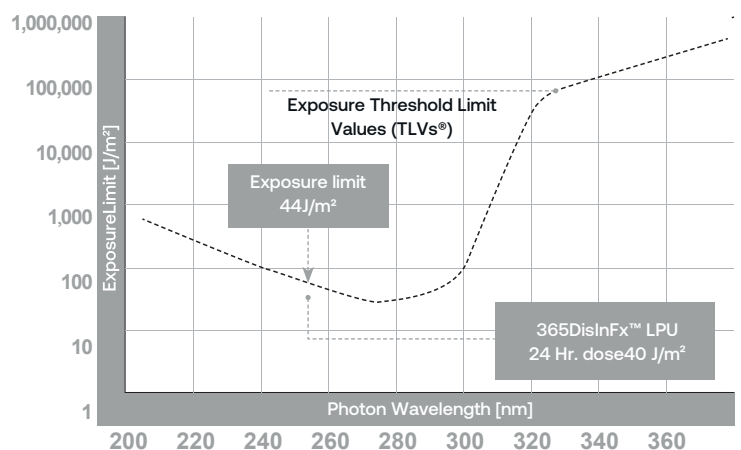
* If combining two or more UV solutions, please consult a trained product application representative to ensure the total irradiance (UV dose) does not exceed recommended human exposure limits. This may negatively impact inactivation rates.

24/7
Continuous Inactivation

Disrupts RNA of viruses to help inactivate them



ACGIH® Exposure Threshold Limit Value (TLVs®) vs. Wavelength



Continuous low dosage at 254 nm inactivates aerosolized pathogens without exceeding ACGIH® TLVs®



GE Current, a Daintree company, has completed in-situation testing of its 365DisInFx™ UVC disinfection technology LPU series devices utilizing the aerosolized virus, bacteriophage MS2.

This benchmark testing with the bacteriophage MS2 resulted in 88% inactivation of the aerosolized virus in a 10-by-10-by-8-foot room within 4 hours. Applying the test results to 24-hour continuous operation of the 365DisInFx™ LPU would result in 44% inactivation of bacteriophage MS2 in 2 hours.

Bacteriophage MS2 is a nonenveloped virus that is commonly used as a surrogate for viruses that are pathogenic to humans. It is particularly useful as a surrogate because published scientific testing and literature support that bacteriophage MS2 is more resistant to UVC than certain enveloped viruses, such as coronaviruses and influenza.

Based on photobiological science and mathematical modeling, Current anticipates equivalent or better results for seasonal coronaviruses and SARS-CoV-2. When properly installed and configured for the space, continuous operation of the 365DisInFx™ LPU should provide 50% inactivation in the first hour of exposure, 90% inactivation (1 log) in 3 hours or less of exposure, and 99% inactivation (2 log) in 6 hours or less of exposure. Current continues to conduct additional confirmatory testing.

365DisInFx™ UVA disinfection technology was tested using in vitro methods (as described in Livingston¹ and Kvam²), which resulted in 99.7% reduction in MRSA on surfaces exposed to 3W/m² UVA over a single 8-hour period. Results of this testing also showed significant reduction over a similar exposure period of certain common pathogens including **Staphylococcus aureus**, **Enterococcus faecalis**, **Escherichia coli**, **Acinetobacter baumannii**, **Pseudomonas aeruginosa**, **Candida albicans** and **auris**, associated with hospital-acquired infections (HAIs). Photobiological science and mathematical modeling enables us to calculate expected inactivation rates for 24-hour continuous operation of the 365DisInFx™ UVA technology.

Notes and Citations:

- Livingston SH, Cadnum JL, Benner KJ, Donskey CJ (2020) Efficacy of an ultraviolet-A lighting system for continuous decontamination of health care-associated pathogens on surfaces. *Am. J. Infect. Control* 48: 337-339. <https://doi.org/10.1016/j.ajic.2019.08.003>
 - inoculated steel disk carriers, modification of ASTM E-2197-02
 - using a benchtop device that delivered the 3W/m² irradiance
- Kvam E, Benner K (2017) Disinfection via LED Lighting: summary of mechanism and results for 365nm-mediated inactivation of microbes. GE Global Research Technical Information Series 2017GRC0545, GE Confidential (Class 3)
Kvam E, Benner K. Mechanistic insights into UV-A mediated bacterial disinfection via endogenous photosensitizers. *Journal of Photochemistry and Photobiology B: Biology*. 2020;209:111899. doi:10.1016/j.jphotobiol.2020.111899.
 - inoculated steel disk carriers, modification of ASTM E-2197-02
 - using a benchtop device that delivered the 3W/m² irradiance

To see our most up-to-date third-party test results and complete product portfolio, go to www.365DisInFx.com

Make an Informed Decision

Understanding the complexities of available technologies and selecting the right solution are a decision you can make with confidence when you choose Current.

- UV radiation can pose a risk of personal injury. Overexposure can result in damage to eyes and bare skin. To reduce risk of overexposure, equipment must be installed in accordance with manufacturer's site planning and application recommendations, including minimum ceiling height restrictions.
- UV solutions are intended for common high traffic spaces and not recommended for dwellings or home use.
- Installation of the devices should be performed by qualified professionals as detailed in Current's installation guide.
- To allow for occupancy during use, Current products comply with IEC 62471 – Photobiological Safety of Lamps and Lamp Systems standards and American Conference of Governmental Industrial Hygienists (ACGIH®) TLVs® guidelines when installed as directed.
- Current's UV products are meant to be used in conjunction with other protective measures like manual cleaning and the use of proper PPE. They are not a substitute for other measures.
- Current products are not intended for use as a medical device.
- If combining two or more UV solutions, whether from GE Current, a Daintree company and/or other manufacturers, please consult a trained product application representative to ensure the total irradiance (UV dose) does not exceed recommended human exposure limits. To the extent UV solutions are combined, it may impact inactivation rates.

UKK



365DisInFx™ Disinfection Light





Unique protection

- Special PMMA material, integrated extrusion process, fully sealed shell design;
- IP69K, anti-corrosion and anti-ammonia gas, suitable for complex environment

High efficiency

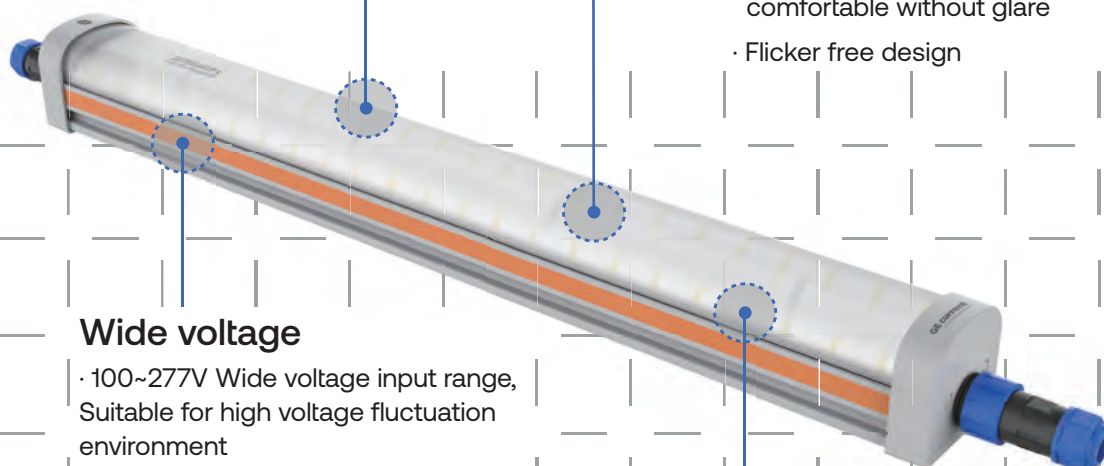
- Up to 125+ LPW
- Professional optical design, uniform light, comfortable without glare
- Flicker free design

Wide voltage

- 100~277V Wide voltage input range, Suitable for high voltage fluctuation environment

Easy installation

Optional surface mount and pendant installation



1. Patented UV spectrum

Provide sufficient UV disinfection solution to reduce bacteria and fungi, such as MRSA, Staphylococcus aureus, etc. Especially Salmonella choleraesuis, Porcine epidemic diarrhea virus (PEDV) in swine;

2. Compliant & Continuous

Meet IEC 62471 Photobiological Safety standard and ACGIH for human exposure to UV. Safety designed for human and animal to operate below health exposure limits with 24 hours exposure;

3. Smart Control

Built-in intelligent MCU chip, automatically adjust the brightness with time changes, adapt to the biological rhythm, create a health lighting environment for animal;

4. Independent channels

UV and white light are divided into two independent channels, which can be flexibly combined to achieve a suitable dose of UV light and white light on demand.



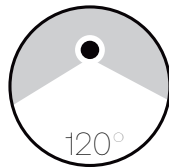
Typical Specifications

Model	UKK22W4FT857UVAND	UKK22W4FT857UVAS	UKK22W4FT857	UKK22W4FT857RED	UKK8W4FT857RED
Length	1200mm				
Lumens	2800lm			1000lm	
White Light Power	22W			8W	
UV Light Power	20W			N/A	
IP Rating	IP69K				
Housing Material	PMMA			PC	
Input Voltage	100-277V				
Power Factor	>0.9				
System Efficacy	127 LPW				
CCT	5700K				
CRI	Ra≥80				
Working Temperature	-10~+35°C				
Safety Class	Class I				
Rate Lifetime	30,000 hrs				
Wiring	Through Wring				
Mounting	Surface mount, Pendant				
Control	N/A	Biological rhythm		N/A	

Dimension

	A	B	W	H
	1336mm	1200mm	64mm	62mm

Photometric



Order Logic

UKK	22W	4FT	8	57	UVA
PROD. ID	Power	Length	CRI	CCT	UVA
UKK 365DisInFx Disinfection	22W	4FT=1200mm	8: Ra≥80	57: 5700K	UVA: UVA version UVAS: UVA version, Biological rhythm Blank: White light version RED: Red light version

Order Description

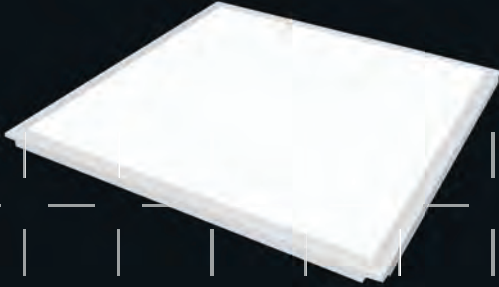
Description	UVA light Power	White light Power	White light Lumens	Red light Power	Red light Lumens	Total Power	CRI	CCT	QTY/CTN
UKK22W4FT857UVAND	20W	22W	2800 lm	N/A	N/A	42W	Ra≥80	5700K	4 pcs
UKK22W4FT857UVAS	20W	22W	2800 lm	N/A	N/A	42W	Ra≥80	5700K	4 pcs
UKK22W4FT857	N/A	22W	2800 lm	N/A	N/A	22W	Ra≥80	5700K	4 pcs
UKK22W4FT857RED	N/A	22W	2800 lm	14W	300 lm	36W	Ra≥80	5700K	4 pcs
UKK8W4FT857RED	N/A	8W	1000 lm	14W	300 lm	22W	Ra≥80	5700K	4 pcs

The above is only including a part of product info. Please consult us if any further product info is needed.

UKF



365DisInFx™ Disinfection Light




Current 



Typical Specifications

Lumens	3400mm	3600mm
Power	60W	
IP Rating	IP20/IP54	
Diffusive Material	Glass/PMMA	
Input Voltage	220-240V	
Power Factor	>0.9	
CCT	4000K/6500K	
CRI	Ra≥80	
Working Temperature	-20-+40°C	
Safety Class	Class II	
Rate Lifetime	30,000 hrs	
Mounting	Recessed /Surface	

Dimension

	L	W	H
	2X2 ft 595mm	595mm	31mm
	1X4 ft 1195mm	295mm	31mm

Order Logic

UKF	60W	2X2	PL	UVA	8	40	IP54	G
PROD. ID	Power	Length	Type	UV	CRI	CCT	IP	Glass
UKF	60W	2X2 ft: 600*600mm 1X4 ft: 300*1200mm	PL: Panel	UVA	Ra≥80	40:4000K 65:6500K	IP54 Rating Blank: IP20	G: Glass Blank: PMMA

Order Description

Description	Power	Size	Lumen	CCT	CRI	IP	Lifetime	QTY/CTN
UKF60W2X2PLUVA840G	60W	2x2 ft	3400 lm	4000K	Ra≥80	IP20	30,000 hrs	4 pcs
UKF60W1X4PLUVA840G	60W	1x4 ft	3400 lm	4000K	Ra≥80	IP20	30,000 hrs	4 pcs
UKF60W2X2PLUVA840	60W	2x2 ft	3600 lm	4000K	Ra≥80	IP20	30,000 hrs	4 pcs
UKF60W1X4PLUVA840	60W	1x4 ft	3600 lm	4000K	Ra≥80	IP20	30,000 hrs	4 pcs
UKF60W2X2PLUVA865G	60W	2x2 ft	3400 lm	6500K	Ra≥80	IP20	30,000 hrs	4 pcs
UKF60W1X4PLUVA865G	60W	1x4 ft	3400 lm	6500K	Ra≥80	IP20	30,000 hrs	4 pcs
UKF60W2X2PLUVA865	60W	2x2 ft	3600 lm	6500K	Ra≥80	IP20	30,000 hrs	4 pcs
UKF60W1X4PLUVA865	60W	1x4 ft	3600 lm	6500K	Ra≥80	IP20	30,000 hrs	4 pcs
UKF60W2X2PLUVA840IP54G	60W	2x2 ft	3400 lm	4000K	Ra≥80	IP54	30,000 hrs	4 pcs
UKF60W1X4PLUVA840IP54G	60W	1x4 ft	3400 lm	4000K	Ra≥80	IP54	30,000 hrs	4 pcs
UKF60W2X2PLUVA840IP54	60W	2x2 ft	3600 lm	4000K	Ra≥80	IP54	30,000 hrs	4 pcs
UKF60W1X4PLUVA840IP54	60W	1x4 ft	3600 lm	4000K	Ra≥80	IP54	30,000 hrs	4 pcs
UKF60W2X2PLUVA865IP54G	60W	2x2 ft	3400 lm	6500K	Ra≥80	IP54	30,000 hrs	4 pcs
UKF60W1X4PLUVA865IP54G	60W	1x4 ft	3400 lm	6500K	Ra≥80	IP54	30,000 hrs	4 pcs
UKF60W2X2PLUVA865IP54	60W	2x2 ft	3600 lm	6500K	Ra≥80	IP54	30,000 hrs	4 pcs
UKF60W1X4PLUVA865IP54	60W	1x4 ft	3600 lm	6500K	Ra≥80	IP54	30,000 hrs	4 pcs



Typical Specifications

Size	8inch	6inch	4inch
Lumens	1400lm	1400lm	700lm
Power	31W	31W	16W
IP Rating		IP20	
Diffusive Material	Glass	Glass	Glass
Input Voltage		220-240V	
Power Factor		>0.9	
CCT		4000K/6500K	
CRI		Ra≥80	
Working Temperature		-20- +40°C	
Safety Class		Class II	
Rate Lifetime		30,000 hrs	
Mounting		Recessed	

Dimension

	8 inch	Φ 220*105mm
	6 inch	Φ 185*95mm
	4 inch	Φ 130*70mm

Order Logic

UKF	31W	6L	DL	UVA	8	40
PROD.ID	Power	Length	Type	UV	CRI	CCT
UKF:	31W 60W	8L: 8inch 6L: 6inch 4L: 4inch	DL: Downlight	UVA	Ra≥80	40:4000K 65:6500K

Order Description

Description	Power	Size	Lumen	CCT	CRI	Lifetime	QTY/CTN
UKF31W8LDLUA840	31W	8 inch	1400 lm	4000K	Ra≥80	30,000 hrs	12 pcs
UKF31W8LDLUA865	31W	8 inch	1400 lm	6500K	Ra≥80	30,000 hrs	12 pcs
UKF31W6LDLUA840	31W	6 inch	1400 lm	4000K	Ra≥80	30,000 hrs	12 pcs
UKF31W6LDLUA865	31W	6 inch	1400 lm	6500K	Ra≥80	30,000 hrs	12 pcs
UKF16W4LDLUA840	16W	4 inch	700 lm	4000K	Ra≥80	30,000 hrs	12 pcs
UKF16W4LDLUA865	16W	4 inch	700 lm	6500K	Ra≥80	30,000 hrs	12 pcs

UKT



365DisInFx™ Disinfection Light

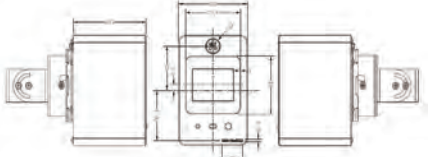




Typical Specifications

Power	15W	13W
Beam angle	64°	118°
Radiation flux	13.95W/cm ² @1m	
UV	UVC 222nm	
Input Voltage	220X204V	
Working Temperature	5~+40°C	
Rate Lifetime	10,000 hrs	

Dimension

	L	W	H
	100mm	105mm	150mm

Photometric



Order Logic

UKT PROD. ID	N Beam angle
UKT: 222nm	N: 64° W: 118°

Order Description

Description	Beam Angle	Power	N.W.
UKT-N	64°	15W	2 Kg
UKT-W	118°	13W	2 Kg

LED Tube



Why switch to LED tubes?

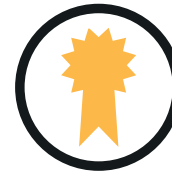
LED Tubes are the fast and easy way to upgrade to LED. With Current's integrated PC and Glass tubes, you can choose the best solution for your needs.



2.3X longer life
(70K vs. 30K hrs.)



Uses 50% less energy
(16W and 2500 lumens vs LFL 32W and 2800 lumens)



Better quality of light
(Instant-On)

Simplest Total System
direct wiring to mains



Highest install cost

Additional safety precautions
Fuse recommended, but not required

Uses no external driver or ballast

Eliminates compatibility issues

Excellent efficacy and additional maintenance savings



Current makes updating simpler.

Refit Solutions from Current

It's never been easier to upgrade from linear fluorescents to Current's LED tubes. With Current's expanding offering, there are efficient solutions for many popular application.

Available in 2, 3, 4ft lengths

Shatter-resistant plastic option to prevent breakage and downtime

Glass options fully illuminate fixture with >220° light distribution

Complete Offering

Current offers a **broader** and **deeper** LED Tubes assortment than leading competitors.

Innovative Designs

High-performance solutions for demanding market needs.

Trusted Experience

GE invented the first linear fluorescent in 1938, and Current has transferred to that leadership to LED tubes.



What features does Current offer versus the leading competitors?

More
total tube options

No Compromise
Right brightness, type, and material per application



More
PC&glass tubes

Wider Beam Angle
Distributes light better and eliminates dark spots



Highest Lumen
options in T8 & T5

Bright Light
Provides high light output for high-bay or demanding applications



covRguard[®]



LED Tube

Order Logic

PROD. ID	Power	Type	Length	CRI	CCT	Voltage
CVG	5.5W 9W 10W 13W 16W	T8	600mm: T8 size 2ft 1200mm: T8 size 4ft	8: Ra≥80	30: 3000K 40: 4000K 65: 6500K	220-240V

Order Description

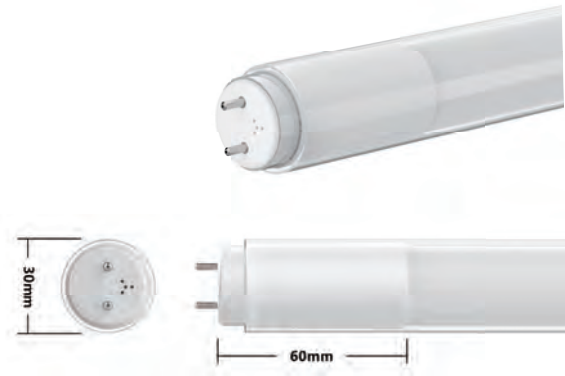
Description	Power	Voltage	Lumens	Efficacy	CCT	CRI	P.F	Length	Material	Life Time	QTY/CTN
CVG 5.5W/T8 600mm/830/220-240V	5.5W	220-240V	750 lm	136 LPW	3000K	Ra≥80	>0.9	600 mm	Plastic Coated Glass Tube	70,000hrs	20 pcs
CVG 5.5W/T8 600mm/840/220-240V	5.5W	220-240V	800 lm	145 LPW	4000K	Ra≥80	>0.9	600 mm	Plastic Coated Glass Tube	70,000hrs	20 pcs
CVG 5.5W/T8 600mm/865/220-240V	5.5W	220-240V	800 lm	145 LPW	6500K	Ra≥80	>0.9	600 mm	Plastic Coated Glass Tube	70,000hrs	20 pcs
CVG 9W/T8 600mm/830/220-240V	9W	220-240V	1300 lm	144 LPW	3000K	Ra≥80	>0.9	600 mm	Plastic Coated Glass Tube	70,000hrs	20 pcs
CVG 9W/T8 600mm/840/220-240V	9W	220-240V	1400 lm	156 LPW	4000K	Ra≥80	>0.9	600 mm	Plastic Coated Glass Tube	70,000hrs	20 pcs
CVG 9W/T8 600mm/865/220-240V	9W	220-240V	1400 lm	156 LPW	6500K	Ra≥80	>0.9	600 mm	Plastic Coated Glass Tube	70,000hrs	20 pcs
CVG 10W/T8 1200mm/830/220-240V	10W	220-240V	1500 lm	150 LPW	3000K	Ra≥80	>0.9	1200 mm	Plastic Coated Glass Tube	70,000hrs	20 pcs
CVG 10W/T8 1200mm/840/220-240V	10W	220-240V	1650 lm	165 LPW	4000K	Ra≥80	>0.9	1200 mm	Plastic Coated Glass Tube	70,000hrs	20 pcs
CVG 10W/T8 1200mm/865/220-240V	10W	220-240V	1650 lm	165 LPW	6500K	Ra≥80	>0.9	1200 mm	Plastic Coated Glass Tube	70,000hrs	20 pcs
CVG 13W/T8 1200mm/830/220-240V	13W	220-240V	1800 lm	138 LPW	3000K	Ra≥80	>0.9	1200 mm	Plastic Coated Glass Tube	70,000hrs	20 pcs
CVG 13W/T8 1200mm/840/220-240V	13W	220-240V	2000 lm	154 LPW	4000K	Ra≥80	>0.9	1200 mm	Plastic Coated Glass Tube	70,000hrs	20 pcs
CVG 13W/T8 1200mm/865/220-240V	13W	220-240V	2000 lm	154 LPW	6500K	Ra≥80	>0.9	1200 mm	Plastic Coated Glass Tube	70,000hrs	20 pcs
CVG 16W/T8 1200mm/830/220-240V	16W	220-240V	2300 lm	144 LPW	3000K	Ra≥80	>0.9	1200 mm	Plastic Coated Glass Tube	70,000hrs	20 pcs
CVG 16W/T8 1200mm/840/220-240V	16W	220-240V	2500 lm	156 LPW	4000K	Ra≥80	>0.9	1200 mm	Plastic Coated Glass Tube	70,000hrs	20 pcs
CVG 16W/T8 1200mm/865/220-240V	16W	220-240V	2500 lm	156 LPW	6500K	Ra≥80	>0.9	1200 mm	Plastic Coated Glass Tube	70,000hrs	20 pcs

The above is only including a part of product info. Please consult us if any further product info is needed.

Features

IDEAL FOR DEMANDING APPLICATIONS

- Industrial and Commercial Buildings
- Close proximity to food production or retail
- Applications with shatter/contamination concerns
- Added protection for production/employees/customers



MATERIAL DIFFERENCE

- Glass Tube and Polycarbonate sleeve
- Long-term durability with optimal light distribution No sag over time
- Factory sealed rigid CovRguard containment

MOST RIGOROUS

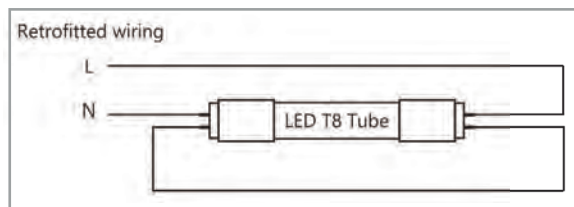
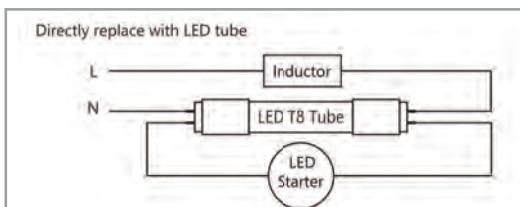
- Certified 3ft drop test
- Easy Regulatory compliance
- Eliminates need for field installed sleeve or fixture guard

BENEFITS

- Direct wire to bypass the ballast; reduces energy use, eliminates ballast compatibility and associated replacement maintenance costs
- Superior replacement for solid plastic tubes with more durability
- 2.3X longer life than LFL(70,000vs.30,000 hours) Better quality of light-instant on Easy disposal, non-hazardous waste

WIRING

- The program of compatible inductance circuit



- The program of the Mains electricity entering



Order Logic

LED8	T8	SG	1.2m	8	40	220-240V	G3
Power	Type	PROD. ID	Length	CRI	CCT	Voltage	Generation
LED 8: 8W	T8	NANO SG VG	0.6m: T8 size 2ft 1.2m: T8 size 4ft	8: Ra≥80	30: 3000K 40: 4000K 65: 6500K	220-240V 100-240V	G3

NANO Order Description

Description	Power	Voltage	Lumens	Efficacy	CCT	CRI	P.F	Length	Material	Life Time	QTY/CTN
LED7.5/T8 NANO/830/220-240V/HE G3	7.5W	220-240V	975 lm	130 LPW	3000K	Ra≥80	>0.9	600 mm	Nano PC	50,000 hrs	30 pcs
LED7.5/T8 NANO/840/220-240V/HE G3	7.5W	220-240V	1080 lm	144 LPW	4000K	Ra≥80	>0.9	600 mm	Nano PC	50,000 hrs	30 pcs
LED7.5/T8 NANO/865/220-240V/HE G3	7.5W	220-240V	1080 lm	144 LPW	6500K	Ra≥80	>0.9	600 mm	Nano PC	50,000 hrs	30 pcs
LED 6.5/T8 NANO/830/220-240V/HO G3	6.5W	220-240V	1012 lm	156 LPW	3000K	Ra≥80	>0.9	600 mm	Nano PC	50,000 hrs	30 pcs
LED 6.5/T8 NANO/840/220-240V/HO G3	6.5W	220-240V	1080 lm	166 LPW	4000K	Ra≥80	>0.9	600 mm	Nano PC	50,000 hrs	30 pcs
LED 6.5/T8 NANO/865/220-240V/HO G3	6.5W	220-240V	1080 lm	166 LPW	6500K	Ra≥80	>0.9	600 mm	Nano PC	50,000 hrs	30 pcs
LED 13.5/T8 NANO/830/220-240V/HO G3	13.5W	220-240V	2025 lm	150 LPW	3000K	Ra≥80	>0.9	1200 mm	Nano PC	50,000 hrs	30 pcs
LED 13.5/T8 NANO/840/220-240V/HO G3	13.5W	220-240V	2160 lm	160 LPW	4000K	Ra≥80	>0.9	1200 mm	Nano PC	50,000 hrs	30 pcs
LED 13.5/T8 NANO/865/220-240V/HO G3	13.5W	220-240V	2160 lm	160 LPW	6500K	Ra≥80	>0.9	1200 mm	Nano PC	50,000 hrs	30 pcs
LED 20/T8 NANO/830/220-240V/G3	20W	220-240V	2800 lm	140 LPW	3000K	Ra≥80	>0.9	1200 mm	Nano PC	50,000 hrs	30 pcs
LED 20/T8 NANO/840/220-240V/G3	20W	220-240V	3000 lm	150 LPW	4000K	Ra≥80	>0.9	1200 mm	Nano PC	50,000 hrs	30 pcs
LED 20/T8 NANO/865/220-240V/G3	20W	220-240V	3000 lm	150 LPW	6500K	Ra≥80	>0.9	1200 mm	Nano PC	50,000 hrs	30 pcs
LED 20/T8 PC/1.5m/865/220-240V	20W	220-240V	3000 lm	150 LPW	6500K	Ra≥80	>0.9	1500 mm	Nano PC	50,000 hrs	30 pcs

SG Order Description

Description	Power	Voltage	Lumens	Efficacy	CCT	CRI	P.F	Length	Material	Life Time	QTY/CTN
LED 8/T8SG 0.6m/830/220-240V/G3	8W	220-240V	750 lm	94 LPW	3000K	Ra≥80	>0.5	600 mm	Glass	30,000 hrs	20 pcs
LED 8/T8SG 0.6m/840/220-240V/G3	8W	220-240V	800 lm	100 LPW	4000K	Ra≥80	>0.5	600 mm	Glass	30,000 hrs	20 pcs
LED 8/T8SG 0.6m/865/220-240V/G3	8W	220-240V	800 lm	100 LPW	6500K	Ra≥80	>0.5	600 mm	Glass	30,000 hrs	20 pcs
LED 16/T8SG 1.2m/830/220-240V/G3	16W	220-240V	1450 lm	91 LPW	3000K	Ra≥80	>0.5	1200 mm	Glass	30,000 hrs	20 pcs
LED 16/T8SG 1.2m/840/220-240V/G3	16W	220-240V	1600 lm	100 LPW	4000K	Ra≥80	>0.5	1200 mm	Glass	30,000 hrs	20 pcs
LED 16/T8SG 1.2m/865/220-240V/G3	16W	220-240V	1600 lm	100 LPW	6500K	Ra≥80	>0.5	1200 mm	Glass	30,000 hrs	20 pcs
LED 9/T8SG 0.6m/830/220-240V/G3	9W	220-240V	850 lm	94 LPW	3000K	Ra≥80	>0.5	600 mm	Glass	30,000 hrs	20 pcs
LED 9/T8SG 0.6m/840/220-240V/G3	9W	220-240V	900 lm	100 LPW	4000K	Ra≥80	>0.5	600 mm	Glass	30,000 hrs	20 pcs
LED 9/T8SG 0.6m/865/220-240V/G3	9W	220-240V	900 lm	100 LPW	6500K	Ra≥80	>0.5	600 mm	Glass	30,000 hrs	20 pcs
LED 18/T8SG 1.2m/830/220-240V/G3	18W	220-240V	1650 lm	92 LPW	3000K	Ra≥80	>0.5	1200 mm	Glass	30,000 hrs	20 pcs
LED 18/T8SG 1.2m/840/220-240V/G3	18W	220-240V	1800 lm	100 LPW	4000K	Ra≥80	>0.5	1200 mm	Glass	30,000 hrs	20 pcs
LED 18/T8SG 1.2m/865/220-240V/G3	18W	220-240V	1800 lm	100 LPW	6500K	Ra≥80	>0.5	1200 mm	Glass	30,000 hrs	20 pcs
LED 22/T8SG 1.2m/830/220-240V/G3	22W	220-240V	2000 lm	91 LPW	3000K	Ra≥80	>0.5	1200 mm	Glass	30,000 hrs	20 pcs
LED 22/T8SG 1.2m/840/220-240V/G3	22W	220-240V	2200 lm	100 LPW	4000K	Ra≥80	>0.5	1200 mm	Glass	30,000 hrs	20 pcs
LED 22/T8SG 1.2m/865/220-240V/G3	22W	220-240V	2200 lm	100 LPW	6500K	Ra≥80	>0.5	1200 mm	Glass	30,000 hrs	20 pcs
LED 18/T8SG 1.2m/840/220-240V/HE/HP/G2	18W	220-240V	2700 lm	150 LPW	4000K	Ra≥80	>0.9	1200 mm	Glass	30,000 hrs	20 pcs
LED 18/T8SG 1.2m/865/220-240V/HE/HP/G2	18W	220-240V	2700 lm	150 LPW	6500K	Ra≥80	>0.9	1200 mm	Glass	30,000 hrs	20 pcs
SG 18W/T8 1200mm/840/220-240V/HP	18W	220-240V	2100 lm	117 LPW	4000K	Ra≥80	>0.9	1200 mm	Glass	30,000 hrs	20 pcs
SG 18W/T8 1200mm/865/220-240V/HP	18W	220-240V	2100 lm	117 LPW	6500K	Ra≥80	>0.9	1200 mm	Glass	30,000 hrs	20 pcs
SG 18W/T8 1200mm/840/220-240V/HP/V2	18W	220-240V	2400 lm	133 LPW	4000K	Ra≥80	>0.9	1200 mm	Glass	30,000 hrs	20 pcs
SG 18W/T8 1200mm/865/220-240V/HP/V2	18W	220-240V	2400 lm	133 LPW	6500K	Ra≥80	>0.9	1200 mm	Glass	30,000 hrs	20 pcs

The above is only including a part of product info. Please consult us if any further product info is needed.



VG Order Description

Description	Power	Voltage	Lumens	Efficacy	CCT	CRI	P.F	Length	Material	Life Time	QTY/CTN
LED 8/T8VG 0.6m/830/100-240V/G2	8W	100-240V	1000 lm	125 LPW	3000K	Ra≥80	>0.9	600 mm	Glass	50,000 hrs	30 pcs
LED 8/T8VG 0.6m/840/100-240V/G2	8W	100-240V	1050 lm	131 LPW	4000K	Ra≥80	>0.9	600 mm	Glass	50,000 hrs	30 pcs
LED 8/T8VG 0.6m/865/100-240V/G2	8W	100-240V	1050 lm	131 LPW	6500K	Ra≥80	>0.9	600 mm	Glass	50,000 hrs	30 pcs
LED 14/T8VG 1.2m/830/100-240V/G2	14W	100-240V	1700 lm	121 LPW	3000K	Ra≥80	>0.9	1200 mm	Glass	50,000 hrs	30 pcs
LED 14/T8VG 1.2m/840/100-240V/G2	14W	100-240V	1800 lm	129 LPW	4000K	Ra≥80	>0.9	1200 mm	Glass	50,000 hrs	30 pcs
LED 14/T8VG 1.2m/865/100-240V/G2	14W	100-240V	1800 lm	129 LPW	6500K	Ra≥80	>0.9	1200 mm	Glass	50,000 hrs	30 pcs
LED 17/T8VG 1.2m/830/100-240V/G2	17W	100-240V	2100 lm	124 LPW	3000K	Ra≥80	>0.9	1200 mm	Glass	50,000 hrs	30 pcs
LED 17/T8VG 1.2m/840/100-240V/G2	17W	100-240V	2200 lm	129 LPW	4000K	Ra≥80	>0.9	1200 mm	Glass	50,000 hrs	30 pcs
LED 17/T8VG 1.2m/865/100-240V/G2	17W	100-240V	2200 lm	129 LPW	6500K	Ra≥80	>0.9	1200 mm	Glass	50,000 hrs	30 pcs

The above is only including a part of product info. Please consult us if any further product info is needed.

Order Logic

PROD. ID	Power	Type	Length	CRI	CCT	Voltage	Lamp Base	Control
TOP	15W:15W	T8	600mm: T8 size 2ft	7:Ra≥70	30: 3000K	220-240V	G13: G13 endcap	MS:
BET		T5	1200mm: T8 size 4ft	8:Ra≥80	40: 4000K		G5: G5 endcap	Motion
PG			1163mm: T5 size 4ft		65: 6500K		Double capped	Sensor
DG								
MWT								

TOP Order Description

Description	Power	Voltage	Lumens	Efficacy	CCT	CRI	P.F	Length	Material	Life Time	QTY/CTN
TOP 12.5W/T8 1200mm/830/220-240V	12.5W	220-240V	1950 lm	156 LPW	3000K	Ra≥80	>0.9	1200 mm	Plastic	50,000 hrs	30 pcs
TOP 12.5W/T8 1200mm/840/220-240V	12.5W	220-240V	2100 lm	168 LPW	4000K	Ra≥80	>0.9	1200 mm	Plastic	50,000 hrs	30 pcs
TOP 12.5W/T8 1200mm/865/220-240V	12.5W	220-240V	2100 lm	168 LPW	6500K	Ra≥80	>0.9	1200 mm	Plastic	50,000 hrs	30 pcs
TOP 15W/T8 1200mm/830/220-240V	15W	220-240V	2300 lm	153 LPW	3000K	Ra≥80	>0.9	1200 mm	Plastic	50,000 hrs	30 pcs
TOP 15W/T8 1200mm/840/220-240V	15W	220-240V	2500 lm	167 LPW	4000K	Ra≥80	>0.9	1200 mm	Plastic	50,000 hrs	30 pcs
TOP 15W/T8 1200mm/865/220-240V	15W	220-240V	2500 lm	167 LPW	6500K	Ra≥80	>0.9	1200 mm	Plastic	50,000 hrs	30 pcs
TOP 20W/T8 1200mm/830/220-240V	20W	220-240V	3100 lm	155 LPW	3000K	Ra≥80	>0.9	1200 mm	Plastic	50,000 hrs	30 pcs
TOP 20W/T8 1200mm/840/220-240V	20W	220-240V	3300 lm	165 LPW	4000K	Ra≥80	>0.9	1200 mm	Plastic	50,000 hrs	30 pcs
TOP 20W/T8 1200mm/865/220-240V	20W	220-240V	3300 lm	165 LPW	6500K	Ra≥80	>0.9	1200 mm	Plastic	50,000 hrs	30 pcs
TOP 6W/T8 600mm/830/220-240V	6W	220-240V	900 lm	150 LPW	3000K	Ra≥80	>0.9	600 mm	Plastic	50,000 hrs	30 pcs
TOP 6W/T8 600mm/840/220-240V	6W	220-240V	1000 lm	167 LPW	4000K	Ra≥80	>0.9	600 mm	Plastic	50,000 hrs	30 pcs
TOP 6W/T8 600mm/865/220-240V	6W	220-240V	1000 lm	167 LPW	6500K	Ra≥80	>0.9	600 mm	Plastic	50,000 hrs	30 pcs
TOP 8W/T8 600mm/830/220-240V	8W	220-240V	1250 lm	156 LPW	3000K	Ra≥80	>0.9	600 mm	Plastic	50,000 hrs	30 pcs
TOP 8W/T8 600mm/840/220-240V	8W	220-240V	1300 lm	163 LPW	4000K	Ra≥80	>0.9	600 mm	Plastic	50,000 hrs	30 pcs
TOP 8W/T8 600mm/865/220-240V	8W	220-240V	1300 lm	163 LPW	6500K	Ra≥80	>0.9	600 mm	Plastic	50,000 hrs	30 pcs
TOP 10W/T8 600mm/830/220-240V	10W	220-240V	1550 lm	155 LPW	3000K	Ra≥80	>0.9	600 mm	Plastic	50,000 hrs	30 pcs
TOP 10W/T8 600mm/840/220-240V	10W	220-240V	1650 lm	165 LPW	4000K	Ra≥80	>0.9	600 mm	Plastic	50,000 hrs	30 pcs
TOP 10W/T8 600mm/865/220-240V	10W	220-240V	1650 lm	165 LPW	6500K	Ra≥80	>0.9	600 mm	Plastic	50,000 hrs	30 pcs
TOP 12.5W/T8 1163mm/830/220-240V/G5	12.5W	220-240V	1950 lm	156 LPW	3000K	Ra≥80	>0.9	1163 mm	Plastic	50,000 hrs	30 pcs
TOP 12.5W/T8 1163mm/840/220-240V/G5	12.5W	220-240V	2100 lm	168 LPW	4000K	Ra≥80	>0.9	1163 mm	Plastic	50,000 hrs	30 pcs
TOP 12.5W/T8 1163mm/865/220-240V/G5	12.5W	220-240V	2100 lm	168 LPW	6500K	Ra≥80	>0.9	1163 mm	Plastic	50,000 hrs	30 pcs
TOP 15W/T8 1163mm/830/220-240V/G5	15W	220-240V	2300 lm	153 LPW	3000K	Ra≥80	>0.9	1163 mm	Plastic	50,000 hrs	30 pcs
TOP 15W/T8 1163mm/840/220-240V/G5	15W	220-240V	2500 lm	167 LPW	4000K	Ra≥80	>0.9	1163 mm	Plastic	50,000 hrs	30 pcs
TOP 15W/T8 1163mm/865/220-240V/G5	15W	220-240V	2500 lm	167 LPW	6500K	Ra≥80	>0.9	1163 mm	Plastic	50,000 hrs	30 pcs
TOP 20W/T8 1163mm/830/220-240V/G5	20W	220-240V	3100 lm	155 LPW	3000K	Ra≥80	>0.9	1163 mm	Plastic	50,000 hrs	30 pcs
TOP 20W/T8 1163mm/840/220-240V/G5	20W	220-240V	3300 lm	165 LPW	4000K	Ra≥80	>0.9	1163 mm	Plastic	50,000 hrs	30 pcs
TOP 20W/T8 1163mm/865/220-240V/G5	20W	220-240V	3300 lm	165 LPW	6500K	Ra≥80	>0.9	1163 mm	Plastic	50,000 hrs	30 pcs

The above is only including a part of product info. Please consult us if any further product info is needed.



BET Order Description

Description	Power	Voltage	Lumens	Efficacy	CCT	CRI	P.F	Length	Material	Life Time	QTY/CTN
BET 10.5W/T8 1200mm/830/220-240V	10.5W	220-240V	1500 lm	143 LPW	3000K	Ra≥80	>0.9	1200 mm	Plastic	30,000 hrs	30 pcs
BET 10.5W/T8 1200mm/840/220-240V	10.5W	220-240V	1600 lm	152 LPW	4000K	Ra≥80	>0.9	1200 mm	Plastic	30,000 hrs	30 pcs
BET 10.5W/T8 1200mm/865/220-240V	10.5W	220-240V	1600 lm	152 LPW	6500K	Ra≥80	>0.9	1200 mm	Plastic	30,000 hrs	30 pcs
BET 14.5W/T8 1200mm/830/220-240V	14.5W	220-240V	2100 lm	145 LPW	3000K	Ra≥80	>0.9	1200 mm	Plastic	30,000 hrs	30 pcs
BET 14.5W/T8 1200mm/840/220-240V	14.5W	220-240V	2200 lm	152 LPW	4000K	Ra≥80	>0.9	1200 mm	Plastic	30,000 hrs	30 pcs
BET 14.5W/T8 1200mm/865/220-240V	14.5W	220-240V	2200 lm	152 LPW	6500K	Ra≥80	>0.9	1200 mm	Plastic	30,000 hrs	30 pcs
BET 26W/T8 1200mm/830/220-240V	26W	220-240V	3800 lm	146 LPW	3000K	Ra≥80	>0.9	1200 mm	Plastic	30,000 hrs	30 pcs
BET 26W/T8 1200mm/840/220-240V	26W	220-240V	4000 lm	154 LPW	4000K	Ra≥80	>0.9	1200 mm	Plastic	30,000 hrs	30 pcs
BET 26W/T8 1200mm/865/220-240V	26W	220-240V	4000 lm	154 LPW	6500K	Ra≥80	>0.9	1200 mm	Plastic	30,000 hrs	30 pcs
BET 6W/T8 600mm/830/220-240V	6W	220-240V	850 lm	142 LPW	3000K	Ra≥80	>0.9	600 mm	Plastic	30,000 hrs	30 pcs
BET 6W/T8 600mm/840/220-240V	6W	220-240V	900 lm	150 LPW	4000K	Ra≥80	>0.9	600 mm	Plastic	30,000 hrs	30 pcs
BET 6W/T8 600mm/865/220-240V	6W	220-240V	900 lm	150 LPW	6500K	Ra≥80	>0.9	600 mm	Plastic	30,000 hrs	30 pcs
BET 8W/T8 600mm/830/220-240V	8W	220-240V	1150 lm	144 LPW	3000K	Ra≥80	>0.9	600 mm	Plastic	30,000 hrs	30 pcs
BET 8W/T8 600mm/840/220-240V	8W	220-240V	1200 lm	150 LPW	4000K	Ra≥80	>0.9	600 mm	Plastic	30,000 hrs	30 pcs
BET 8W/T8 600mm/865/220-240V	8W	220-240V	1200 lm	150 LPW	6500K	Ra≥80	>0.9	600 mm	Plastic	30,000 hrs	30 pcs
BET 10W/T8 600mm/830/220-240V	10W	220-240V	1450 lm	145 LPW	3000K	Ra≥80	>0.9	600 mm	Plastic	30,000 hrs	30 pcs
BET 10W/T8 600mm/840/220-240V	10W	220-240V	1500 lm	150 LPW	4000K	Ra≥80	>0.9	600 mm	Plastic	30,000 hrs	30 pcs
BET 10W/T8 600mm/865/220-240V	10W	220-240V	1500 lm	150 LPW	6500K	Ra≥80	>0.9	600 mm	Plastic	30,000 hrs	30 pcs
BET 26W/T8 1163mm/865/220-240V/G5	26W	220-240V	4000 lm	154 LPW	6500K	Ra≥80	>0.9	1163 mm	Plastic	30,000 hrs	30 pcs

TOP T5 Order Description

Description	Power	Voltage	Lumens	Efficacy	CCT	CRI	Length	Material	Life Time	QTY/CTN
TOP 16W/T5 1163mm/830/220-240V/G5	16W	220-240V	1800 lm	112 LPW	3000K	Ra≥80	1163 mm	Glass	50,000 hrs	20 pcs
TOP 16W/T5 1163mm/840/220-240V/G5	16W	220-240V	2000 lm	125 LPW	4000K	Ra≥80	1163 mm	Glass	50,000 hrs	20 pcs
TOP 16W/T5 1163mm/865/220-240V/G5	16W	220-240V	2000 lm	125 LPW	6500K	Ra≥80	1163 mm	Glass	50,000 hrs	20 pcs
TOP 20W/T5 1163mm/830/220-240V/G5	20W	220-240V	2200 lm	110 LPW	3000K	Ra≥80	1163 mm	Glass	50,000 hrs	20 pcs
TOP 20W/T5 1163mm/840/220-240V/G5	20W	220-240V	2400 lm	120 LPW	4000K	Ra≥80	1163 mm	Glass	50,000 hrs	20 pcs
TOP 20W/T5 1163mm/865/220-240V/G5	20W	220-240V	2400 lm	120 LPW	6500K	Ra≥80	1163 mm	Glass	50,000 hrs	20 pcs
TOP 20W/T5 1163mm/840/220-240V/G5/HP	20W	220-240V	2400 lm	120 LPW	4000K	Ra≥80	1163 mm	Glass	30,000 hrs	30 pcs

The above is only including a part of product info. Please consult us if any further product info is needed.

PG Order Description

Description	Power	Voltage	Lumens	Efficacy	CCT	CRI	P.F	Length	Material	Life Time	QTY/CTN
PG 5.5W/T8 600mm/830/220-240V	5.5W	220-240V	750 lm	136 LPW	3000K	Ra≥80	>0.9	600 mm	Glass	50,000 hrs	20 pcs
PG 5.5W/T8 600mm/840/220-240V	5.5W	220-240V	800 lm	145 LPW	4000K	Ra≥80	>0.9	600 mm	Glass	50,000 hrs	20 pcs
PG 5.5W/T8 600mm/865/220-240V	5.5W	220-240V	800 lm	145 LPW	6500K	Ra≥80	>0.9	600 mm	Glass	50,000 hrs	20 pcs
PG 9W/T8 600mm/830/220-240V	9W	220-240V	1300 lm	144 LPW	3000K	Ra≥80	>0.9	600 mm	Glass	50,000 hrs	20 pcs
PG 9W/T8 600mm/840/220-240V	9W	220-240V	1400 lm	156 LPW	4000K	Ra≥80	>0.9	600 mm	Glass	50,000 hrs	20 pcs
PG 9W/T8 600mm/865/220-240V	9W	220-240V	1400 lm	156 LPW	6500K	Ra≥80	>0.9	600 mm	Glass	50,000 hrs	20 pcs
PG 10W/T8 1200mm/830/220-240V	10W	220-240V	1500 lm	150 LPW	3000K	Ra≥80	>0.9	1200 mm	Glass	50,000 hrs	20 pcs
PG 10W/T8 1200mm/840/220-240V	10W	220-240V	1650 lm	165 LPW	4000K	Ra≥80	>0.9	1200 mm	Glass	50,000 hrs	20 pcs
PG 10W/T8 1200mm/865/220-240V	10W	220-240V	1650 lm	165 LPW	6500K	Ra≥80	>0.9	1200 mm	Glass	50,000 hrs	20 pcs
PG 13W/T8 1200mm/830/220-240V	13W	220-240V	1800 lm	138 LPW	3000K	Ra≥80	>0.9	1200 mm	Glass	50,000 hrs	20 pcs
PG 13W/T8 1200mm/840/220-240V	13W	220-240V	2000 lm	154 LPW	4000K	Ra≥80	>0.9	1200 mm	Glass	50,000 hrs	20 pcs
PG 13W/T8 1200mm/865/220-240V	13W	220-240V	2000 lm	154 LPW	6500K	Ra≥80	>0.9	1200 mm	Glass	50,000 hrs	20 pcs
PG 16W/T8 1200mm/830/220-240V	16W	220-240V	2300 lm	144 LPW	3000K	Ra≥80	>0.9	1200 mm	Glass	50,000 hrs	20 pcs
PG 16W/T8 1200mm/840/220-240V	16W	220-240V	2500 lm	156 LPW	4000K	Ra≥80	>0.9	1200 mm	Glass	50,000 hrs	20 pcs
PG 16W/T8 1200mm/865/220-240V	16W	220-240V	2500 lm	156 LPW	6500K	Ra≥80	>0.9	1200 mm	Glass	50,000 hrs	20 pcs
PG 18W/T8 1200mm/830/220-240V	18W	220-240V	2500 lm	139 LPW	3000K	Ra≥80	>0.9	1200 mm	Glass	50,000 hrs	20 pcs
PG 18W/T8 1200mm/840/220-240V	18W	220-240V	2700 lm	150 LPW	4000K	Ra≥80	>0.9	1200 mm	Glass	50,000 hrs	20 pcs
PG 18W/T8 1200mm/865/220-240V	18W	220-240V	2700 lm	150 LPW	6500K	Ra≥80	>0.9	1200 mm	Glass	50,000 hrs	20 pcs

DG Order Description

Description	Power	Voltage	Lumens	Efficacy	CCT	CRI	P.F	Length	Material	Wiring	Life Time	QTY/CTN
DG 10W/T8 600mm/730/220-240V/DS	10W	220-240V	850 lm	85 LPW	3000K	Ra≥70	>0.5	600 mm	Glass	Double capped	15,000 hrs	20 pcs
DG 10W/T8 600mm/740/220-240V/DS	10W	220-240V	900 lm	90 LPW	4000K	Ra≥70	>0.5	600 mm	Glass	Double capped	15,000 hrs	20 pcs
DG 10W/T8 600mm/765/220-240V/DS	10W	220-240V	900 lm	90 LPW	6500K	Ra≥70	>0.5	600 mm	Glass	Double capped	15,000 hrs	20 pcs
DG 20W/T8 1200mm/730/220-240V/DS	20W	220-240V	2000 lm	100 LPW	3000K	Ra≥70	>0.5	1200 mm	Glass	Double capped	15,000 hrs	20 pcs
DG 20W/T8 1200mm/740/220-240V/DS	20W	220-240V	2100 lm	105 LPW	4000K	Ra≥70	>0.5	1200 mm	Glass	Double capped	15,000 hrs	20 pcs
DG 20W/T8 1200mm/765/220-240V/DS	20W	220-240V	2100 lm	105 LPW	6500K	Ra≥70	>0.5	1200 mm	Glass	Double capped	15,000 hrs	20 pcs

MWT Order Description

Description	Power	Voltage	Lumens	Efficacy	CCT	CRI	P.F	Length	Material	Life Time	QTY/CTN
MWT 16W/T8 1200mm/830/220-240V	16W	220-240V	1700 lm	106 LPW	3000K	Ra≥80	>0.9	1200 mm	Glass	30,000 hrs	25 pcs
MWT 16W/T8 1200mm/840/220-240V	16W	220-240V	1800 lm	113 LPW	4000K	Ra≥80	>0.9	1200 mm	Glass	30,000 hrs	25 pcs
MWT 16W/T8 1200mm/865/220-240V	16W	220-240V	1800 lm	113 LPW	6500K	Ra≥80	>0.9	1200 mm	Glass	30,000 hrs	25 pcs

The above is only including a part of product info. Please consult us if any further product info is needed.



Order Logic

PROD.ID	Power	Type	GO	Material
F: Fluorescent lamp	28W:28W	T8 T5	GO:Golden Lamp	CVG: covRguard




Order Description

Description	Power	Lumens*	Length	Material	Life Time	QTY/CTN
F28WT5/GO/CVG	28W	1900 lm	1163 mm	Plastic Coated Glass Tube	20,000 hrs	30 pcs
F36WT8/GO/CVG	36W	2470 lm	1200 mm	Plastic Coated Glass Tube	18,000 hrs	30 pcs
F38WT8/GO/CVG	38W	2400 lm	1061 mm	Plastic Coated Glass Tube	18,000 hrs	30 pcs
F58WT8/GO/CVG	58W	3850 lm	1500 mm	Plastic Coated Glass Tube	18,000 hrs	30 pcs

*The lumen data is based on reference ballast, Ta=25°C

The above is only including a part of product info. Please consult us if any further product info is needed.

Order Logic

PROD. ID	Power	Type	Length	Voltage	LED	PC	Lamp Base
GLD: LED Golden Lamp	16W:16W	T8	1163 mm: T5 size 4ft	100-240V	WY: White LED+Yellow PC cove	PC= Plastic	G13 
	18W:18W	T5	1200mm: T8 size 4ft		YY: Yellow LED+Yellow PC cover		G5A  G5B 

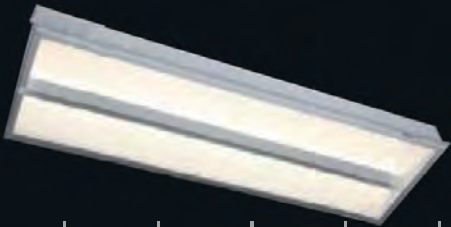
Order Description

Description	Power	Voltage	Lumens	Efficacy	P.F	Length	Material	Life Time	QTY/CTN
GLD 16W/T8 1200mm/100-240V/WY	16W	100-240V	1700 lm	105 LPW	>0.9	1200mm	Plastic+Aluminum	30,000 hrs	25 pcs
GLD 18W/T8 1200mm/100-240V/WY	18W	100-240V	1900 lm	105 LPW	>0.9	1200mm	Plastic+Aluminum	30,000 hrs	25 pcs
GLD 16W/T8 1200mm/100-240V/YY	16W	100-240V	2000 lm	125 LPW	>0.9	1200mm	Plastic+Aluminum	30,000 hrs	25 pcs
GLD 18W/T8 1200mm/100-240V/YY	18W	100-240V	2200 lm	125 LPW	>0.9	1200mm	Plastic+Aluminum	30,000 hrs	25 pcs
GLD 16W/T8 1163mm/100-240V/WYG5A	16W	100-240V	1700 lm	105 LPW	>0.9	1163mm	Plastic+Aluminum	30,000 hrs	25 pcs
GLD 18W/T8 1163mm/100-240V/WYG5A	18W	100-240V	1900 lm	105 LPW	>0.9	1163mm	Plastic+Aluminum	30,000 hrs	25 pcs
GLD 16W/T8 1163mm/100-240V/YYG5A	16W	100-240V	2000 lm	125 LPW	>0.9	1163mm	Plastic+Aluminum	30,000 hrs	25 pcs
GLD 18W/T8 1163mm/100-240V/YYG5A	18W	100-240V	2200 lm	125 LPW	>0.9	1163mm	Plastic+Aluminum	30,000 hrs	25 pcs
GLD 16W/T8 1163mm/100-240V/WYG5B	16W	100-240V	1700 lm	105 LPW	>0.9	1163mm	Plastic+Aluminum	30,000 hrs	25 pcs
GLD 18W/T8 1163mm/100-240V/WYG5B	18W	100-240V	1900 lm	105 LPW	>0.9	1163mm	Plastic+Aluminum	30,000 hrs	25 pcs
GLD 16W/T8 1163mm/100-240V/YYG5B	16W	100-240V	2000 lm	125 LPW	>0.9	1163mm	Plastic+Aluminum	30,000 hrs	25 pcs
GLD 18W/T8 1163mm/100-240V/YYG5B	18W	100-240V	2200 lm	125 LPW	>0.9	1163mm	Plastic+Aluminum	30,000 hrs	25 pcs
GLD 18W/T8 1200mm/100-240V/WY/PC	18W	100-240V	2000 lm	110 LPW	>0.9	1200mm	Plastic	30,000 hrs	30 pcs
GLD 20W/T8 1200mm/100-240V/WY/PC	20W	100-240V	2200 lm	110 LPW	>0.9	1200mm	Plastic	30,000 hrs	30 pcs
GLD 18W/T8 1200mm/100-240V/WY/PC/G5	18W	100-240V	2000 lm	110 LPW	>0.9	1163mm	Plastic	30,000 hrs	30 pcs
GLD 20W/T8 1200mm/100-240V/WY/PC/G5	20W	100-240V	2200 lm	110 LPW	>0.9	1163mm	Plastic	30,000 hrs	30 pcs

The above is only including a part of product info. Please consult us if any further product info is needed.

Daintree

WIRELESS CONTROLS



Current @

You're in control

With energy codes and regulations changing from state to state and country to country, picking the right lighting controls solution can seem like a daunting challenge. There isn't a single solution that addresses the unique needs of each lighting project. The result? Networks are forced to choose between cost effective and feature-rich systems. Since most lighting solutions are static, facility managers are stuck with a system that can't evolve as network priorities shift and building technologies evolve.

That changes today with **Daintree** wireless and **LightSweep** wired control systems from **Current Lighting**.

While both systems meet code compliance and offer advantages based on specific situational needs, Daintree wireless is the future-proofed, scalable, feature-rich option that can be upgraded at any time to deliver smart building applications. Today, we have deployed and activated over 300 million square footage of Daintree Wireless controls in buildings all over the world. Whether choosing wired or wireless products, our comprehensive offering has you covered now and in the future.

Product Features

Daintree® Wireless Controls:

There is no one size fits all for wireless controls. Some networks want simple solutions that reduce energy consumption and meet code compliance while others are more ambitious, looking to capitalize on the LED and controls savings to fund a scalable, enterprise-grade, internet of things solution. The advantage of the Daintree Wireless platform is its ability to integrate into indoor, outdoor and high bay environments.

The Daintree Wireless Controls provide the infrastructure to future proof your buildings, easily upgrade to Networked solutions and provide the ability to integrate into IoT solutions that are right for your business.

- **Daintree One:** Standalone Wireless Controls
- **Daintree EZ Connect:** Room-Based Wireless Lighting Controls
- **Daintree Networked:** Networked Lighting Controls for Smart Building & IoT Enablement



Daintree One

For locations that don't require lighting coordination and communication, Daintree One offers single fixture controls for each luminaire. Whether it is a small room, warehouse or a simple deployment, Daintree One is Current's most simple and cost effective solution. With the ability to wirelessly upgrade to a Daintree EZ Connect or Daintree Networked solution, Daintree One is a great entry level sensor that allows application spaces, such as manufacturing, warehouses or big box retailers to build the infrastructure for powering your intelligent environment.

WIRELESS INTEGRATED HIGH BAY SENSOR (WHS20)

The WHS20 uses a WHR1 remote control to easily commission High Bay lighting, such as the Albeo ABV3 series.



FEATURES AND BENEFITS

- **Simplicity:** Integration with fixtures reduces deployment complexity with fewer devices to manage.
- **Upgradable:** The Daintree ONE platform can be upgraded to other Daintree platforms with an over-the-air update to increase features and functionality.
- **Independent Control:** Each sensor can be controlled independently.
- **Pre-Programmed:** Sensors are pre-programmed at the factory, reducing install time.
- **Dynamic:** Sensor responds to both occupancy, as well as daylight.

Ambient Light Control Example



Daintree EZ Connect

For application spaces in need of a system that is simple, easy to install, and code compliant, Current offers Daintree EZ Connect, our mobile app based wireless controls system that provides zonal control and commissioning of lighting systems. The Daintree EZ Connect mobile app and integrated sensors allow customers to zone lighting fixtures. This simple tool can dramatically decrease the installation time and expertise required to commission a room-based lighting controls system for deployments of all sizes and complexities.

WIRELESS INTEGRATED SENSOR (WIT100)

The WIT100 is an integrated occupancy and photosensor utilizing passive infrared (PIR) sensing technology to detect movement. Connected directly to the fixture, the WIT100 responds to real-time occupancy events, and monitors and measures task or ambient light levels.



FEATURES AND BENEFITS

- **Easy Deployment:** Mobile app simplifies and reduces the installation process, minimizing disruption to enterprise operations.
- **Zoned Communication:** Fixtures can be zoned and the sensors talk to each other to react in concert with each other to occupancy and daylight.
- **Simplicity:** Integration with fixtures reduces deployment complexity with fewer devices to manage.
- **Room Based Control:** Customize the lighting parameters to the task that is being performed in the application space.
- **Code Compliant:** Integrated wireless sensors offer daylight harvesting and granular lighting controls.
- **Simple Installation:**

Designed for a group of localized fixtures that communicate to each other.

Wireless lighting controls are setup and controlled by the Daintree EZ Connect mobile app, easily downloaded from the Apple iOS app store.

- **Maintenance Free:**

the integrated WIT100 sensor is embedded into the fixture and the self-powered wireless switch (ZBT-S1AWH) do not require the use of batteries, which eliminates the need for regular maintenance scheduling.



Daintree Networked

Daintree Networked provides the infrastructure for feature-rich commercial lighting control for LED lighting. The Daintree Networked system also allows interconnectivity with other systems like HVAC, Plug Load control, fans, water heaters, air compressors and refrigeration units. The Daintree Networked platform allows building owners and managers the ability to monitor and resolve energy performance with the Daintree apps. Daintree Networked allows customers to go beyond lighting control and into the world of IoT. Daintree Networked works with ISV technology partners to provide app based data collecting programs like heat mapping, people counting, asset tracking and location based services.



FEATURES AND BENEFITS

- **Energy Reduction:** Up to 70% lighting energy savings across lighting assets with additional energy saving from HVAC, plug load, and fans optimization.
- **Regulatory Compliance:** Title 24; Energy Policy Act; Energy Independence and Security Act; DOE Regulations, ASHRAE 90.1-2016, IECC 2015 and IECC 2018.
- **Greater Flexibility:** Open standards enables the network to expand to incorporate additional Daintree certified devices, while providing additional flexibility in the selection of hardware components.
- **Productivity Increases:** Use the same occupancy, environmental, and energy management data for lighting controls to improve space utilization, conference room management, employee comfort and location based services, like asset tracking and wayfinding.



Limited Product Warranty Terms

Current Lighting Solutions, LLC is pleased to provide the following limited warranty to authorized distributors for products direct purchased from Current. Current warrants that these lamps comply with published specifications and are free from defects in material and workmanship for the respective period set forth below.

Product	Product Group	Standard Warranty Term*
Conventional Lamp	HID	1 Year
Fixture (non LED)	In plastic housing	1 Year
	In metal housing	2 Years
Ballast	EMB	3 Years
	ELB	2 Years
	Starter/Ignitor/Capacitor, etc.	2 Years
Specialty	Specialty Lamp	Case by Case
LED	Outdoor (Road lighting)	5 Years
	Indoor Fixture	3 Years
	LED Lamp (excl. A19)	2 Years
	LED Specialty/Signage	5 Years

*The application is no more than 12hrs/day. If more than 12hrs/day, it needs case-by-case review.

Remedy

- Warranty terms vary with each different product line.

In general we offer 20% of the rated life for products which claim a rated life of below 10,000 hrs.

We offer min. 1 year (equals to 4,000 hrs operation time per year, whichever comes first) warranty for products which claim a rated life above 10,000hrs.

Warranty is effective from the date of shipment.

This warranty applies only to products that have been properly stored, installed and maintained, operated with Current specified electrical value, and operated in environmental conditions (temperature, humidity and air movement) within the normal specified operating range of the system.

Terms and Conditions

- The warranty does not apply to failures caused by acts of God or as a result of any abuse, misuse, abnormal use, or used in violation of any applicable standard, code or instructions for use in installations, including but not limited to Standards for the International Electrotechnical Commissions.

Current reserves and has the right to examine failed lamps to determine the cause of failure and patterns of usage.

The dates of lamp installation, complete of acceptance, operation cycle time, type of fixture, and burning position must be provided to establish elapsed burning time.

In no event shall Current be liable for any other costs or damages including lost profits, indirect, special or consequential damages.

